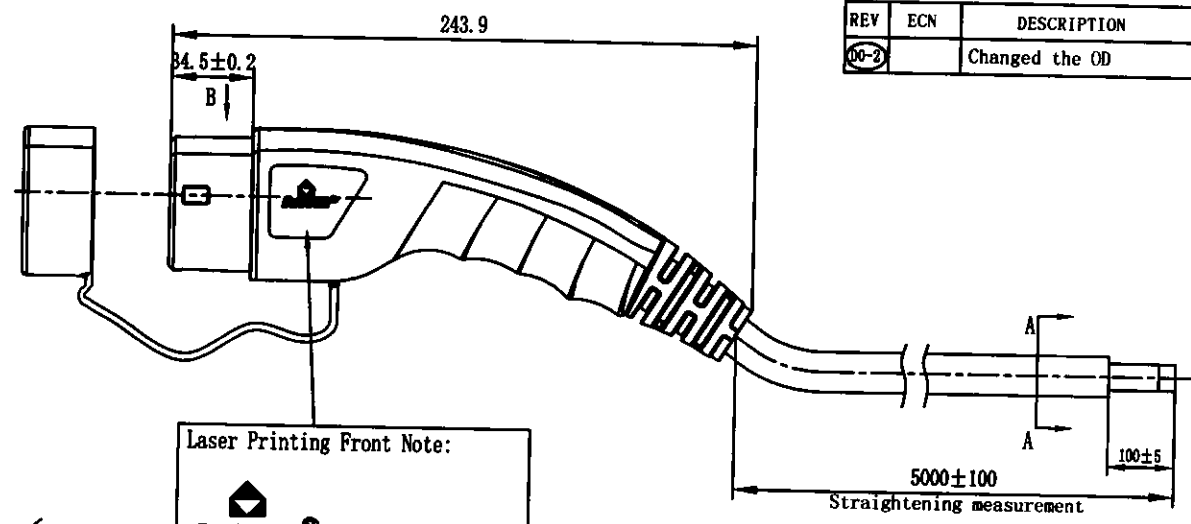
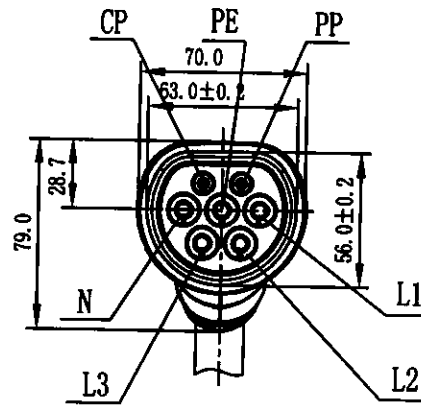
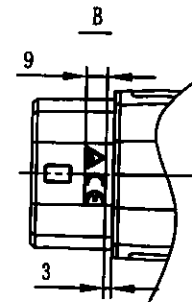
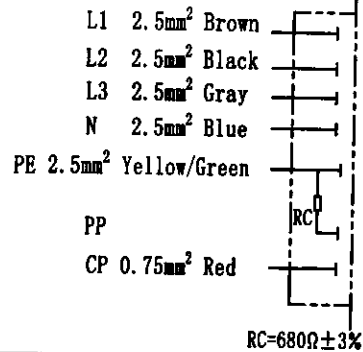


REVISION RECORD				
REV	ECN	DESCRIPTION	DRFT	DATE
00-2		Changed the OD	LLL	2020.04.17



Wiring diagram

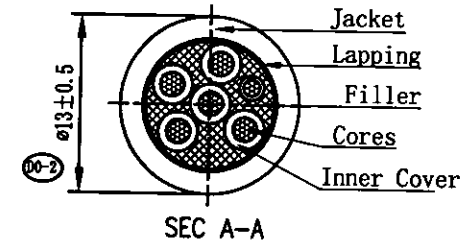


Laser Printing Front Note:

DEGSON

Laser Printing Back Note (Arial):

MEAC-T-016A-V1-03-5.0M-30AH
 16A 440V AC
 IEC 62196-2:2016
 IP54
 20xxxxxx-xxxx



NOTES:

1. Cable: EN50620-2017/IEC62893.3 5*2.5mm²+1*0.75mm² Black
 2. RoHS Compliance

Technical parameters	
Rated voltage	440V AC
Rated current	16A
Temperature range	-30℃~+50℃
Insulate resistance	>5MΩ, 500V DC 1Min
Withstanding voltage	L, N AND PE, 2500V AC 1Min
	L AND N, 2500V AC 1Min
Ingress protection	IP54
The insertion/pullout times	10000 TIMES
Insertion/pullout force	<100N
Reference standard	IEC 62196-2:2016

Customer Drawing

Size Measure Range	.XX	.X
≤6	±0.05	±0.10
6~30	±0.10	±0.20
30~120	±0.15	±0.30
120~400	±0.20	±0.50
400~1000	±0.30	±0.80
1000~2000	±0.50	±1.20
Angle Measure Range	.XX	.X
	±0.5°	±1.0°

PART NO.:	
APPD:	ZX 2020.04.17
CHKD:	DT 2020.4.17
DRFT:	XF LLD 2019-08-06

DEGSON 宁波高松电子有限公司 NINGBO DEGSON ELECTRICAL CO., LTD	
NAME: Vehicle Connector (16A AC three phase) MEAC-T-016A-V1-03-5.0M-30A(H)	
TITLE: Customer Drawing	REV: D0-2
DRAWING NO.:	SHEET: 1/1
(INCH)	DO NOT SCALE DRAWING
SCALE:	1:3

