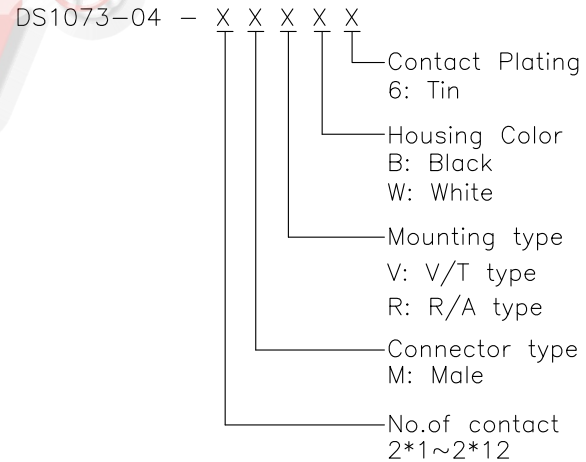


1	2	3	4	5	6	7	8				
A	V/T Type				REV.	DESCRIPTION	DRAWN	CHECKED	APPROVED		
B					A	NEW RELEASE	JLZ 03/11/16'				
C											
D											

NOTES:

1. MAIN SPECIFICATIONS
 - . Housing material: NYLON
 - . Rated voltage: 250V
 - . Rated current: 3A
 - . Contact resistance: $\leq 100m\Omega$
 - . Insulation resistance: $\geq 1000M\Omega$
 - . Withstanding voltage: 500V,AC 1 minute
 - . Temperature range: $-25^{\circ}C \sim +85^{\circ}C$

2. PRODUCT NUMBER CODE:



E	R/A Type																			
F	<p>N=No. of contact/2</p>																			
G	<p>N=No. of contact/2</p>																			
H	<p>GENERAL TOLERANCE</p> <table border="1"> <tr> <td>X.</td> <td>± 0.60</td> <td>X.</td> <td>$\pm 5^{\circ}$</td> </tr> <tr> <td>.X</td> <td>± 0.38</td> <td>.X</td> <td>$\pm 3^{\circ}$</td> </tr> <tr> <td>.XX</td> <td>± 0.25</td> <td>.XX</td> <td>$\pm 2^{\circ}$</td> </tr> </table>		X.	± 0.60	X.	$\pm 5^{\circ}$.X	± 0.38	.X	$\pm 3^{\circ}$.XX	± 0.25	.XX	$\pm 2^{\circ}$	<p>ANGLE TOLERANCE</p>		<p>PROJECTION</p>		<p>TITLE</p> <p>3.0mm MICRO ATX CONNECTOR V/T & V/R Type</p>	
X.	± 0.60	X.	$\pm 5^{\circ}$																	
.X	± 0.38	.X	$\pm 3^{\circ}$																	
.XX	± 0.25	.XX	$\pm 2^{\circ}$																	
<p>DRAWING TYPE</p>		<p>CUSTOMER</p>		<p>UNITS</p> <p>mm</p>		<p>SHEET SIZE</p> <p>A4</p>		<p>SERIES</p> <p>DS1073-04 SERIES</p>												
<p>SCALE</p> <p>1:1</p>		<p>SHEET</p> <p>1 OF 1</p>		<p>DRAWING NO.</p> <p>C-DS1073-04-XXXXX-A</p>		<p>晨翔电子有限公司 CONNFLY CONNFLY ELECTRONIC CO., LTD</p>														

Tel:86-574-63508787
 Fax:86-574-63510817
 E-mail:sales@connfly.com
 http://www.connfly.com
 Add:East Industry Zone KuangYan
 Town Cixi Ningbo China
 C:315333