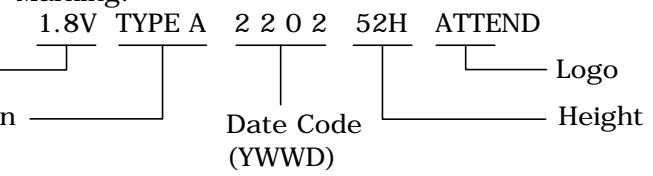


REV.	DESCRIPTION	DRAWN	DATE
1	INITIAL RELEASE	FROS	2012/12/05
2	REVISED FRAME, LAYOUT	FROS	2015/11/05

**SPECIFICATION:**

1. ELECTRICAL
  - 1.1 Current Rating: 0.5A per pin
  - 1.2 Voltage Rating: 20V AC/DC
  - 1.3 Contact Resistance: 60mΩ
  - 1.4 Insulation Resistance: 500MΩ
  - 1.5 Dielectric Withstanding Voltage: 120VAC
2. MECHANICAL
  - 2.1 Durability: 25 Cycle
  - 2.2 Latch Retention Force: 8N/Pos. Min.
3. ENVIRONMENTAL
  - 3.1 Operating temperature range: -40°C~+85°C
  - 3.2 Storage temperature range: -40°C~+85°C
4. SOLDER ABILITY
  - 4.1 Recommended IR Reflow(Wave Soldering) Temperature: 255°C 10 Second

**Marking:**

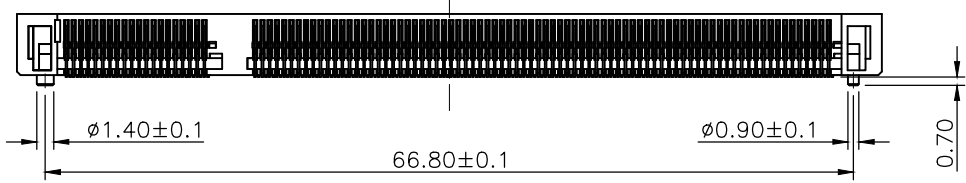
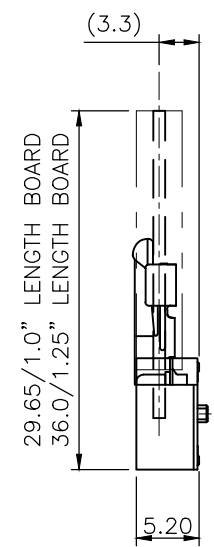
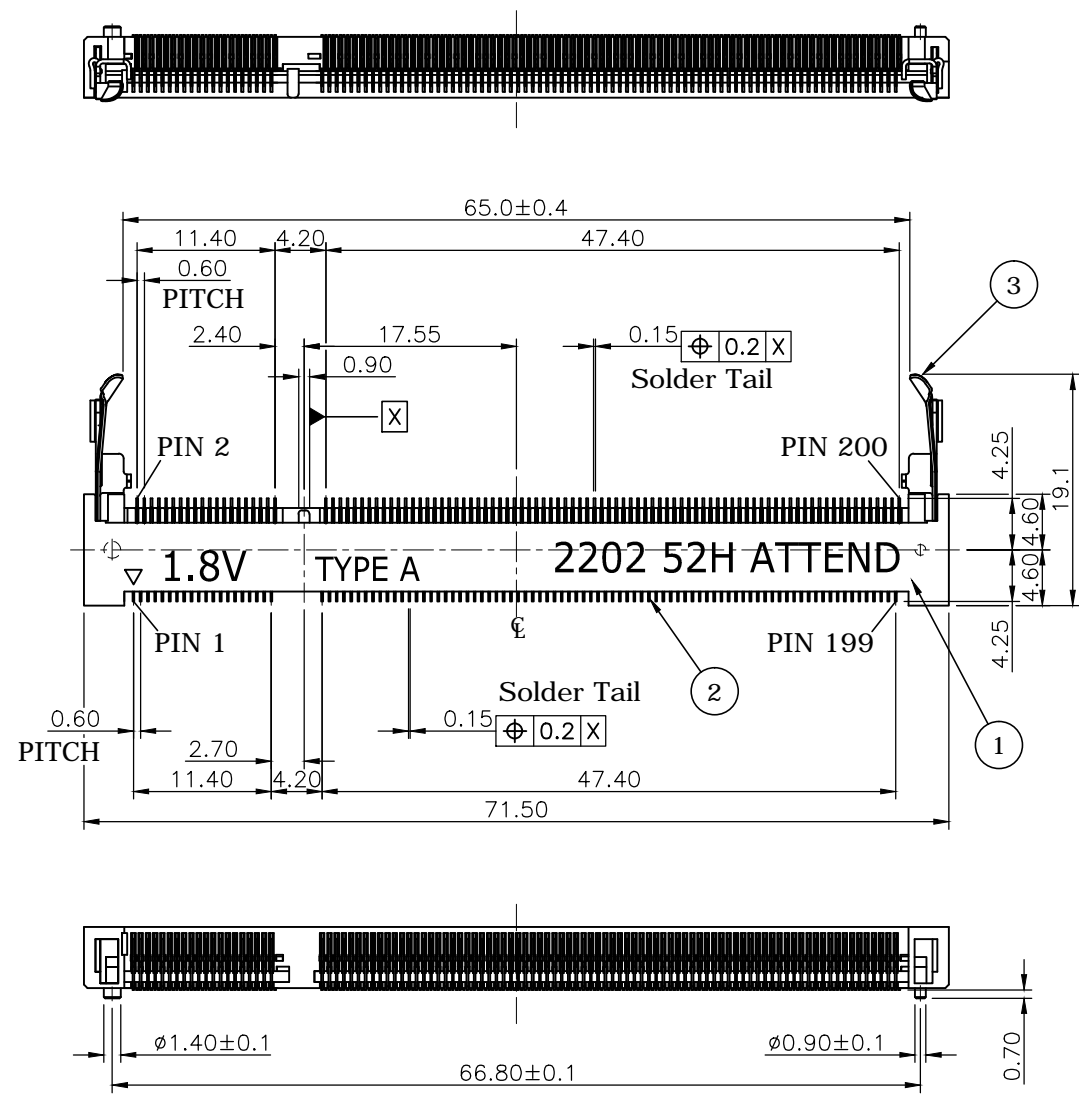


3	Latch	Stainless Steel SUS301
		Phosphor Bronze C5210,
2	Contact	Contact area: Gold Flash
1	Housing	LCP, UL94V-0, Black
NO.	PART NAME	DESCRIPTION

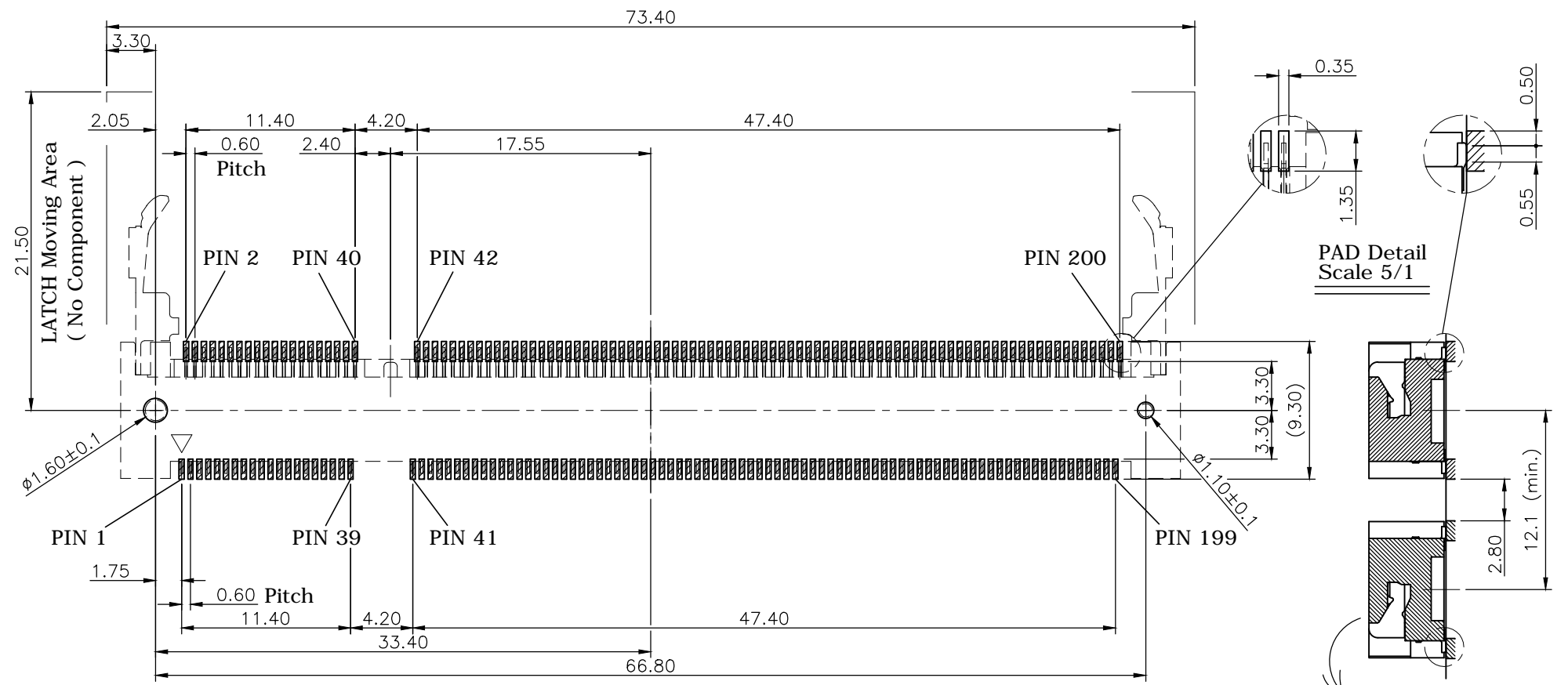
UNLESS OTHERWISE SPECIFIED TOLERANCE			
UNIT:	DECIMAL	LINEAR	ANGLES
mm	X.	±0.50	±5°
	X.X	±0.25	±3°
	X.XX	±0.12	±1°



DRAWN	Willis	2012/12/05	DRAWN NAME:	
CHECKED	Angel	2012/12/05	SO DIMM DDR2 Socket 1.8V 200Pin	
APPROVED	Ken	2012/12/05	PRODUCT NO.	121A-52A00
SCALE	1.6	SHEET	1/5	SIZE
			A4	FILE NAME
				121A-52A00_B_2



REV.	DESCRIPTION	DRAWN	DATE
	see sheet one		



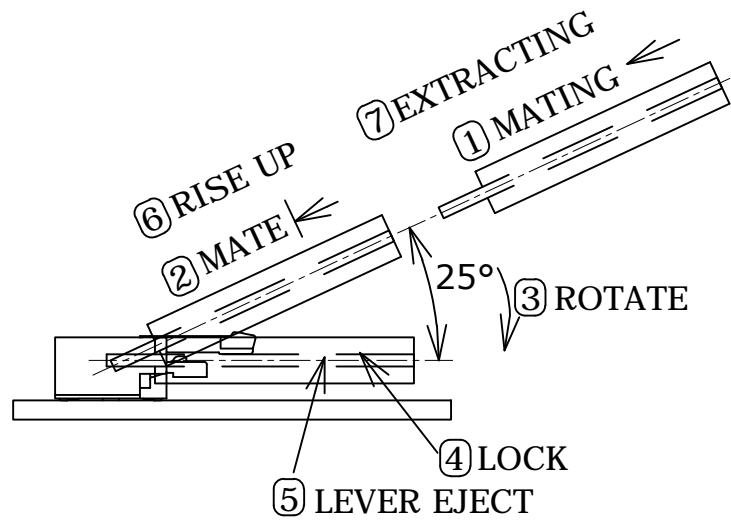
**RECOMMENDED LAYOUT (TOP VIEW)**  
**GENERAL TOLERANCE: ±0.03**

PAD  
 Connector

**Type B (121A-52A10)**  
**(Reverse Orientation)**

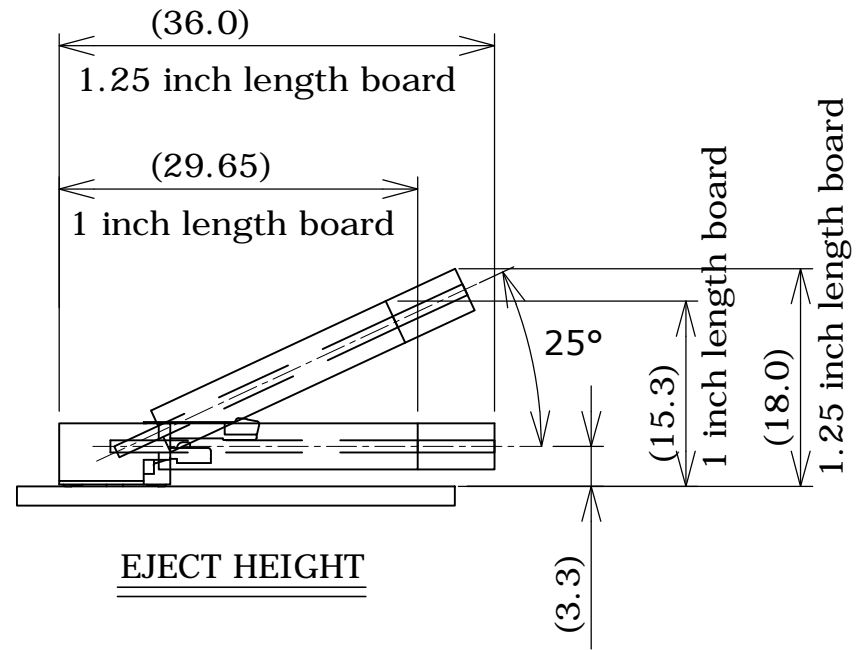
UNLESS OTHERWISE SPECIFIED TOLERANCE				 WWW.ATTEND.COM.TW		
UNIT:	DECIMAL	LINEAR	ANGLES			DRAWN NAME: SO DIMM DDR2 Socket 1.8V 200Pin 5.2H Type, Gold Flash
mm	X.	±0.50	±5°			
	X.X	±0.25	±3°			
	X.XX	±0.12	±1°			
DRAWN	Willis	2012/12/05	DRAWN NAME:			
CHECKED	Angel	2012/12/05	SO DIMM DDR2 Socket 1.8V 200Pin 5.2H Type, Gold Flash			
APPROVED	Ken	2012/12/05	PRODUCT NO.	121A-52A00		
	SCALE 2.5	SHEET 2/5	SIZE A4	FILE NAME	121A-52A00_B_2	


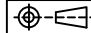
REV.	DESCRIPTION	DRAWN	DATE
	see sheet one		



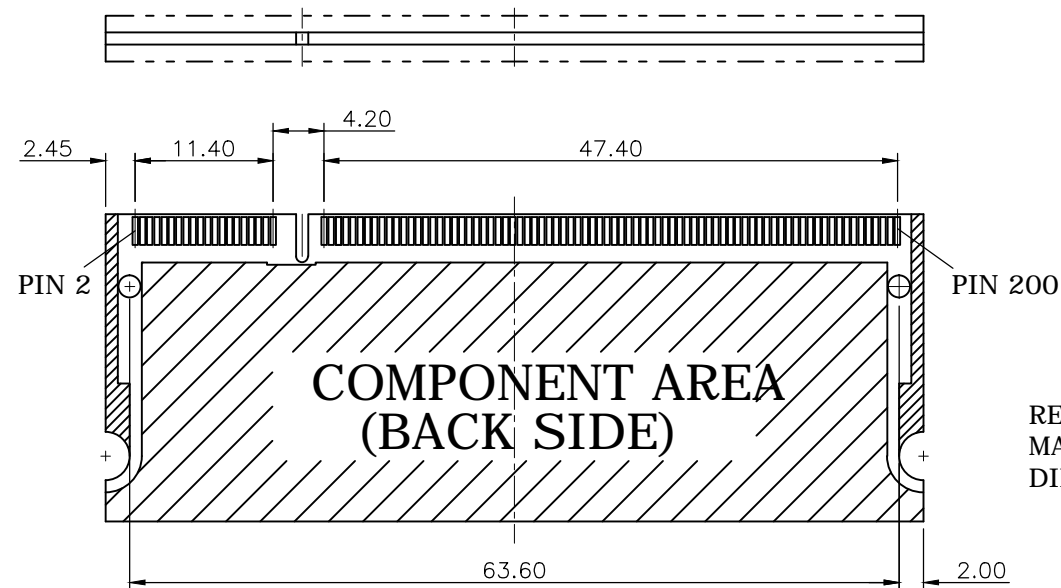
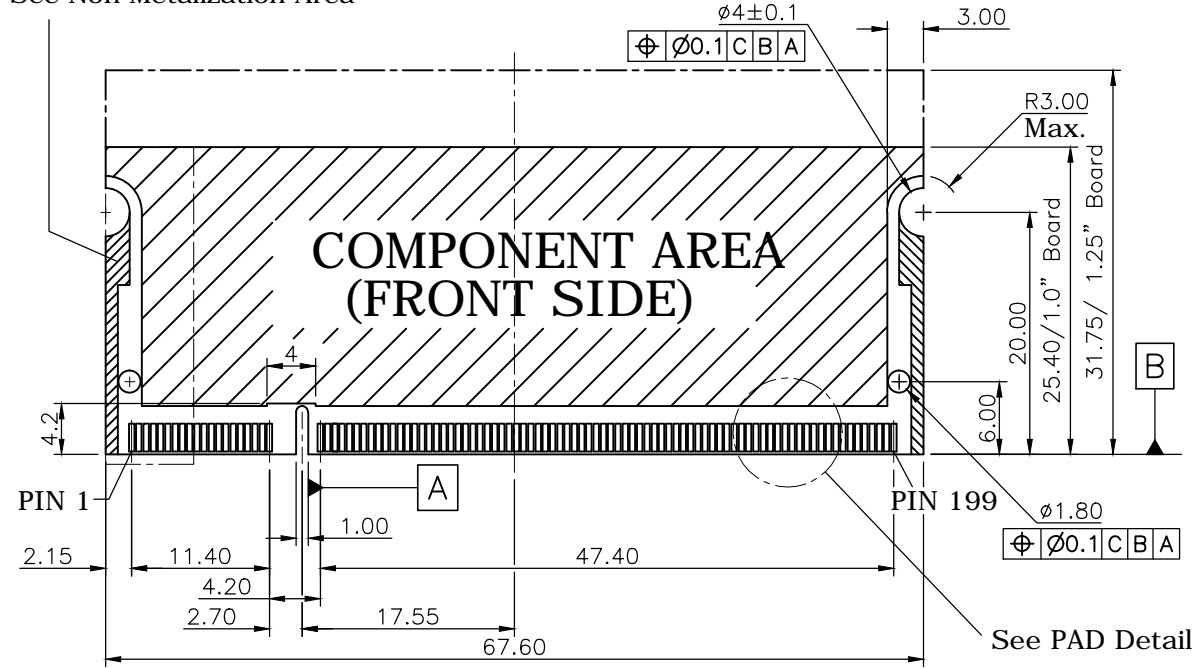
HOW TO MATE AND UNMATE

MATE ① - ④  
 UNMATE ⑤ - ⑦



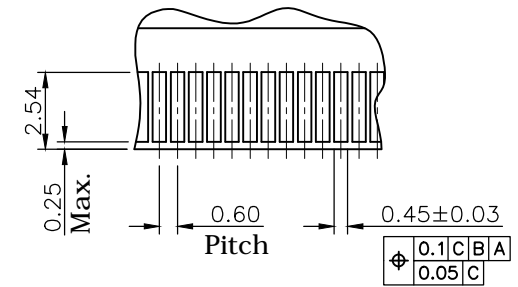
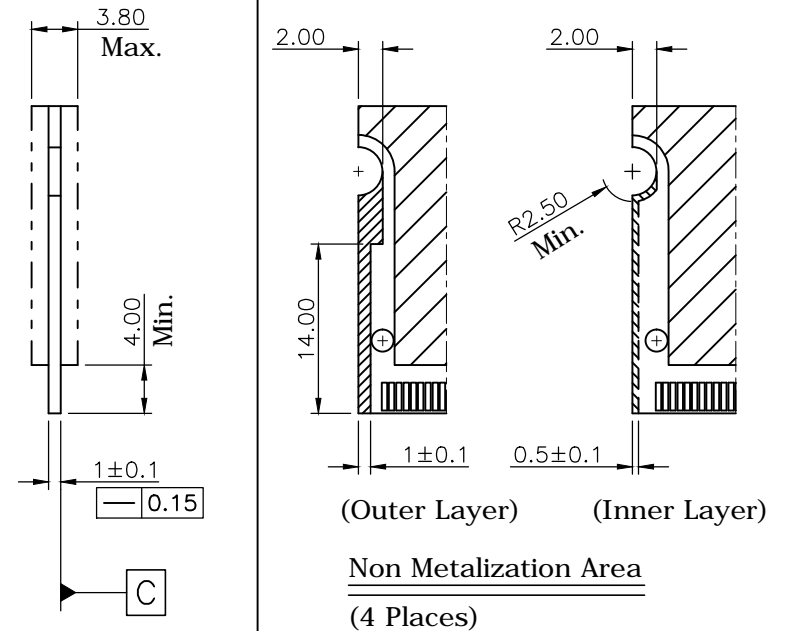
UNLESS OTHERWISE SPECIFIED TOLERANCE				 WWW.ATTEND.COM.TW	
UNIT:	DECIMAL	LINEAR	ANGLES		
mm	X.	±0.50	±5°		
	X.X	±0.25	±3°		
	X.XX	±0.12	±1°		
DRAWN	Willis	2012/12/05	DRAWN NAME:		
CHECKED	Angel	2012/12/05	SO DIMM DDR2 Socket 1.8V 200Pin 5.2H Type, Gold Flash		
APPROVED	Ken	2012/12/05	PRODUCT NO.	121A-52A00	
	SCALE 1.6	SHEET 3/5	SIZE A4	FILE NAME	121A-52A00_B_2

See Non Metalization Area




RECOMMENDED  
MATING P.C. BOARD  
DIMENSIONS

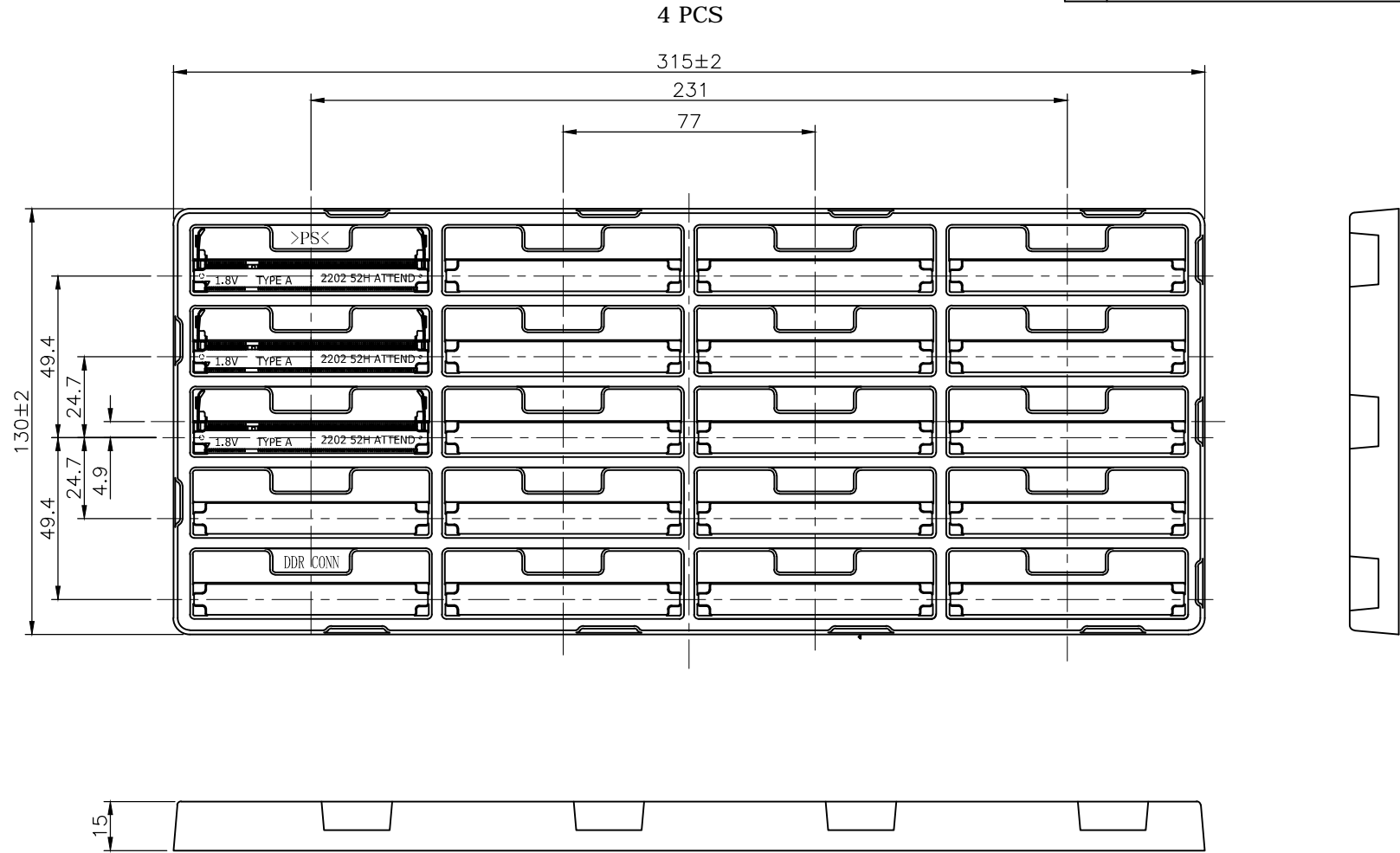
REV.	DESCRIPTION	DRAWN	DATE
	see sheet one		



PAD Detail  
Scale 4/1

UNLESS OTHERWISE SPECIFIED TOLERANCE				 WWW.ATTEND.COM.TW	
UNIT:	DECIMAL	LINEAR	ANGLES		
mm	X.	±0.50	±5°		
	X.X	±0.25	±3°		
	X.XX	±0.12	±1°		
DRAWN	Willis	2012/12/05	DRAWN NAME:	SO DIMM DDR2 Socket 1.8V 200Pin 5.2H Type, Gold Flash	
CHECKED	Angel	2012/12/05			
APPROVED	Ken	2012/12/05	PRODUCT NO.	121A-52A00	
SCALE	1.6	SHEET	4/5	SIZE	A4
FILE NAME		121A-52A00_B_2			


REV.	DESCRIPTION	DRAWN	DATE
	see sheet one		



5 PCS

4 PCS

**PACKAGING SPECIFICATIONS:**  
**1. PACKING**  
**1.1 QUANTITY:**  
 20 PIECE/ TRAY  
 220 PIECE/ INNER CARTON  
 660 PIECE/ OUTER CARTON

UNLESS OTHERWISE SPECIFIED TOLERANCE				 <a href="http://WWW.ATTEND.COM.TW">WWW.ATTEND.COM.TW</a>	
UNIT:	DECIMAL	LINEAR	ANGLES		
mm	X.	±0.50	±5°		
	X.X	±0.25	±3°		
	X.XX	±0.12	±1°		
DRAWN	Willis	2012/12/05	DRAWN NAME:		
CHECKED	Angel	2012/12/05	SO DIMM DDR2 Socket 1.8V 200Pin		
APPROVED	Ken	2012/12/05	5.2H Type, Gold Flash		
SCALE	1/2	SHEET	5/5	SIZE	A4
PRODUCT NO.		121A-52A00			
FILE NAME		121A-52A00_B_2			