


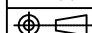
REV.	DESCRIPTION	DRAWN	DATE
2	CORRECTED PLATING SPEC.	FROS	2015/07/30
3	REVISED DATECODE	FROS	2015/07/31
4	CORRECTED RATING	FROS	2018/05/30

SPECIFICATION:

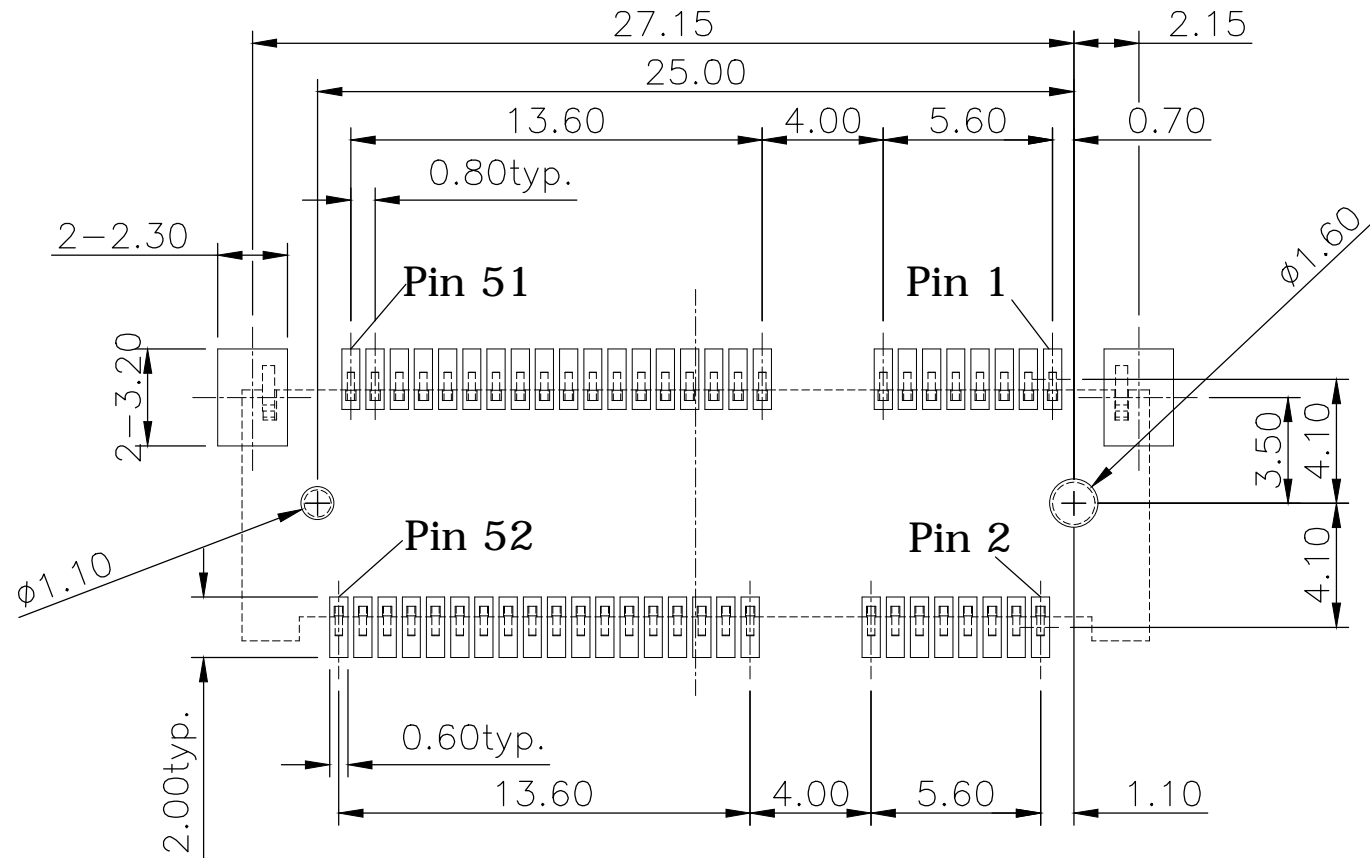
1. ELECTRICAL
 - 1.1 Current Rating: 0.5A per pin
 - 1.2 Voltage Rating: 50VAC
 - 1.3 Contact Resistance: 30mΩ
 - 1.4 Insulation Resistance: 500MΩ
 - 1.5 Dielectric Withstanding Voltage: 250VAC
2. MECHANICAL
 - 2.1 Durability: 50 Cycle
 - 2.2 Contact Normal Force: 50gf per pin min.
 - 2.3 Contact Retention Force: 180gf per pin min.
3. ENVIRONMENTAL
 - 3.1 Operating temperature range: -40°C~+90°C
 - 3.2 Storage temperature range: -40°C~+90°C
4. SOLDER ABILITY
 - 4.1 Recommended IR Reflow(Wave Soldering) Temperature: 260°C

③ Date Code: Y WW D
 Year Week(1~52) Day(1~7)


3	HOLD DOWN	Brass, C2680R-H, solder area: 100u" Matte Tin plated, under-plated 50u" Nickel
2	CONTACT	Phosphor Bronze, C5191R-H conatct area: Gold Flash, solder area: 100u" Matte Tin, all under-plated 50u" Nickel
1	HOUSING	LCP, UL94V-0, Black
NO.	PART NAME	DESCRIPTION

UNLESS OTHERWISE SPECIFIED TOLERANCE				 WWW.ATTEND.COM.TW	
UNIT:	DECIMAL	LINEAR	ANGLES		
mm	X.	±0.50	±5°		
	X.X	±0.25	±3°		
	X.XX	±0.12	±1°		
DRAWN	Fros	2015/07/06	DRAWN NAME:		
CHECKED	Zola	2015/07/06	Mini PCI Express Connector, H7.0mm		
APPROVED	Ken	2015/07/06	PRODUCT NO.	119A-70A00-R02	
	SCALE	2.5/1	SHEET	1/3	
	SIZE	A4		FILE NAME	119A-70A00-R02_B_4

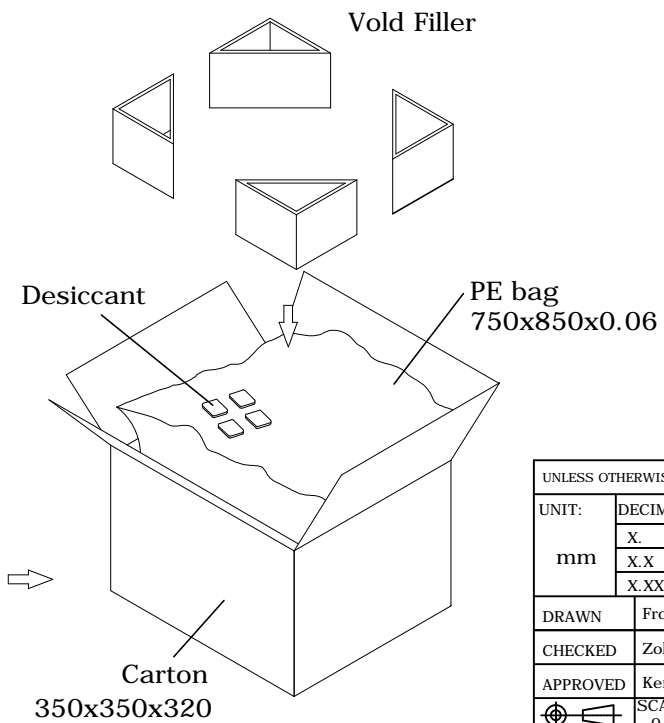
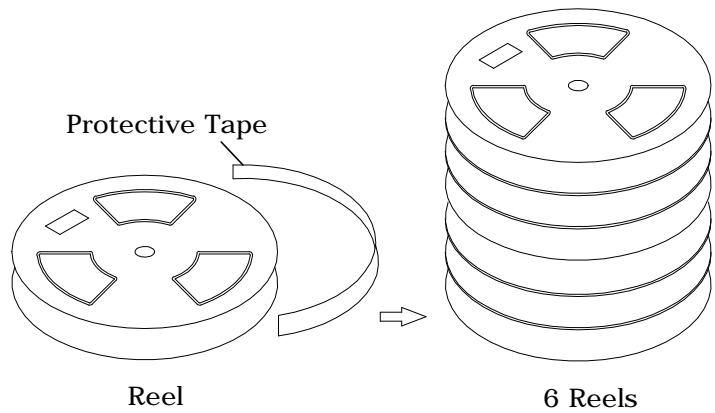
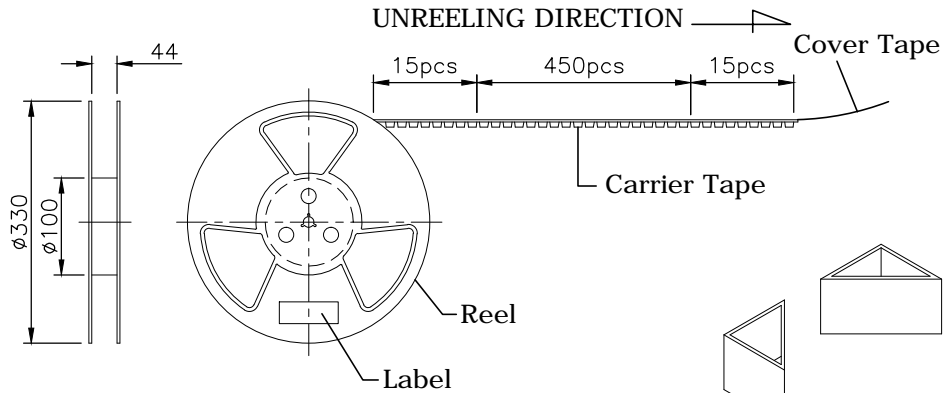
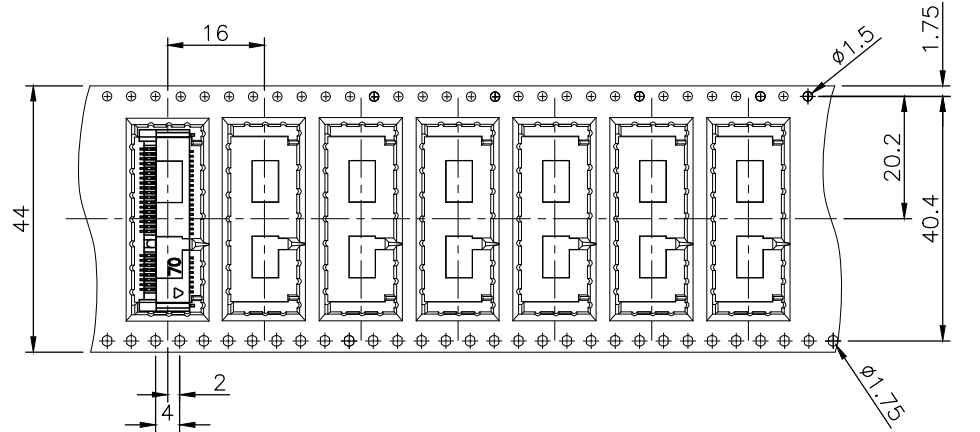
REV.	DESCRIPTION	DRAWN	DATE
	SEE SHEET ONE		



RECOMMEND LAYOUT (TOP VIEW)
GENERAL TOLERANCE: ± 0.05

UNLESS OTHERWISE SPECIFIED TOLERANCE				 WWW.ATTEND.COM.TW		
UNIT:	DECIMAL	LINEAR	ANGLES			DRAWN NAME: Mini PCI Express Connector, H7.0mm
mm	X.	± 0.50	$\pm 5^\circ$			
	X.X	± 0.25	$\pm 3^\circ$			
	X.XX	± 0.12	$\pm 1^\circ$			
DRAWN	Fros	2015/07/06	PRODUCT NO.	119A-70A00-R02		
CHECKED	Zola	2015/07/06	FILE NAME	119A-70A00-R02_B_4		
APPROVED	Ken	2015/07/06	SCALE	4/1		
		SHEET	2/3	SIZE	A4	

REV.	DESCRIPTION	DRAWN	DATE
	SEE SHEET ONE		



PACKAGING SPECIFICATION:

1. MATERIAL

- 1.1 Embossed Carrier Tape: PS Black
- 1.2 Top Cover Tape: PET
20-80g (Peel Speed 300mm/Minute)
- 1.3 Taping Reel: Plastic

2. PACKING

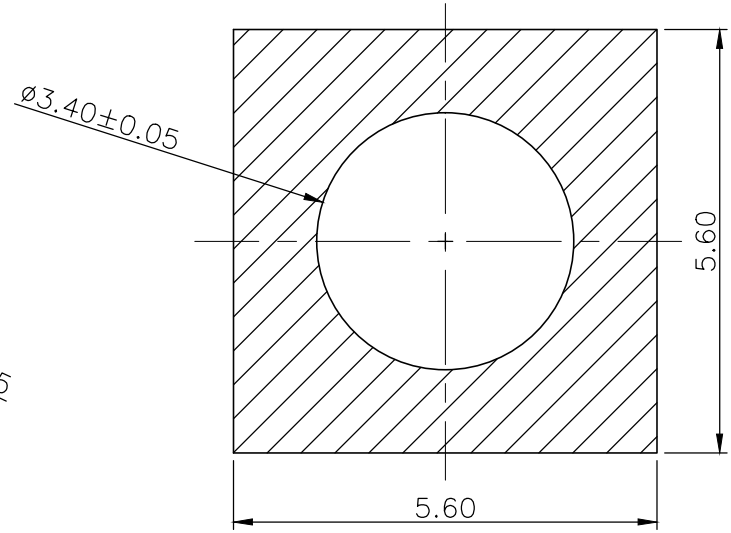
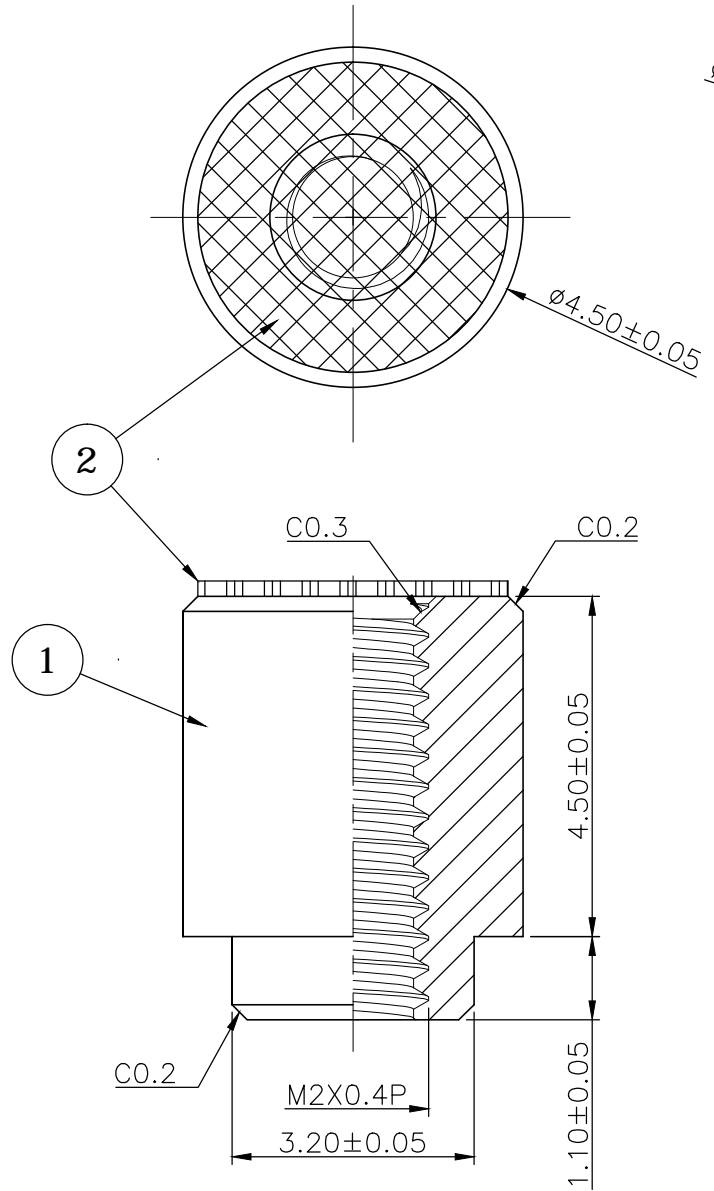
- 2.1 Quantity:
 - 450 Piece/Reel
 - 6 Reel/ Carton
 - 2,700 Piece/ Carton

UNLESS OTHERWISE SPECIFIED TOLERANCE			
UNIT:	DECIMAL	LINEAR	ANGLES
mm	X.	±0.50	±5°
	X.X	±0.25	±3°
	X.XX	±0.12	±1°
DRAWN	Fros	2015/07/06	DRAWN NAME: Mini PCI Express Connector, H7.0mm
CHECKED	Zola	2015/07/06	
APPROVED	Ken	2015/07/06	
SCALE	0.8/1	SHEET	3/3
	SIZE	A4	
FILE NAME		119A-70A00-R02_B_4	



WWW.ATTEND.COM.TW

REV.	DESCRIPTION	DRAWN	DATE
1	INITIAL RELEASE	FROS	2015/07/09

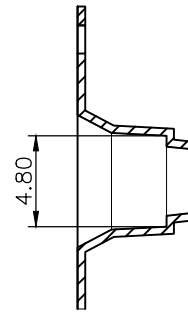
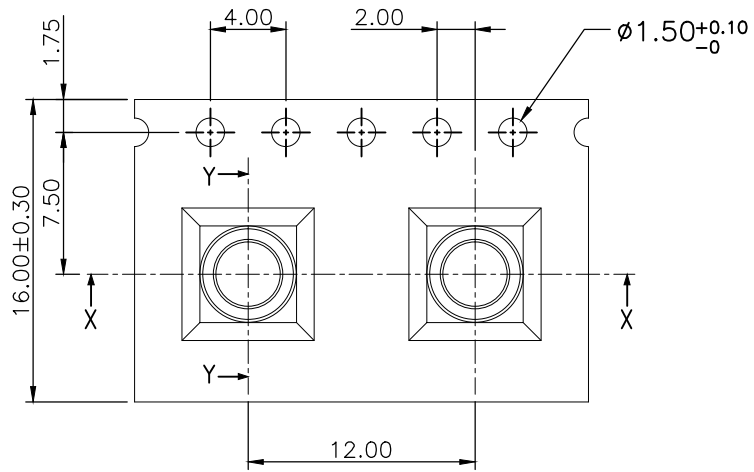


RECOMMENDED PCB LAYOUT

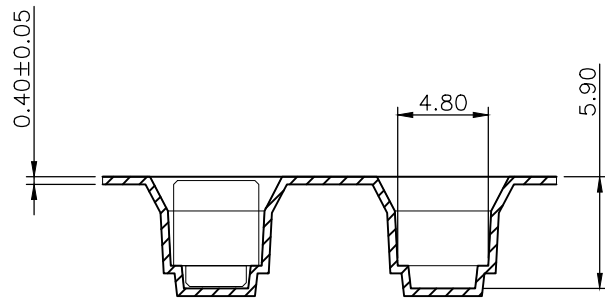
2	MYLAR		
1	NUT	Copper alloy, Tin plated	
NO.	PART NAME	DESCRIPTION	
UNLESS OTHERWISE SPECIFIED TOLERANCE			
UNIT:	DECIMAL	LINEAR	ANGLES
mm	X.	±0.50	±5°
	X.X	±0.25	±3°
	X.XX	±0.12	±1°
WWW.ATTEND.COM.TW			
DRAWN	Fros	2015/07/09	DRAWN NAME:
CHECKED	Zola	2015/07/09	Mini PCI Express Stand Off
APPROVED	Ken	2015/07/09	PRODUCT NO.
			119A-NUT-70-R02
SCALE	10/1	SHEET	1/2
		SIZE	A4
FILE NAME	119A-NUT-70-R02_B_1		



REV.	DESCRIPTION	DRAWN	DATE
	SEE SHEET ONE		




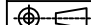
SECTION Y-Y



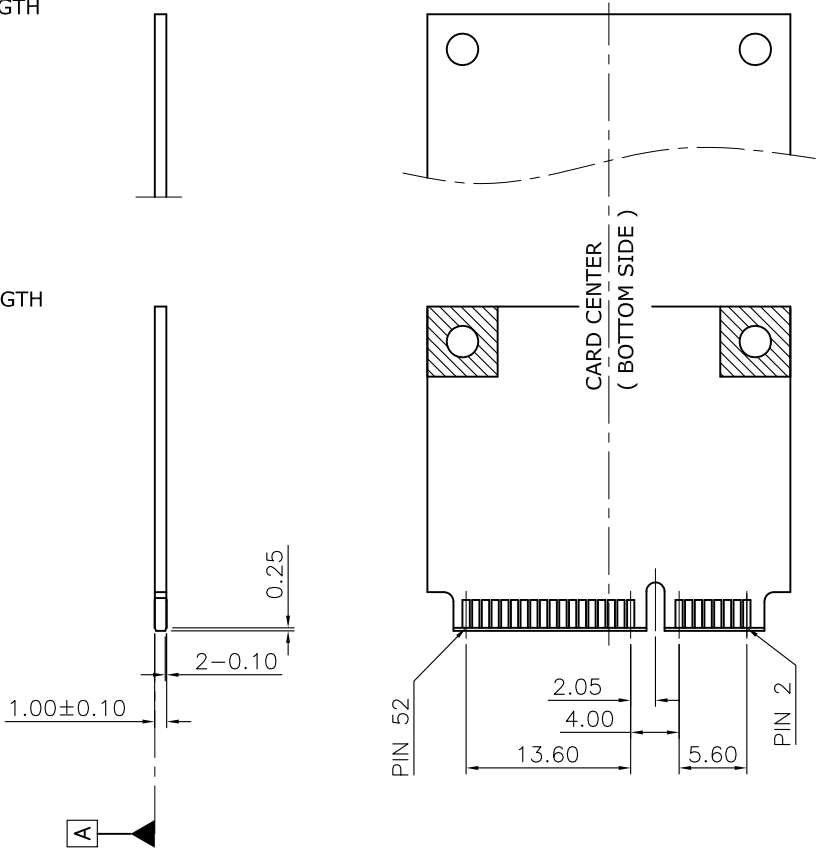
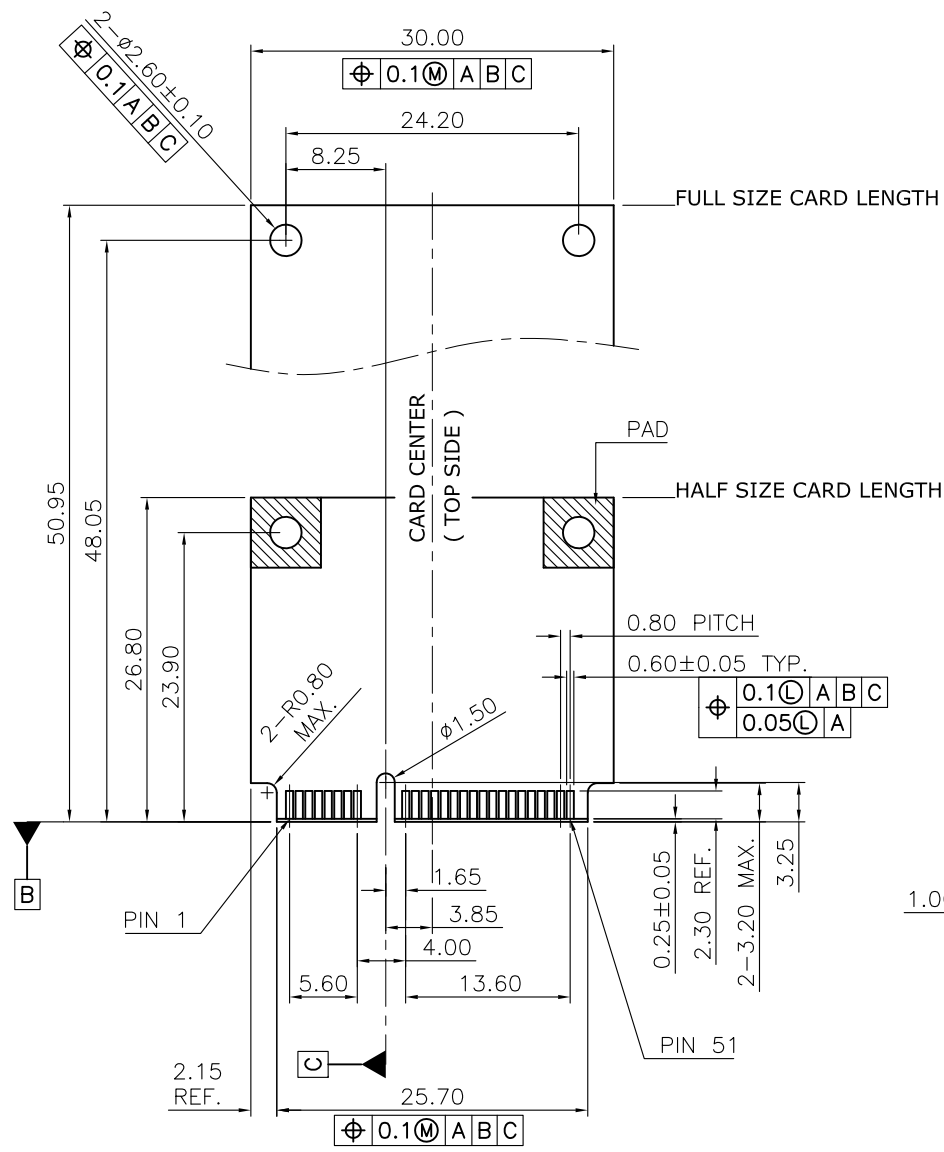
SECTION X-X


Note:

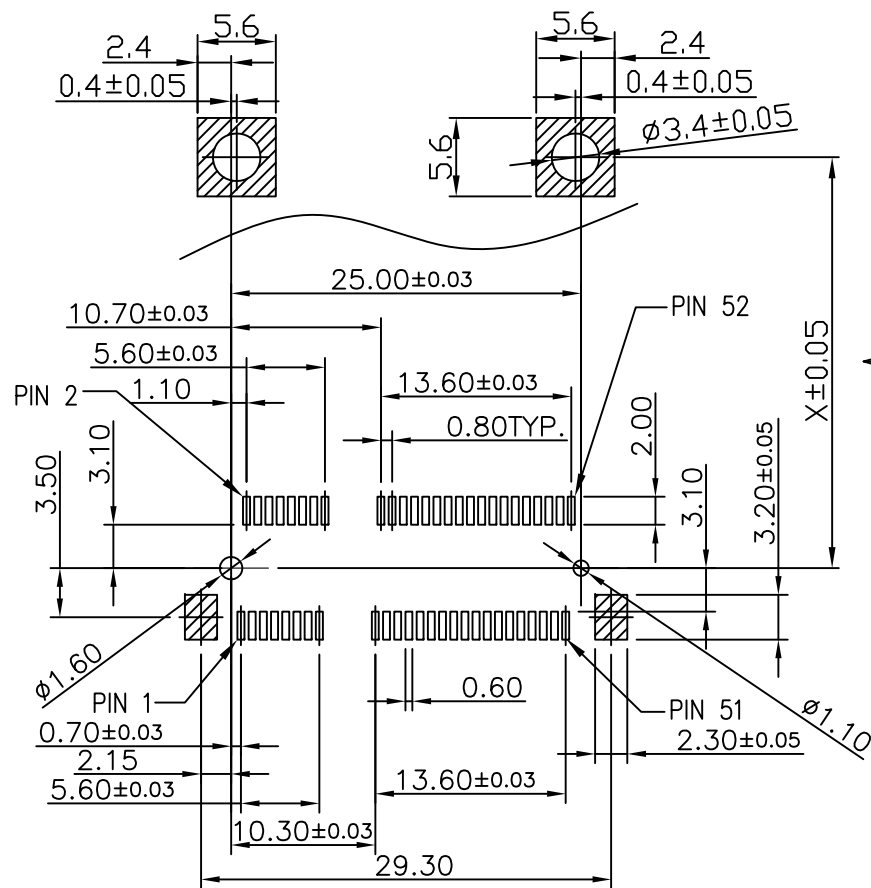
1. Part conforms to EIA-481-D standards
2. Material: Conductive polystyrene
3. Component packing to 13 inch reel, 900 pcs

UNLESS OTHERWISE SPECIFIED TOLERANCE				 WWW.ATTEND.COM.TW	
UNIT:	DECIMAL	LINEAR	ANGLES		
mm	X.	±0.50	±5°		
	X.X	±0.25	±3°		
	X.XX	±0.12	±1°		
DRAWN	Fros	2015/07/09	DRAWN NAME:		
CHECKED	Zola	2015/07/09	Mini PCI Express Stand Off		
APPROVED	Ken	2015/07/09	PRODUCT NO.	119A-NUT-70-R02	
	SCALE	SHEET	SIZE	FILE NAME	
	2.5/1	2/2	A4	119A-NUT-70-R02_B_1	

REV.	DESCRIPTION	DRAWN	DATE
1	Initial Release	FROS	2014/12/03



UNLESS OTHERWISE SPECIFIED TOLERANCE					
UNIT:	DECIMAL	LINEAR	ANGLES		
mm	X.	±0.50	±5°	WWW.ATTEND.COM.TW	
	X.X	±0.25	±3°		
	X.XX	±0.12	±1°		
DRAWN	Fros	2014/12/03	DRAWN NAME:		
CHECKED	Ron	2014/12/03	PHYSICAL DIMENSIONS OF		
APPROVED	Albert	2014/12/03	PCI EXPRESS MINI CARD		
SCALE	1.6/1	SHEET	1/1	SIZE	A4
				PRODUCT NO.	
				FILE NAME	119A-CARD_1



Recommended P.C.Board Layout.

Note:
Standard Card: X=48.05mm
(Card Length 50.95mm)

Short Card: X=23.90mm
(Card Length 26.65mm)

UNLESS OTHERWISE SPECIFIED TOLERANCE		
ANGLES	ANG.	±5°
LINEAR	0.	±0.3
	0.0	±0.25
	0.00	±0.20
SCALE	AS SHOWN	UNIT: mm
DRAWN	Willis	2012/08/03
CHECKED	Angel	2012/08/03
APPROVED	Ken	2012/08/03



www.attend.com.tw

REV.	DESCRIPTION	DATE	REV.	DESCRIPTION	DATE	SIZE	REV.	FILE NAME
1			2			A4	1.0	

DRAWN NAME:
Mini PCI Express Socket Layout

PRODUCT NO.

