

REV.	DESCRIPTION	DRAWN	DATE
1	INITIAL RELEASE	Willis	2013/12/09
2	Corrected Holddown material	Tim	2016/09/30

SPECIFICATION:

1. ELECTRICAL

- 1.1 Current Rating: 0.5A per pin
- 1.2 Voltage Rating: 50V DC
- 1.3 Contact Resistance: 5 5mΩ Max
- 1.4 Insulation Resistance: 500MΩ Min
- 1.5 Dielectric Withstanding Voltage: 300VAC

2. MECHANICAL

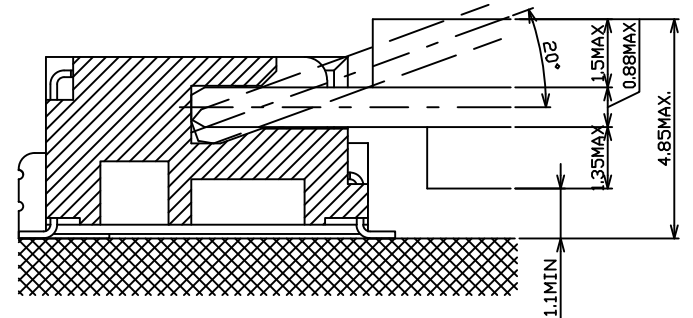
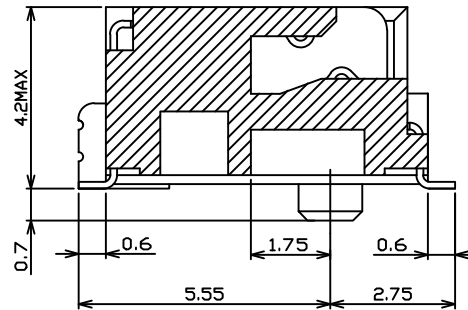
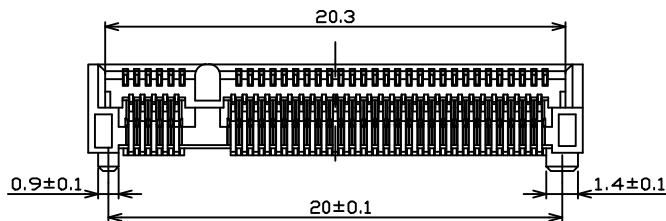
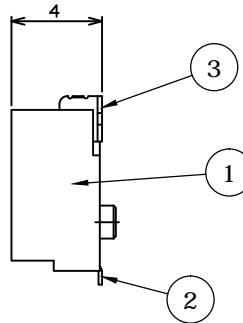
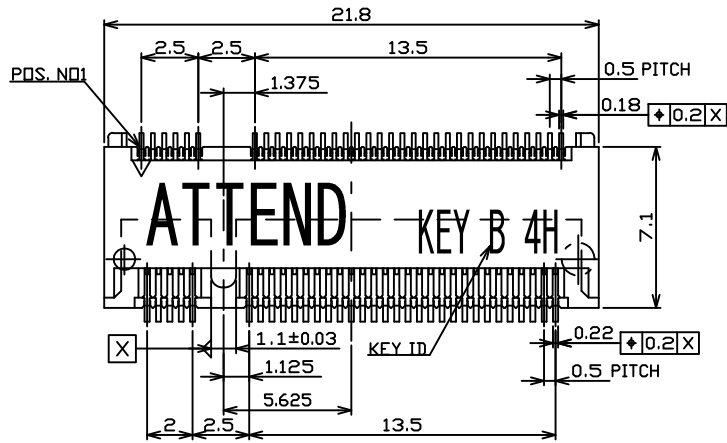
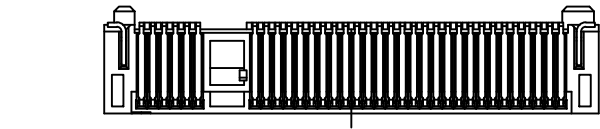
- 2.1 Durability: 200 Cycle
- 2.2 Insertion Force: 20N max.
- 2.3 Extraction Force: 25N max.


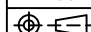
3. ENVIRONMENTAL

- 3.1 Operating temperature range: -40 °C~+85°C
- 3.2 Storage temperature range: -40 °C~+85°C

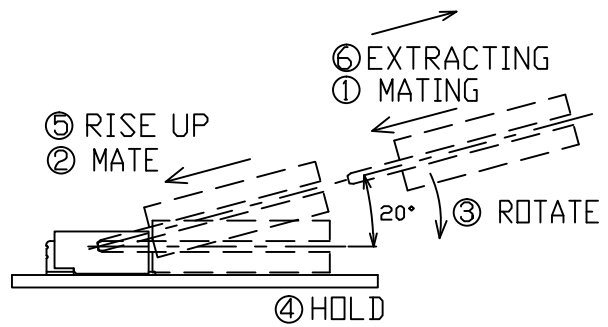
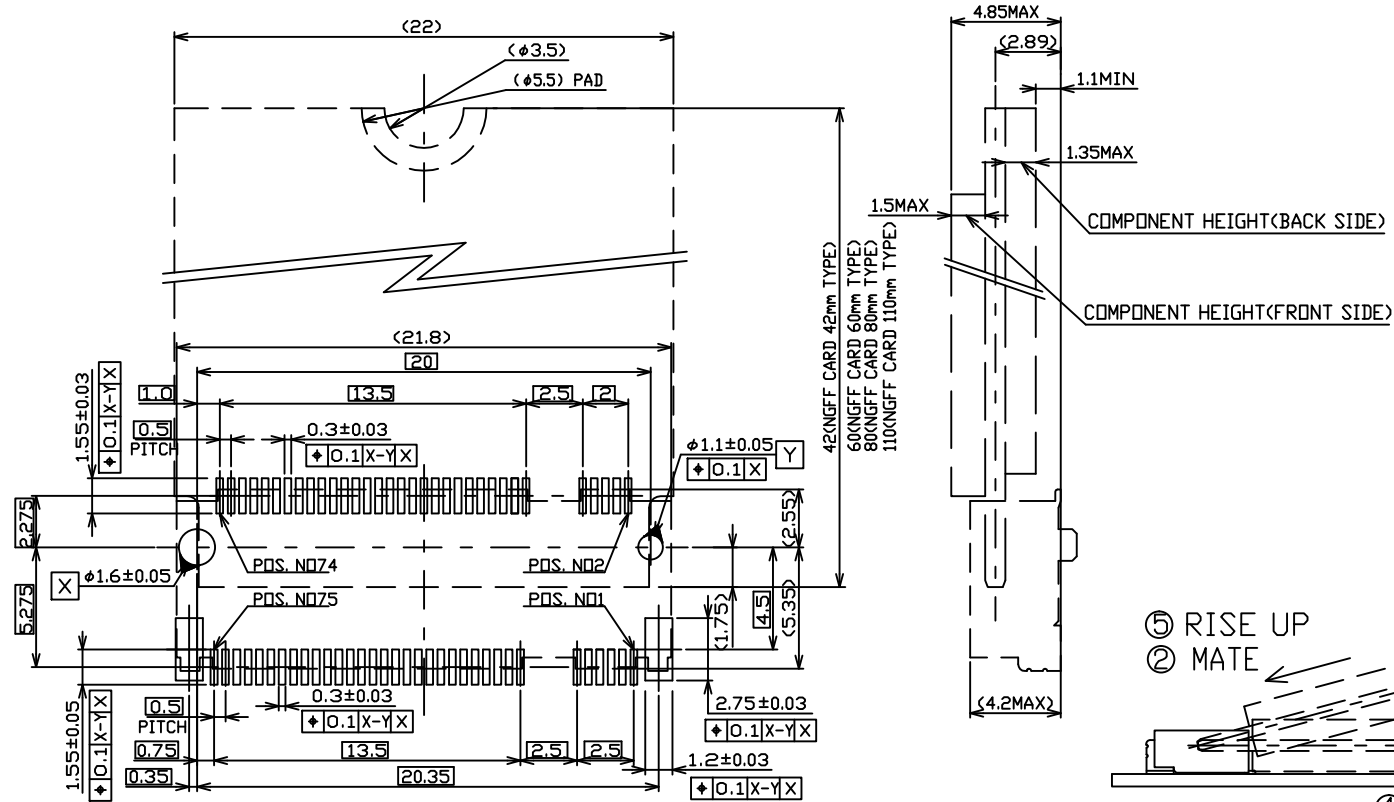
4. SOLDER ABILITY

- 4.1 Recommended IR-Reflow Temperature: 260°C 10Sec
- 4.2 Recommended PCB Thickness: 1.0mm


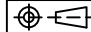


3	HOLDDOWN	Phosphor Bronze, Tin plating over Nickel	
2	CONTACT	Phosphor Bronze, Gold plating over Nickel	
1	HOUSING	LCP, UL94V-0, Black	
NO. PART NAME		DESCRIPTION	
UNLESS OTHERWISE SPECIFIED TOLERANCE			
UNIT:	DECIMAL	LINEAR	ANGLES
mm	X.	±0.50	±5°
	X.X	±0.25	±3°
	X.XX	±0.12	±1°
DRAWN Willis 2013/12/09			 WWW.ATTEND.COM.TW
CHECKED Angel 2013/12/09			
APPROVED Ken 2013/12/09			DRAWN NAME:
 SCALE 3/1 SHEET 1/4 SIZE A4			M.2 Connector, B key, H4.2mm 0.5Pitch, Gold Flash
PRODUCT NO.		123A-42BA0-R01	FILE NAME
			123A-42BA0-R01_B_2

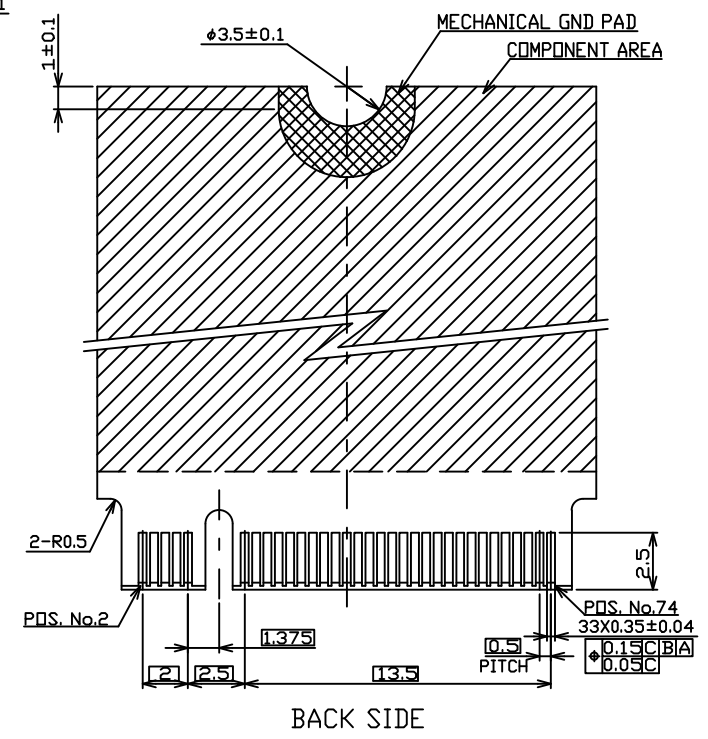
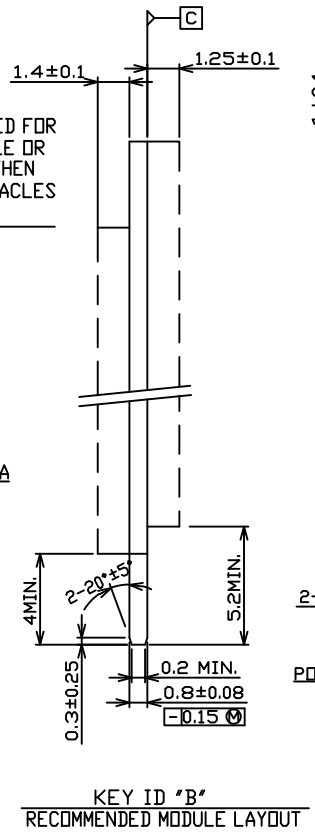
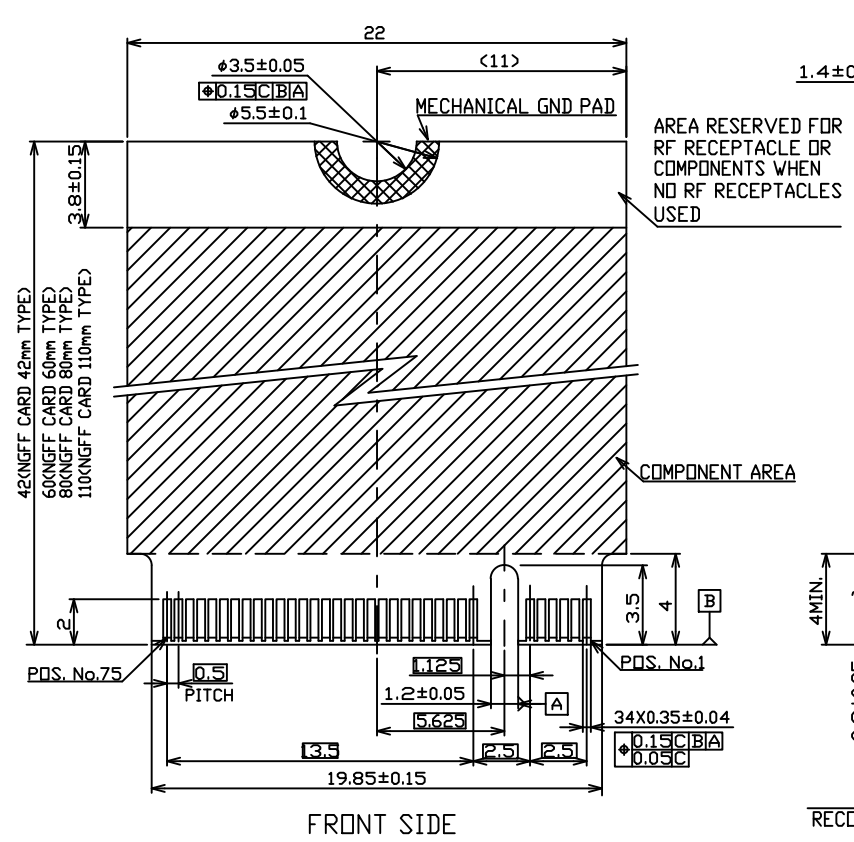
REV.	DESCRIPTION	DRAWN	DATE
	see sheet one		



KEY ID "B"
RECOMMENDED P.C.BOARD LAYOUT

UNLESS OTHERWISE SPECIFIED TOLERANCE					
UNIT:	DECIMAL	LINEAR	ANGLES		
mm	X.	±0.50	±5°	WWW.ATTEND.COM.TW	
	X.X	±0.25	±3°		
	X.XX	±0.12	±1°		
DRAWN	Willis	2013/12/09	DRAWN NAME:		
CHECKED	Angel	2013/12/09	M.2 Connector, B key, H4.2mm 0.5Pitch, Gold Flash		
APPROVED	Ken	2013/12/09	PRODUCT NO.	123A-42BA0-R01	
	SCALE 3/1	SHEET 2/4	SIZE A4	FILE NAME	123A-42BA0-R01_B_2

REV.	DESCRIPTION	DRAWN	DATE
	see sheet one		



UNLESS OTHERWISE SPECIFIED TOLERANCE

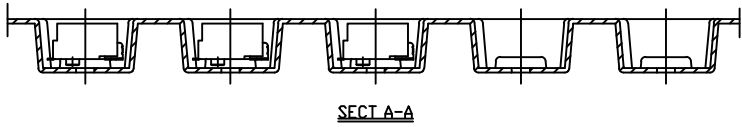
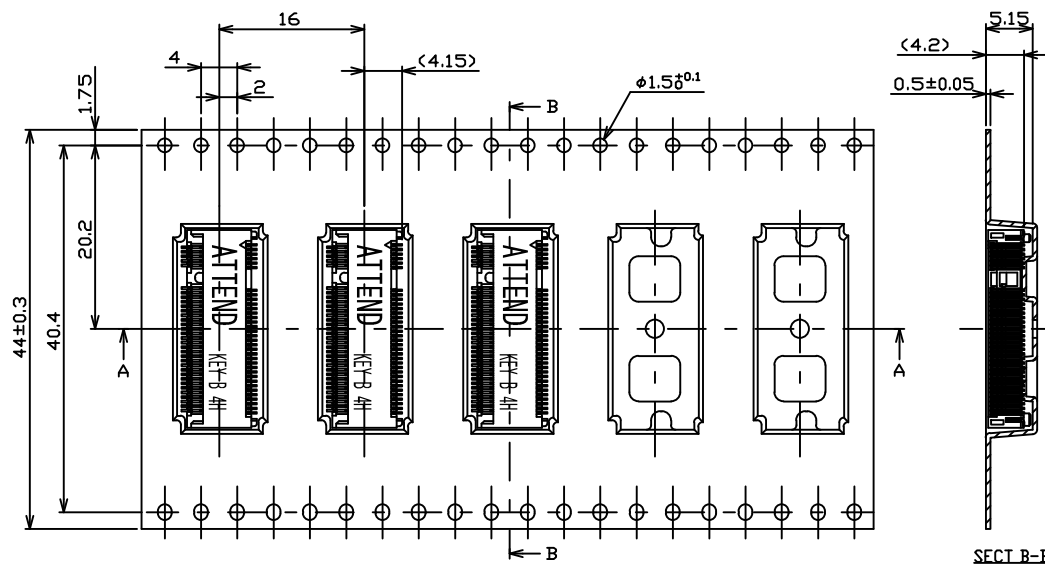
UNIT:	DECIMAL	LINEAR	ANGLES
mm	X.	±0.50	±5°
	X.X	±0.25	±3°
	X.XX	±0.12	±1°



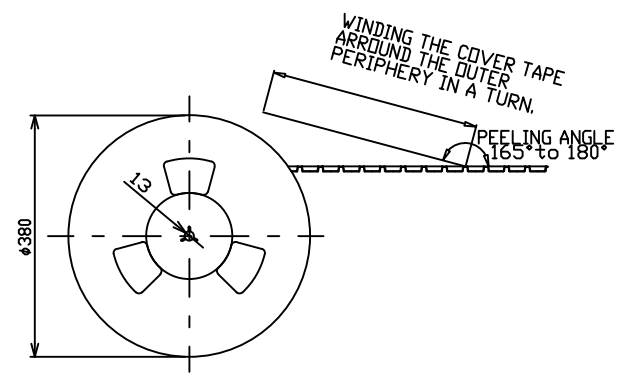
DRAWN	Willis	2013/12/09	DRAWN NAME:
CHECKED	Angel	2013/12/09	M.2 Connector, B key, H4.2mm 0.5Pitch, Gold Flash
APPROVED	Ken	2013/12/09	PRODUCT NO. 123A-42BA0-R01
SCALE	3/1	SHEET	3/4
SIZE	A4	FILE NAME	123A-42BA0-R01_B_2


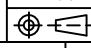
REV.	DESCRIPTION	DRAWN	DATE
	see sheet one		

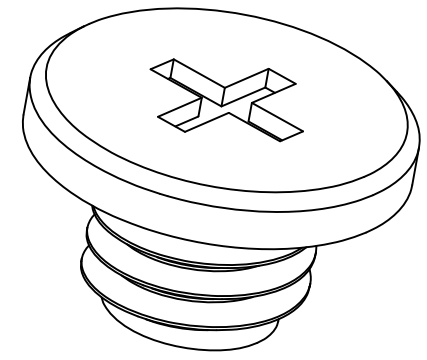
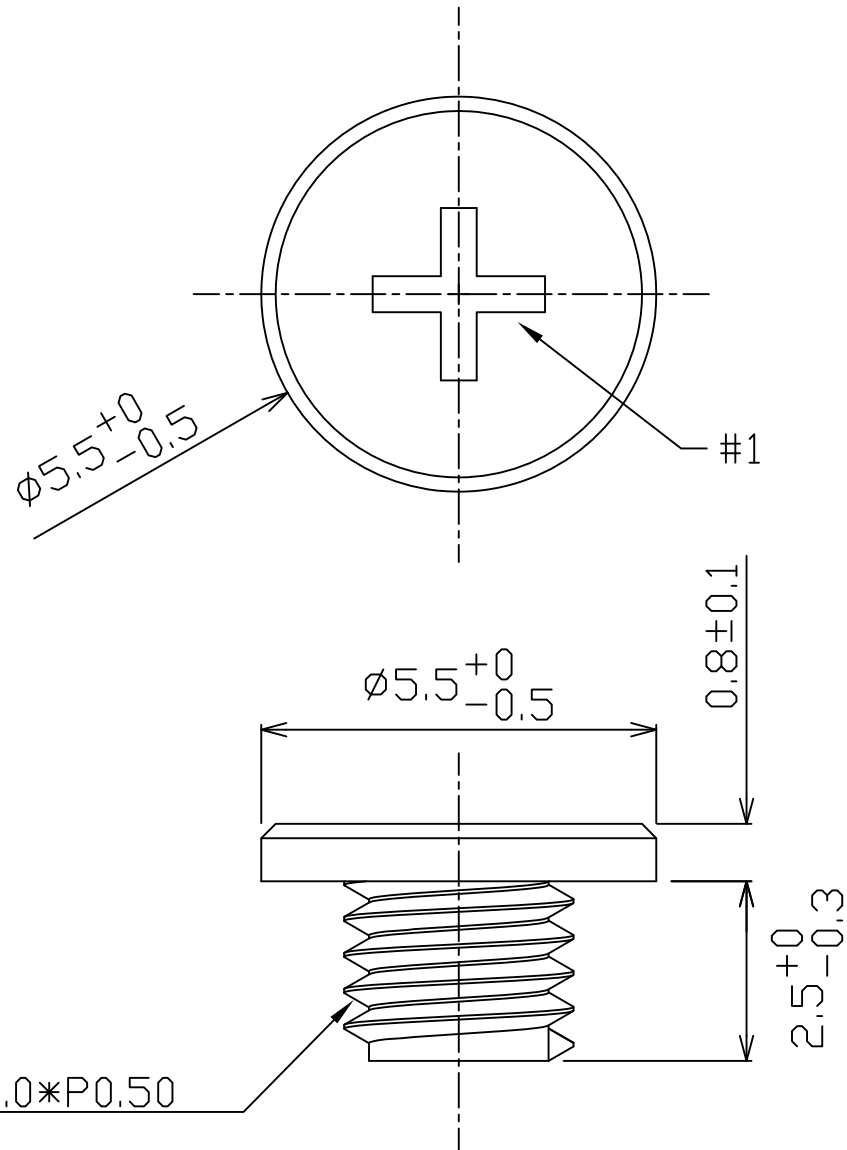
DIRECTION OFF TOP OF REEL

- NOTES:
1. THE DIRECTION OF EACH CONNECTOR ON A EMBOSS IS REFERED TO THIS DRAWING.
 2. GENERAL TOLERANCE : ± 0.5 , $\pm 3^\circ$
 3. PACKAGED IN EMBOSS TAPE AND PLASTIC REEL 1000 PCS PRE REEL.



UNLESS OTHERWISE SPECIFIED TOLERANCE				 WWW.ATTEND.COM.TW		
UNIT:	DECIMAL	LINEAR	ANGLES			DRAWN NAME: M.2 Connector, B key, H4.2mm 0.5Pitch, Gold Flash
mm	X.	± 0.50	$\pm 5^\circ$			
	X.X	± 0.25	$\pm 3^\circ$			
	X.XX	± 0.12	$\pm 1^\circ$			
DRAWN	Willis	2013/12/09	PRODUCT NO. 123A-42BA0-R01			
CHECKED	Angel	2013/12/09	FILE NAME 123A-42BA0-R01_B_2			
APPROVED	Ken	2013/12/09				
	SCALE 3/1	SHEET 4/4	SIZE A4			



Note:
 1. Material: Low-carbon steel
 2. Plating: Nickel

						UNLESS OTHERWISE SPECIFIED TOLERANCE			 www.attend.com.tw	
						ANGLES	ANG.	±5°		
						LINEAR	0.	±0.3		
							0.00	±0.25		
						SCALE	AS SHOWN	UNIT: mm	DRAWN NAME: M.2 Series Screw	
						DRAWN	Willis	2013/08/06	PRODUCT NO. 123A-SCREW	
						CHECKED	Angel	2013/08/06	FILE NAME 123A-SCREW_B_1	
						APPROVED	Ken	2013/08/06		
REV.	DESCRIPTION		DATE	REV.	DESCRIPTION		DATE	 SIZE A4 REV. 1.0		
1				4						
2				5						
3				6						
4				7						
5				8						
6				9						
7				10						

A

A