

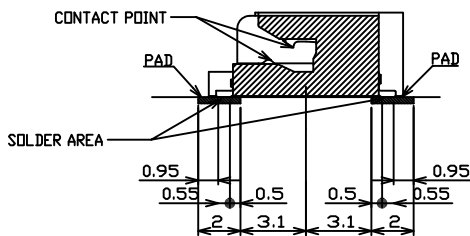
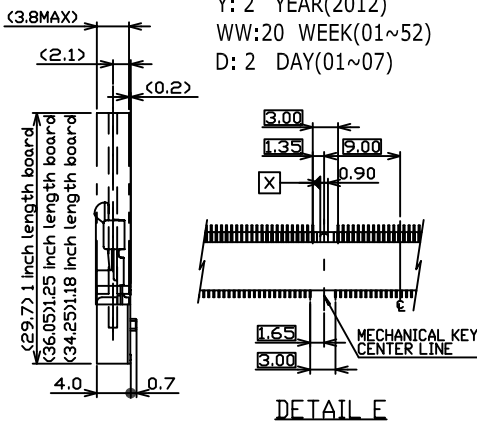
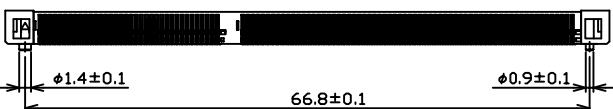
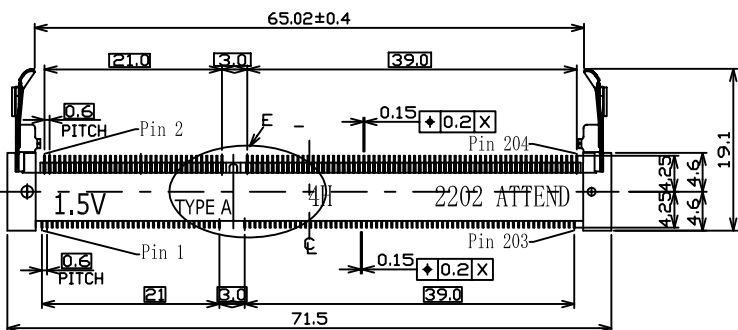
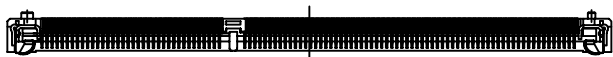
SWITCH CIRCUIT

MATERIAL AND FINISH AS BELOW

WHEN CARD IS EJECTED

WHEN CARD IS INSERTED

| | | | | |
|---|---------|-------------------------------------------------|---|--|
| A | Housing | LCP UL94V-0 Black | E | |
| B | Contact | Phosphor Bronze C5210, Contact Area: Gold Flash | F | |
| C | Latch | Stainless Steel SUS301 | G | |
| D | | | H | |



NOTES:
 DATE CODE 2202 (YWWDD)
 Y: 2 YEAR(2012)
 WW:20 WEEK(01~52)
 D: 2 DAY(01~07)

SPECIFICATION:

1. ELECTRICAL

- 1.1 Current Rating: 0.5A per pin
- 1.2 Voltage Rating: 25V AC/DC
- 1.3 Contact Resistance: 60mΩ
- 1.4 Insulation Resistance: 500MΩ
- 1.5 Dielectric Withstanding Voltage: 125VAC

2. MECHANICAL

- 2.1 Durability: 25 Cycle
- 2.2 Latch Retention Force: 8 N/Pos. Min

3. ENVIRONMENTAL

- 3.1 Operating temperature range: -40°C~+85°C
- 3.2 Storage temperature range: -40°C~+85°C

4. SOLDER ABILITY

- 4.1 Recommended IR Reflow Temperature: 255°C 10Sec

| | | | | | | | | | | | |
|----|----|----|----|----|----|----|----|----|-----|-----|-----|
| P1 | P2 | P3 | P4 | P5 | P6 | P7 | P8 | P9 | P10 | P11 | P12 |
|----|----|----|----|----|----|----|----|----|-----|-----|-----|

PIN ASSIGNMENT

122A-40A00 SO DIMM DDR3 Socket 1.5V 204Pin Type 4.0H, Contact Area: Gold Flash

PRODUCT NO. DESCRIPTION

UNLESS OTHERWISE SPECIFIED TOLERANCE

| | | |
|--------|------|-------|
| ANGLES | ANG. | ±5° |
| LINEAR | 0. | ±0.3 |
| | 0.0 | ±0.25 |
| | 0.00 | ±0.20 |

SCALE AS SHOWN UNIT: mm

DRAWN Willis 2012/12/05

CHECKED Angel 2012/12/05

APPROVED Ken 2012/12/05



www.attend.com.tw

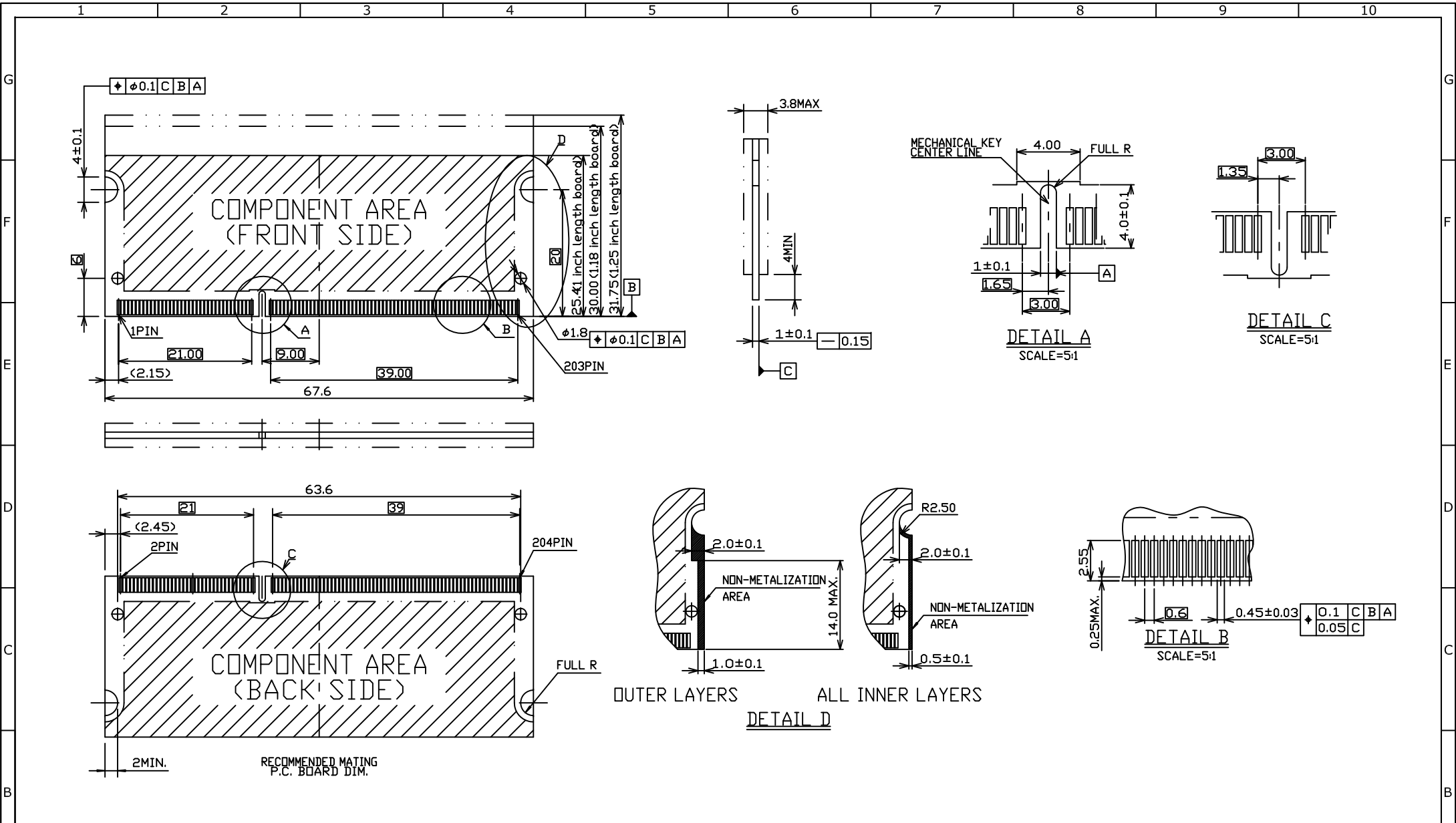
DRAWN NAME: SO DIMM DDR3 Socket 1.5V 204Pin 4.0H Type

PRODUCT NO. 122A-40A00

FILE NAME 122A-40A00_B_1

| | | | |
|---|---------|--|--|
| △ | Revise: | | |
| △ | Revise: | | |
| △ | Revise: | | |

| REV. | DESCRIPTION | DATE | REV. | DESCRIPTION | DATE | SIZE | REV. | FILE NAME |
|------|-------------|------|------|-------------|------|------|------|----------------|
| 1 | | | 4 | | | A4 | 1.0 | 122A-40A00_B_1 |

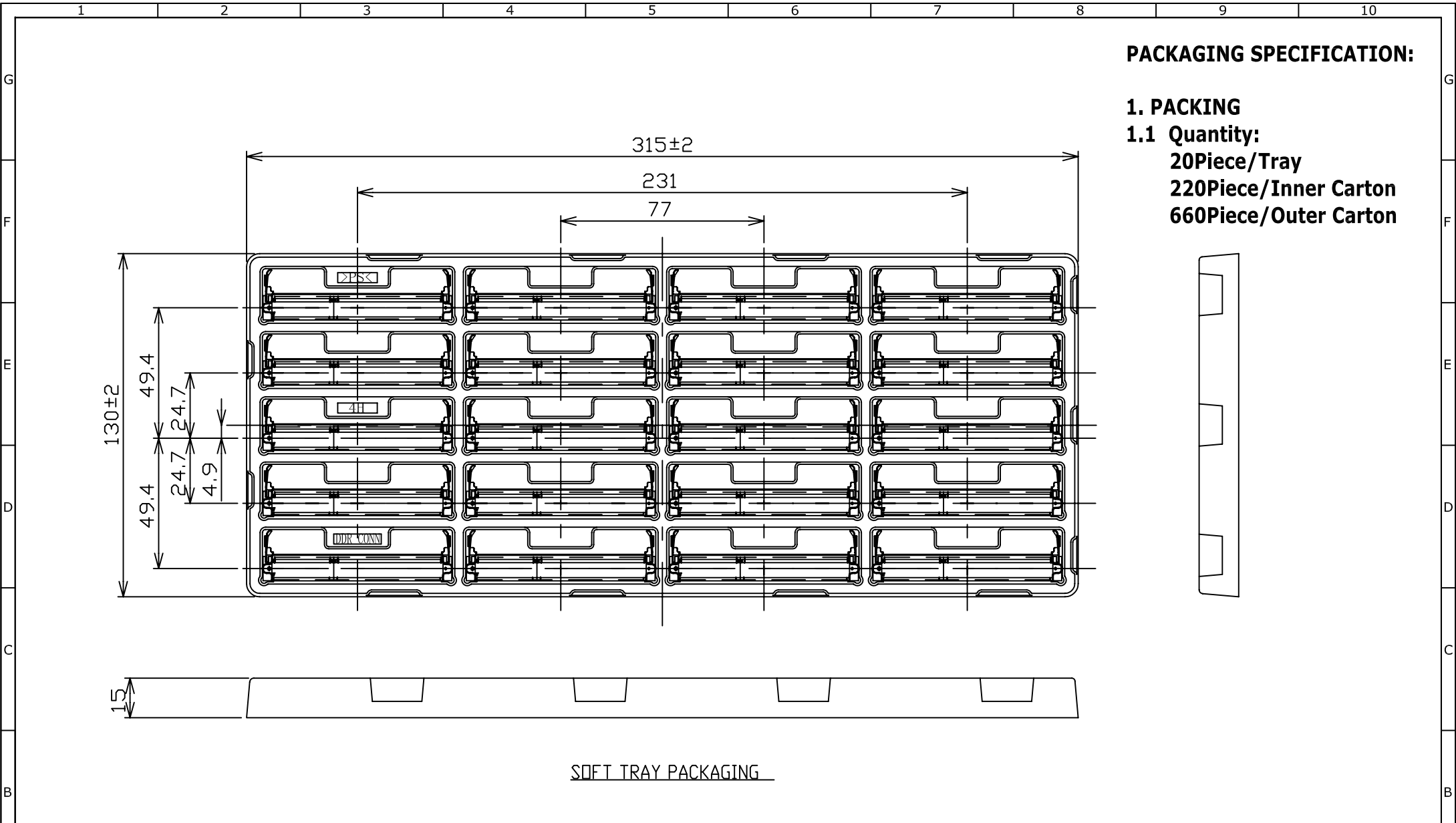


| REV. | DESCRIPTION | DATE | REV. | DESCRIPTION | DATE | SIZE | REV. | FILE NAME |
|------|-------------|------|------|-------------|------|------|------|----------------|
| 1 | | | 2 | | | A4 | 1.0 | 122A-40A00_B_1 |
| 3 | | | 4 | | | | | |
| 5 | | | 6 | | | | | |
| 7 | | | 8 | | | | | |
| 9 | | | 10 | | | | | |

| | | |
|--------------------------------------|----------|------------|
| UNLESS OTHERWISE SPECIFIED TOLERANCE | | |
| ANGLES | ANG. | ±5° |
| LINEAR | 0. | ±0.3 |
| | 0.0 | ±0.25 |
| | 0.00 | ±0.20 |
| SCALE | AS SHOWN | UNIT: mm |
| DRAWN | Willis | 2012/12/05 |
| CHECKED | Angel | 2012/12/05 |
| APPROVED | Ken | 2012/12/05 |

| | |
|-------------------------------------------------------|------------|
| www.attend.com.tw | |
| DRAWN NAME: SO DIMM DDR3 Socket 1.5V 204Pin 4.0H Type | |
| PRODUCT NO. | 122A-40A00 |

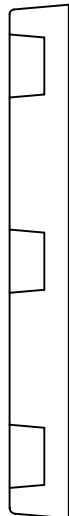




PACKAGING SPECIFICATION:

- 1. PACKING**
- 1.1 Quantity:**

 - 20Piece/Tray**
 - 220Piece/Inner Carton**
 - 660Piece/Outer Carton**



SOFT TRAY PACKAGING

| | | | | | | | | | | |
|------|-------------|------|------|-------------|------|-----------------------------------------------------------------------------------------------|----------|------------|------------------------------------------------------------------------------------------------------------|----------------|
| | | | | | | UNLESS OTHERWISE SPECIFIED TOLERANCE | | |  www.attend.com.tw | |
| | | | | | | ANGLES | ANG. | ±5° | | |
| | | | | | | LINEAR | 0. | ±0.3 | | |
| | | | | | | | 0.00 | ±0.25 | | |
| | | | | | | SCALE | AS SHOWN | UNIT: mm | ±0.20 | |
| | | | | | | DRAWN | Willis | 2012/12/05 | DRAWN NAME: | |
| | | | | | | CHECKED | Angel | 2012/12/05 | SO DIMM DDR3 Socket 1.5V 204Pin 4.0H Type | |
| | | | | | | APPROVED | Ken | 2012/12/05 | PRODUCT NO. | 122A-40A00 |
| REV. | DESCRIPTION | DATE | REV. | DESCRIPTION | DATE |  SIZE A4 | | REV. 1.0 | FILE NAME | 122A-40A00_D_1 |
| 1 | | | 4 | | | | | | | |

A

△

Revise:

△

Revise:

△

Revise: