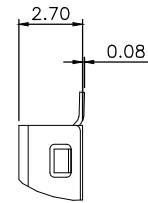


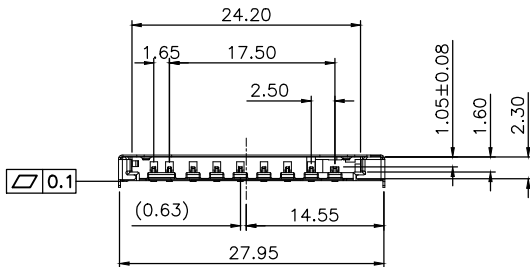
PRODUCT NUMBER:
104H-T D A 0 - R01
↑ ↑ ↑
1 2 3

- 1. Type
T: Top Mount
- 2. Contact Plating
D: 10u" Gold Plated
- 3. Stand Off
A: 0mm

NOTE 1:
DATE CODE
0 2 0 2
↑ ↑ ↑
Y W W D
2010 — DAY (1~7)
— 20 (WEEK 01~52)



DETAIL A
SCALE 2.5/1



REV.	DESCRIPTION	DRAWN	DATE
2	Add date code	WILLIS	2014/01/09
3	Revised frame, add Packing draw	FROS	2015/01/09
4	ECR1700027	TIM	2017/10/26

SPECIFICATION:

1. ELECTRICAL

- 1.1 Current Rating: 0.5A per pin
- 1.2 Voltage Rating: 100V AC/DC
- 1.3 Contact Resistance: 80mΩ
- 1.4 Insulation Resistance: 1000MΩ
- 1.5 Dielectric Withstanding Voltage: 500VAC

2. MECHANICAL

- 2.1 Durability: 10000 Cycle
- 2.2 Contact Retention Force: 2.5N per pin min.
- 2.3 Card Insertion / Eject Force: 9.8N max.
- 2.4 Card Release Force: 6N~9N

3. ENVIRONMENTAL

- △ 3.1 Operating temperature range: -40°C ~ +90°C
- 3.2 Storage temperature range: -40°C ~ +90°C

NO.	PART NAME	DESCRIPTION	Q'TY
10	SPRING	PIANO WIRE, NICKEL PLATED	1
9	DRAG LINK	STAINLESS	1
8	SHELL	STAINLESS, GOLD FLASH	1
7	LATCH	STAINLESS	1
6	COMMON PIN	PHOSPHOR BRONZE, GOLD FLASH	1
5	CARD DETECTION PIN	PHOSPHOR BRONZE, GOLD FLASH	1
4	WRITE PROTECTION PIN	PHOSPHOR BRONZE, GOLD FLASH	1
3	CONTACT	PHOSPHOR BRONZE, 10u" GOLD PLATED	9
2	SLIDEER	LCP UL94V-0	1
1	BODY	LCP UL94V-0	1

UNLESS OTHERWISE SPECIFIED TOLERANCE

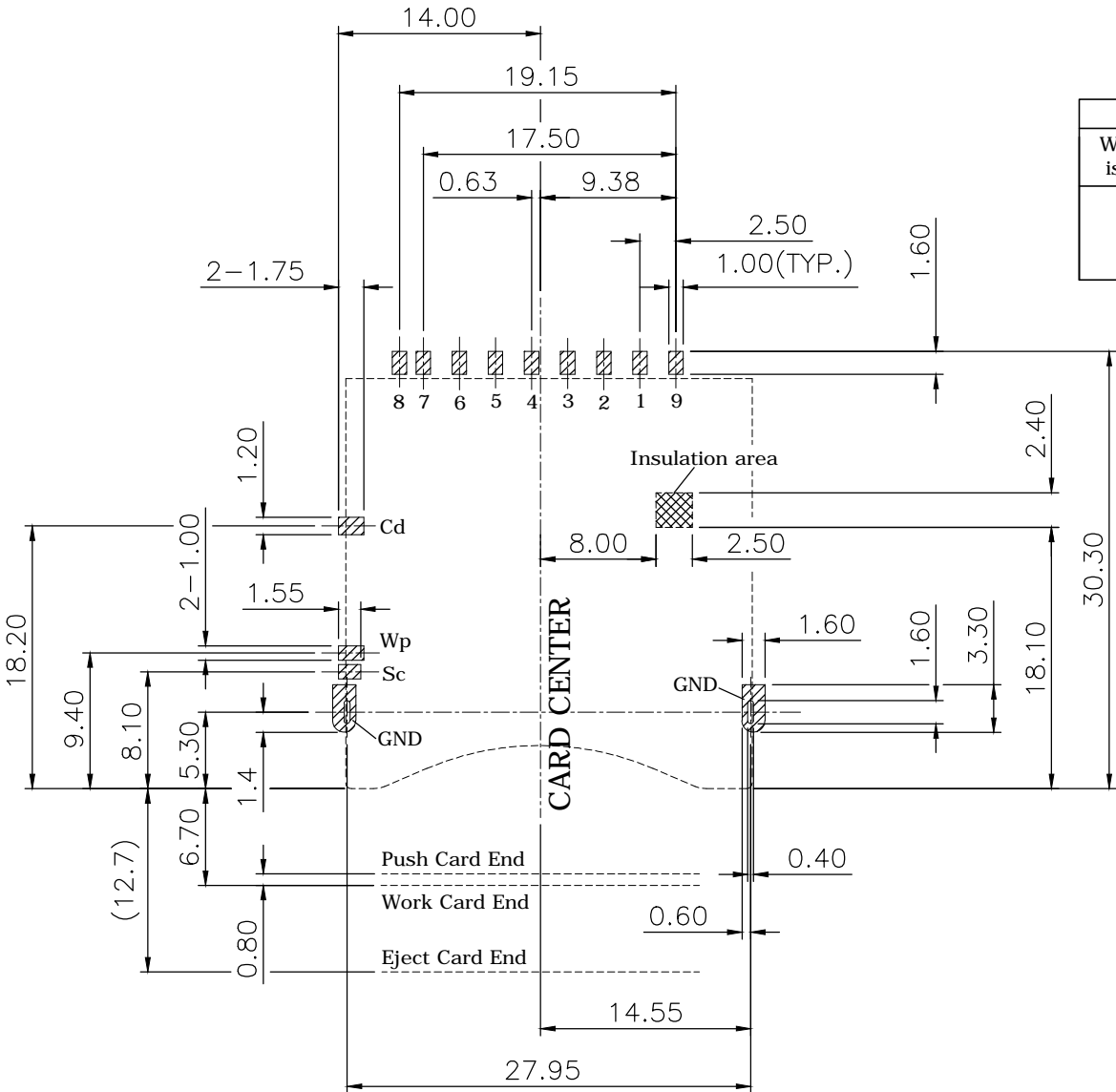
UNIT:	DECIMAL	LINEAR	ANGLES
mm	X.	±0.50	±5°
	X.X	±0.25	±3°
	X.XX	±0.12	±1°



WWW.ATTEND.COM.TW

DRAWN	Willis	2013/10/31	DRAWN NAME:	SD Socket Top Mount	
CHECKED	Angel	2013/10/31		Push-Push Type, Card Lock Function	
APPROVED	Ken	2013/10/31	PRODUCT NO.	104H-TDA0-R01	
SCALE	1.25/1	SHEET	1/3	SIZE	A4
			FILE NAME	104H-TDA0-R01_B_4	

REV.	DESCRIPTION	DRAWN	DATE
	SEE SHEET 1		



Card Detection Switch		Write Protection Switch		
When Card is Ejected	When Card is Inserted	When Card is Ejected	When Card is Inserted	
			Write Protect	Write Enable
OPEN	CLOSE	OPEN	OPEN	CLOSE
Cd Sc	Cd Sc	Wp Sc	Wp Sc	Wp Sc

PIN NO.	PIN ASSIGNMENT
1	DAT3/CS/CD
2	CMD
3	VSS1
4	VDD
5	CLK
6	VSS2
7	DAT0
8	DAT1
9	DAT2
Wp	WRITE PROTECTION
Cd	CARD DETECTION
Sc	COMMON PIN
G	SDIO / GROUND

RECOMMEND PCB LAYOUT (TOP VIEW)
GENERAL TOLERANCE: ±0.05mm

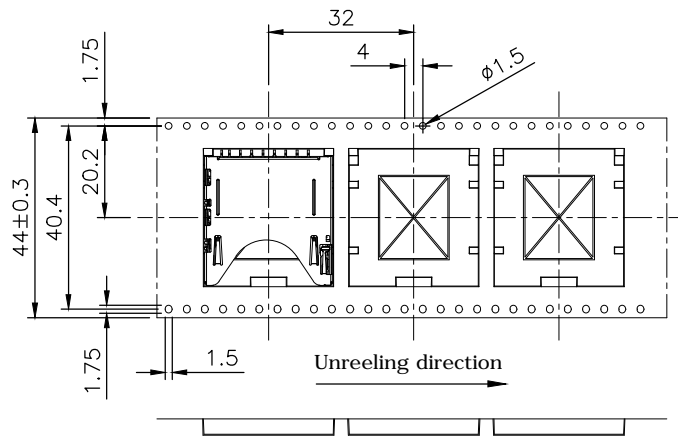
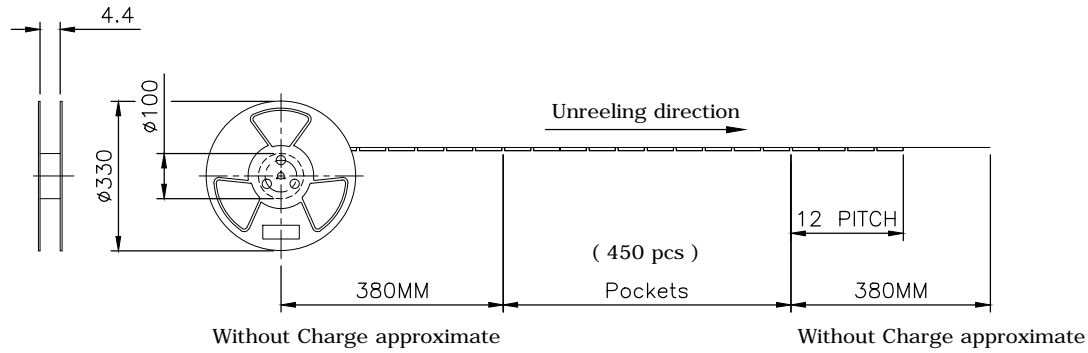
UNLESS OTHERWISE SPECIFIED TOLERANCE			
UNIT:	DECIMAL	LINEAR	ANGLES
mm	X.	±0.50	±5°
	X.X	±0.25	±3°
	X.XX	±0.12	±1°



DRAWN	Willis	2013/10/31	DRAWN NAME:	SD Socket Top Mount
CHECKED	Angel	2013/10/31	Push-Push Type, Card Lock Function	
APPROVED	Ken	2013/10/31	PRODUCT NO.	104H-TDA0-R01
	SCALE	SHEET	SIZE	FILE NAME
	2/1	2/3	A4	104H-TDA0-R01_B_4

WWW.ATTEND.COM.TW

REV.	DESCRIPTION	DRAWN	DATE
	SEE SHEET 1		



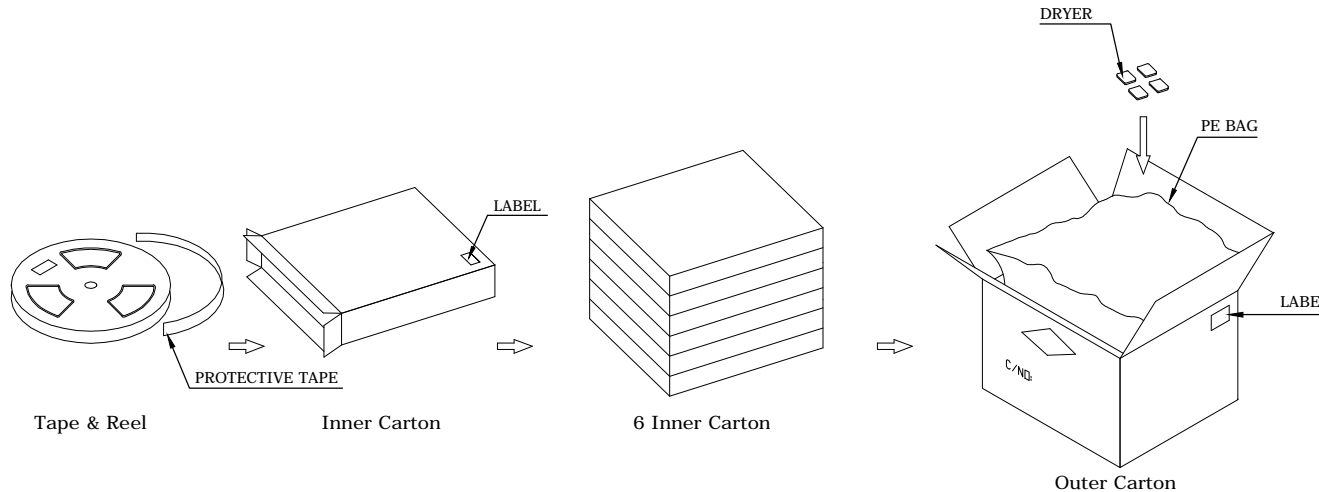
PACKAGING SPECIFICATION:

1. MATERIAL

- 1.1 Embossed Carrier Tape: PS Black
- 1.2 Top Cover Tape: PET
20-80g(Peel Speed 300mm/Minute)
- 1.3 Taping Reel: Plastic

2. PACKING

- 2.1 Quantity:
450 Piece/Reel
1 Reel/Inner Carton
6 Inner Carton/ Outer Carton
2,700 Piece/Outer Carton



UNLESS OTHERWISE SPECIFIED TOLERANCE

UNIT:	DECIMAL	LINEAR	ANGLES
mm	X.	±0.50	±5°
	X.X	±0.25	±3°
	X.XX	±0.12	±1°



WWW.ATTEND.COM.TW

DRAWN	Willis	2013/10/31
CHECKED	Angel	2013/10/31
APPROVED	Ken	2013/10/31
SCALE	0.6/1	SHEET 3/3
		SIZE A4

DRAWN NAME:	SD Socket Top Mount
	Push-Push Type, Card Lock Function
PRODUCT NO.	104H-TDA0-R01
FILE NAME	104H-TDA0-R01_B_4