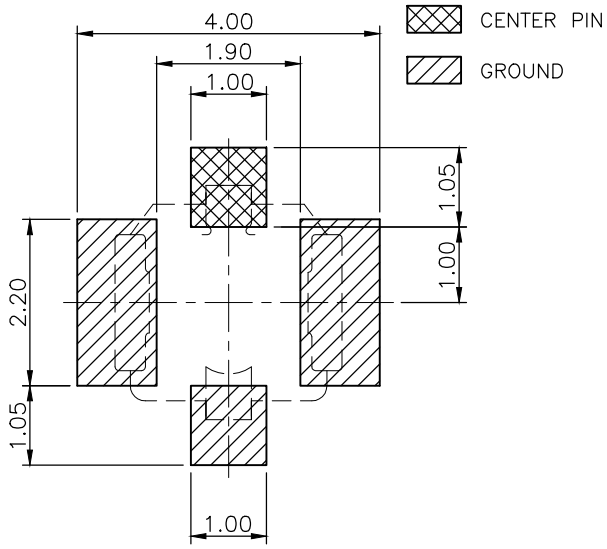
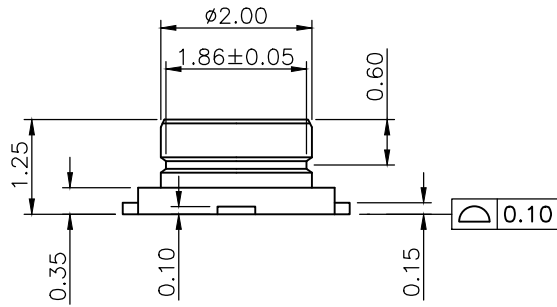
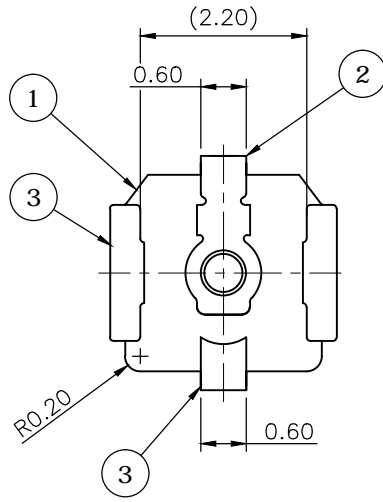
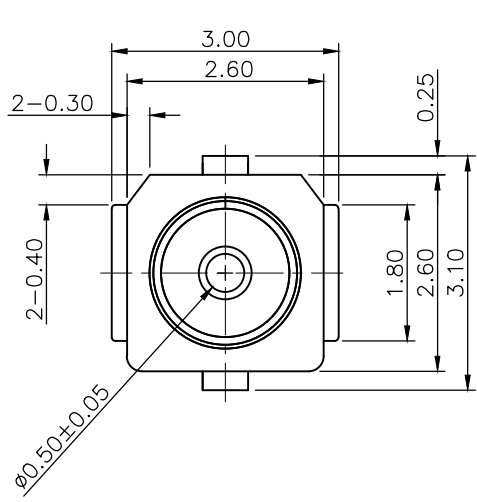


| REV. | DESCRIPTION           | DRAWN  | DATE       |
|------|-----------------------|--------|------------|
| 1    | INITIAL RELEASE       | Willis | 2014/07/17 |
| 2    | Revised by ECR1800016 | FROS   | 2018/08/09 |



RECOMMENDED LAYOUT (TOP VIEW)  
GENERAL TOLERANCE:  $\pm 0.05\text{mm}$

**SPECIFICATION:**

1. ELECTRICAL
  - 1.1 Current Rating: 1A
  - 1.2 Voltage Rating: 60VAC
  - 1.3 Contact Resistance:
    - Inner Contact (Initial): 20m $\Omega$
    - Ground Contact (Initial): 10m $\Omega$
  - 1.4 Insulation Resistance: 500M $\Omega$
  - 1.5 Dielectric Withstanding Voltage: 200VAC for 1 minute
  - 1.6 VSWR:
    - 100MHz to 3GHz: 1.3Max
    - 3GHz to 6GHz: 1.4Max
  - 1.7 Nominal Characteristic Impedance: 50 $\Omega$
  - 1.8 Applicable Frequency: 100MHz to 6GHz
2. MECHANICAL
  - 2.1 Durability: 30 Cycle
3. ENVIRONMENTAL
  - 3.1 Operating temperature range: -40°C~+85°C
  - 3.2 Storage temperature range: -40°C~+85°C
4. SOLDER ABILITY
  - 4.1 Recommended IR Reflow Temperature: 260°C

|                                      |            |  |            |
|--------------------------------------|------------|--|------------|
| 3                                    | GROUND     | Phosphor Bronze, Gold Flash              |            |
| 2                                    | CENTER PIN | Brass C2680, Gold Flash                  |            |
| 1                                    | HOUSING    | LCP, UL94V-0, Ivory                      |            |
| NO. PART NAME                        |            | DESCRIPTION                              |            |
| UNLESS OTHERWISE SPECIFIED TOLERANCE |            |  |            |
| UNIT:                                | DECIMAL    | LINEAR                                   | ANGLES     |
|                                      | mm         | X. ±0.20                                 | X.X ±5°    |
|                                      |            | X.X ±0.15                                | X.XX ±2°   |
|                                      |            | X.XX ±0.10                               | X.XX ±1°   |
| DRAWN                                |            | Willis                                   | 2014/07/17 |
| CHECKED                              |            | Angel                                    | 2014/07/17 |
| APPROVED                             |            | Ken                                      | 2014/07/17 |
| SCALE                                |            | 10/1                                     | SHEET 1/2  |
| SIZE                                 |            | A4                                       | FILE NAME  |
| DRAWN NAME:                          |            | Micro Coaxial RF Connector 1.25mm Height |            |
| PRODUCT NO.                          |            | 321A-33125                               |            |
| FILE NAME                            |            | 321A-33125_B_2                           |            |

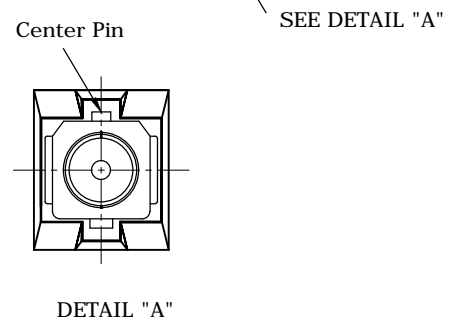
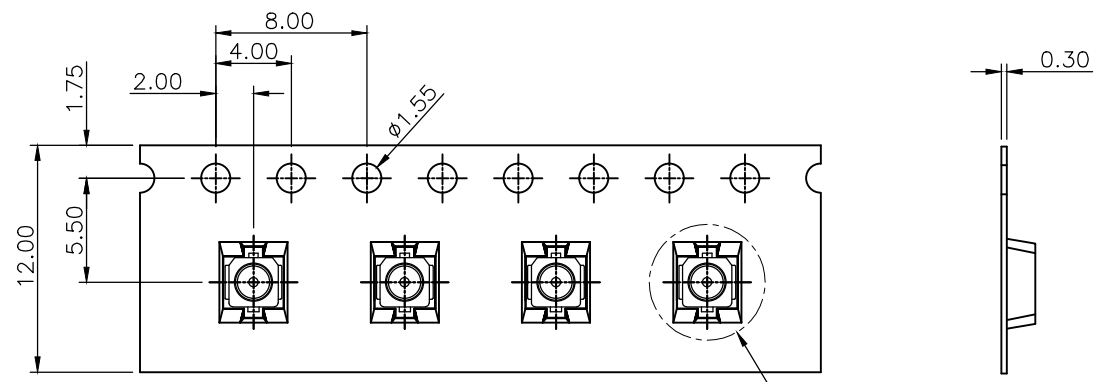
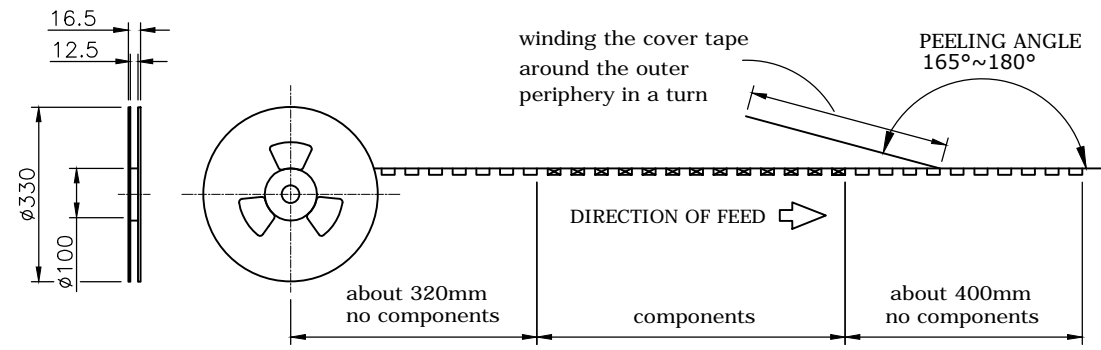



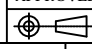
www.attend.com.tw

|      |               |       |      |
|------|---------------|-------|------|
| REV. | DESCRIPTION   | DRAWN | DATE |
|      | SEE SHEET ONE |       |      |

### PACKAGING SPECIFICATION:

1. MATERIAL
  - 1.1 Embossed Carrier Tape: PS, transparent
  - 1.2 Top Cover Tape: PET
  - 1.3 Taping Reel: Plastic
  - 1.4 Carton: Corrugated Fiber
2. PACKING
  - 2.1 Quantity:
    - 5,000 pcs/Reel
    - 10 Reel/Carton
  - 2.2 Net Weight: 0.077kg/Reel, 0.77kg/Carton
  - 2.3 Gross Weight: 0.54kg/Reel, 6.4kg/Carton
  - 2.4 Peeling Resistance: 10gf~130gf
  - 2.5 Carton Dimensions: 350Lx350Wx215H



|   |                |              |   |  |                |
|---|----------------|--------------|---|--|----------------|
| UNLESS OTHERWISE SPECIFIED TOLERANCE  |                |              |   | <br>www.attend.com.tw |                |
| UNIT:   | DECIMAL        | LINEAR       | ANGLES  |  |                |
| mm  | X.             | ±0.20        | ±5°   |  |                |
|   | X.X            | ±0.15        | ±2°   |  |                |
|   | X.XX           | ±0.10        | ±1°   |  |                |
| DRAWN   | Willis         | 2014/07/17   | DRAWN NAME:<br>Micro Coaxial RF Connector 1.25mm Height |  |                |
| CHECKED   | Angel          | 2014/07/17   |   |  |                |
| APPROVED  | Ken            | 2014/07/17   | PRODUCT NO.   | 321A-33125   |                |
|  | SCALE<br>2.5/1 | SHEET<br>2/2 | SIZE<br>A4  | FILE NAME  | 321A-33125_B_2 |