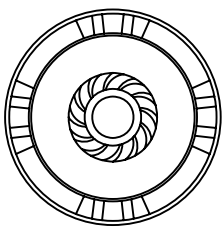
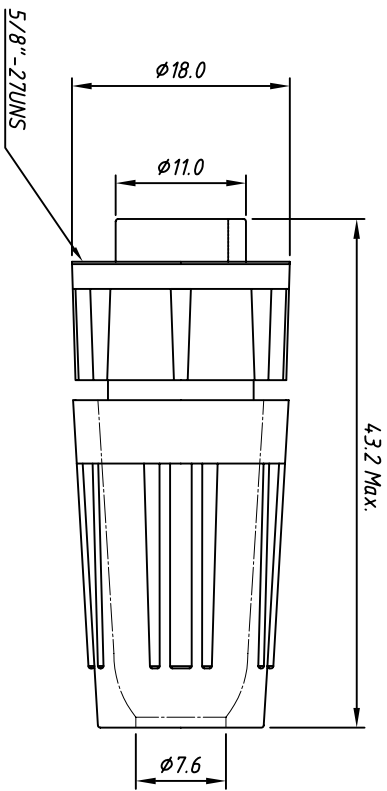


Front view



Back view

Order information

L-KLS15-249-XX F2

L: RoHS
 XX: Number of Contacts
 F2: Female Type, Screw thread

No.	Solder inter diamte	Contacts resistance Max.
2	Ø1.6mm	6 mΩ
3	Ø1.6mm	6 mΩ
4	Ø1.0mm	3 mΩ
5	Ø1.0mm	3 mΩ
6	Ø1.0mm	3 mΩ
7	Ø1.0mm	3 mΩ
8	Ø1.0mm	3 mΩ
10	Ø1.0mm	3 mΩ
12	Ø1.0mm	3 mΩ

Material: Brass, Gold Plated/Silver plated
Contact: PA66+30%GF
Connector Body: PA66+30%GF
Insert Body: PA66+30%GF
Sealing: O-ring
Electrical & Mechanical data
Waterproof Rating: IP67, Mated
Current Rating: 10A
Voltage Rating: 200V
Insulation resistance: 2000 MΩ Min.
Withstanding Voltage: 1500V AC
Cable OD: Ø3.5~6.5mm
Orientation: Straight
Mating Life: 500 cycles Min.
Temperature Range: -40°C ~ +105°C

GENERAL TOLERANCE	ANGLE TOLERANCE	PROJECTION		Description:
		UNITS	mm	
X: ±0.60 .X: ±0.38 .XX: ±0.25	X: ±5° .X: ±3° .XX: ±2°	mm	A4	IP67 Circular Connectors, Screw thread, Female Plug
KLS P/N:		KLS15-249-xF2		

Draw by: Date
 Check by: Date
 SCALE SHEET OF

KLS ELECTRONIC CO., LTD.