

Connector

connectors industrial circular Series

KLS15-241-4F1 Connectors Industrial Circular Series

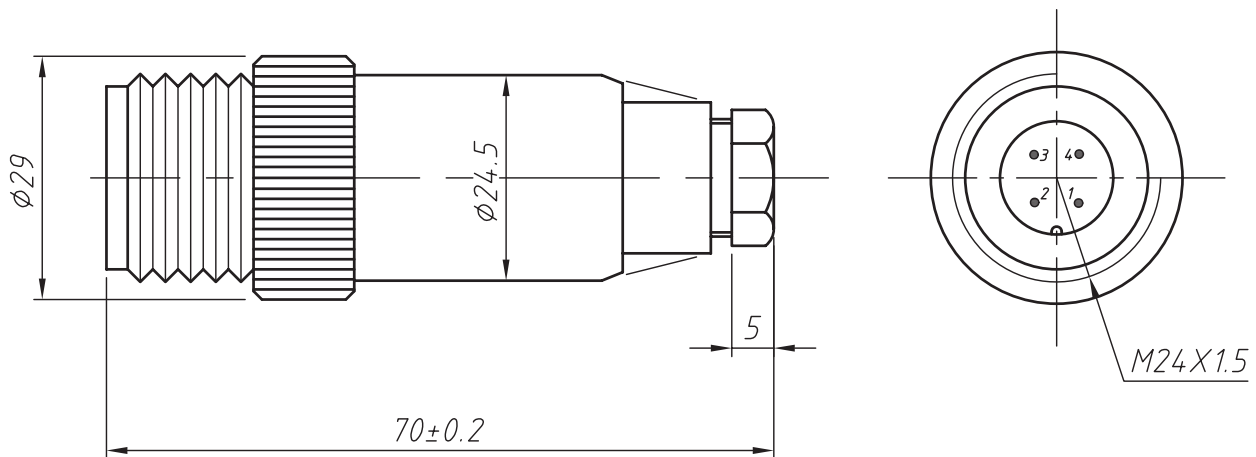
Safety approval : UL Water proof IP: 67
Subminiature aviation linkers are widely used for the Hi-Tech trade. The appearances of the products has two kinds, plug-type and thread type. Used in the installation of the panel, small, exquisite and sensitive. It's nickel-plated and easy to plug-in.

Electrical Characteristics:

- Rated current: 5A
- Rated Voltage: 250V
- Insulation resistance : 1500MΩ DC 500V
- Contact resistance: 10 mΩ DC 1A
- Operation Voltage: 200 VAC
- Withstanding Voltage : 1500 VAC
- Endurance: 500 cycles
- Temperature range: -45°C ~ +105°C

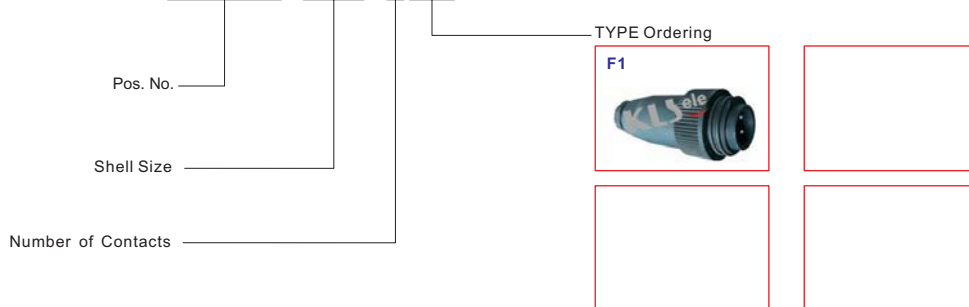
Material:

- Material of housing: PA
- Contact plating: CuSnZn / Au



ORDER INFORMATION

Product No.: **KLS15-241-4F1**



connectors industrial circular Series

KLS15-241-7F1 Connectors Industrial Circular Series

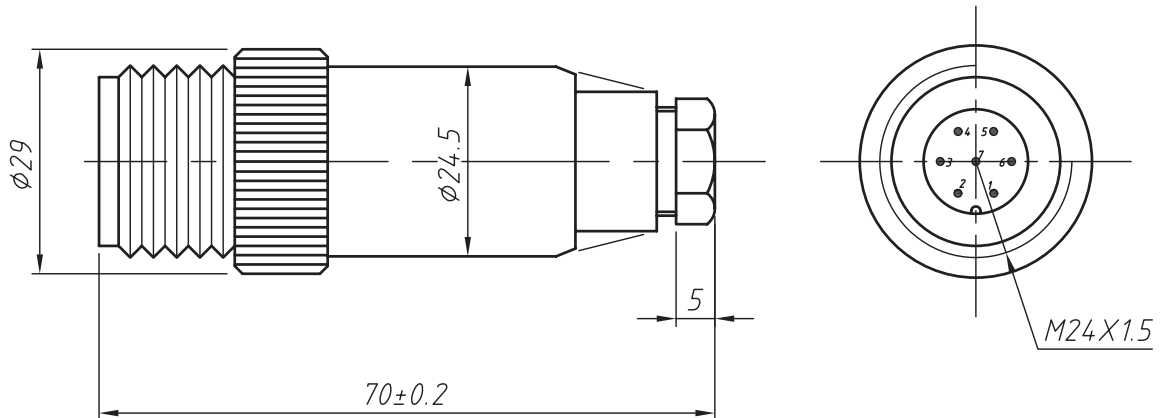
Safety approval : UL Water proof IP: 67
Subminiature aviation linkers are widely used for the Hi-Tech trade. The appearances of the products has two kinds, plug-type and thread type. Used in the installation of the panel, small, exquisite and sensitive. It's nickel-plated and easy to plug-in.

Electrical Characteristics:

- Rated current: 5A
- Rated Voltage: 250V
- Insulation resistance : 1500MΩ DC 500V
- Contact resistance: 10 mΩ DC 1A
- Operation Voltage: 200 VAC
- Withstanding Voltage : 1500 VAC
- Endurance: 500 cycles
- Temperature range: -45°C ~ +105°C

Material:

- Material of housing: PA
- Contact plating: CuSnZn / Au



ORDER INFORMATION

Product No.: **KLS15-241-7F1**

