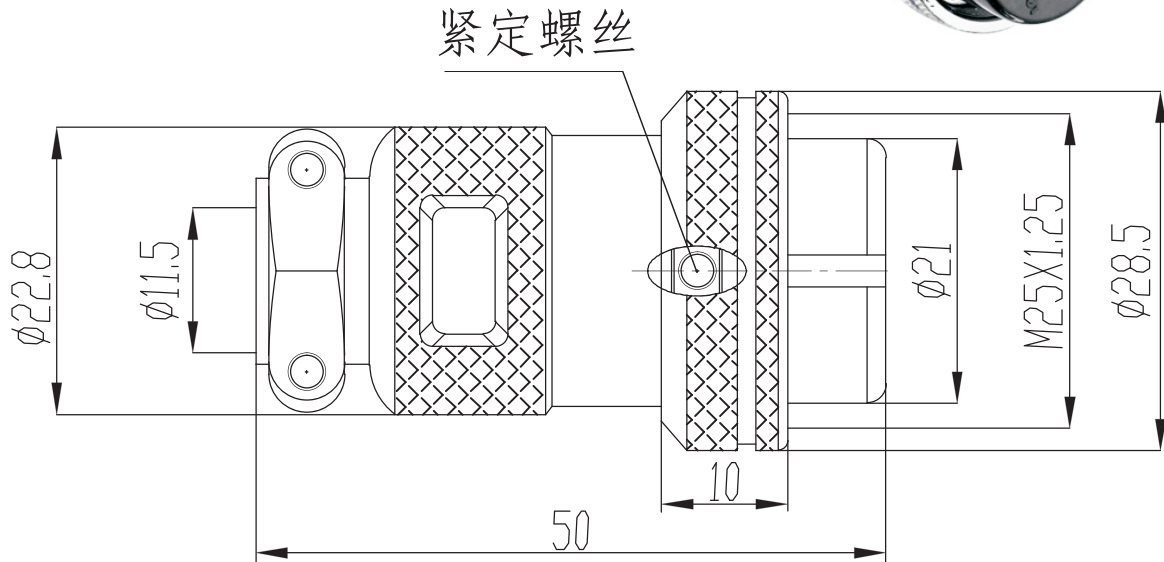


Circular Connectors

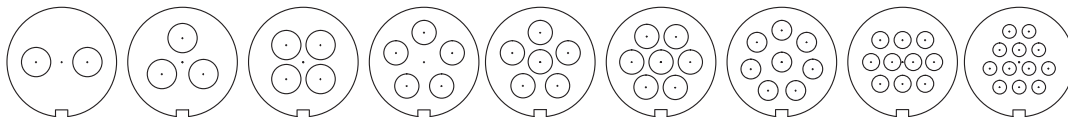
KLS15-225-M25 M25 Connector

Material and spec:

Coupling: Threaded coupling
 Shell material: Zinc alloy with nickelplate
 Insert material: bakelite
 Contact material: silverplatedcoper/gold
 Termination: Solder
 Mating cycle: 500
 Temperature range: -20°C~+85°C
 Cable diameter: ≤φ11.5mm



孔位排列 (从针方向看)



Number of contact	2	3	4	5	6	7	8	10	12
Rated current\Voltage	20A300V	20A300V	15A250V	15A250V	12A250V	12A250V	7A150V	7A150V	5A150V
Operation limit Voltage	500V	500V	400V	400V	300V	300V	200V	200V	200V
est Voltage	2000V	2000V	2000V	1500V	1500V	1500V	1500V	1500V	1500V
Insulation resistance (MΩ) dc500V	2000V	2000V	2000V	2000V	2000V	2000V	2000V	2000V	2000V
Contact resistance (mΩ) dc1A	1	1	1	1	1	1	3	3	3
Contact resistance φ()	2.4	2.4	2.4	2.4	2.4	2.4	1.6	1.6	1.3
Solder inter diameter φ()	3.5	3.5	3.5	3.0	3.0	3.0	2.0	2.0	1.5

ORDER INFORMATION

Product NO.: **KLS15-225-M25-4F**

