



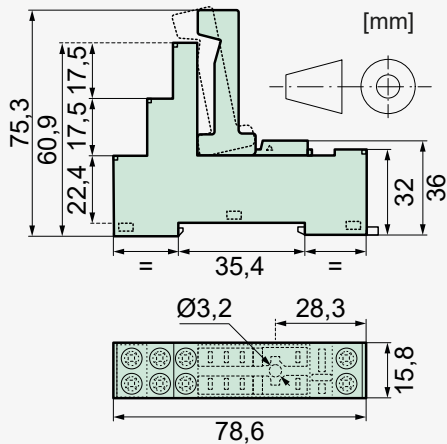
## DIN rail socket SRD-GR2A KV2 (ZM825)

### Socket data

- With plastic retaining bracket and marking tag (1 pc)
- Plug-in socket with screw terminals
- Assembly on DIN rail 35 mm or single-hole mounting with M3 screw



### Dimensions



### Technical data

Rated current	2 x 8A
Rated voltage	250 VAC
Test voltage coil/contacts	5000 Vrms
<b>Please also observe the test voltage of the relay!</b>	
Insulation class IEC 60664-1	250 VAC
Creepage resistance	CTI 250
Weight	approx. 46 g
Ambient temperature	-40°C to +70°C
Cross sections for connection with wires	
wires	1 x 6 mm <sup>2</sup> or 2 x 2.5 mm <sup>2</sup>
end sleeves for strands	1 x 6 mm <sup>2</sup> or 2 x 2.5 mm <sup>2</sup>
Maximum torque	0,5 Nm
Packing unit	20 pcs
Approvals	UL, cUL

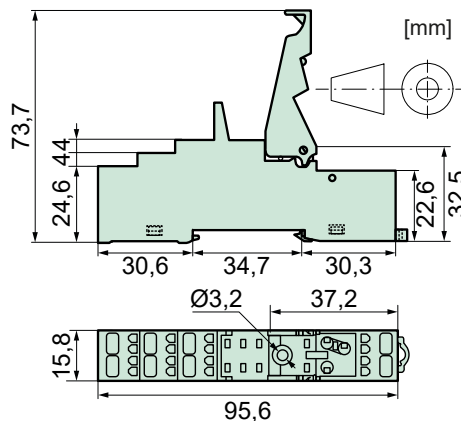
## DIN rail socket SRD-GR2A KV2 PIK (ZMP825)

### Socket data

- With plastic retaining bracket and marking tag (1 pc)
- Socket with push in contacts (PIK)
- Assembly on DIN rail 35 mm or single-hole mounting with M3 screw



### Dimensions



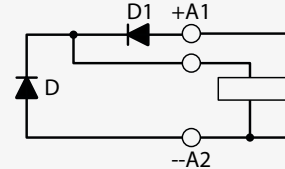
### Technical data

Rated current	2 x 8A
Rated voltage	250 VAC
Test voltage coil/contacts	5000 Vrms
<b>Please also observe the test voltage of the relay!</b>	
Insulation class IEC 60664-1	250 VAC
Creepage resistance	CTI 250
Weight	approx. 40 g
Ambient temperature	-40°C to +70°C
Cross sections for connection with wires	
wired	2x (0,2 ... 1,5) mm <sup>2</sup>
with end sleeves for strands	2x (0,2 ... 1,5) mm <sup>2</sup>
Maximum torque	0,5 Nm
Packing unit	20 pcs
Approvals	UL, cUL

## Modules

### Module SRD-GR2A M01

- For DIN rail socket SRD-GR2A KV2 and SRD-GR2A KV2 PIK
- With free-wheeling diode



### Module SRD-GR2A M03

- For DIN rail socket SRD-GR2A KV2 and SRD-GR2A KV2 PIK
- Free-wheeling diode with green LED

