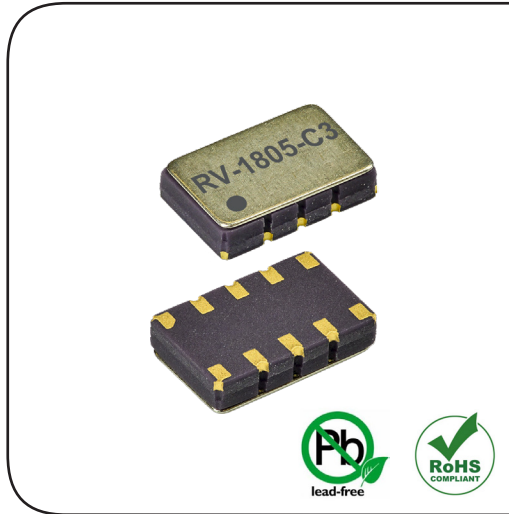
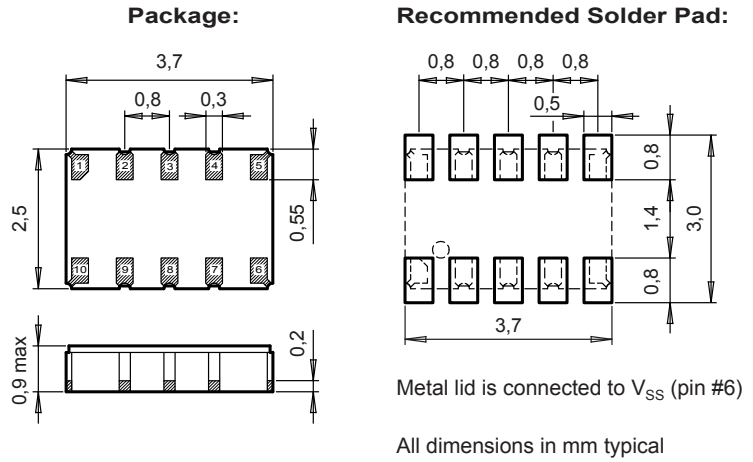


RV-1805-C3

Extreme Low Power RTC Module



DIMENSIONS



APPLICATIONS

IoT
 Metering
 Industrial
 Health Care
 Wearables, Portables

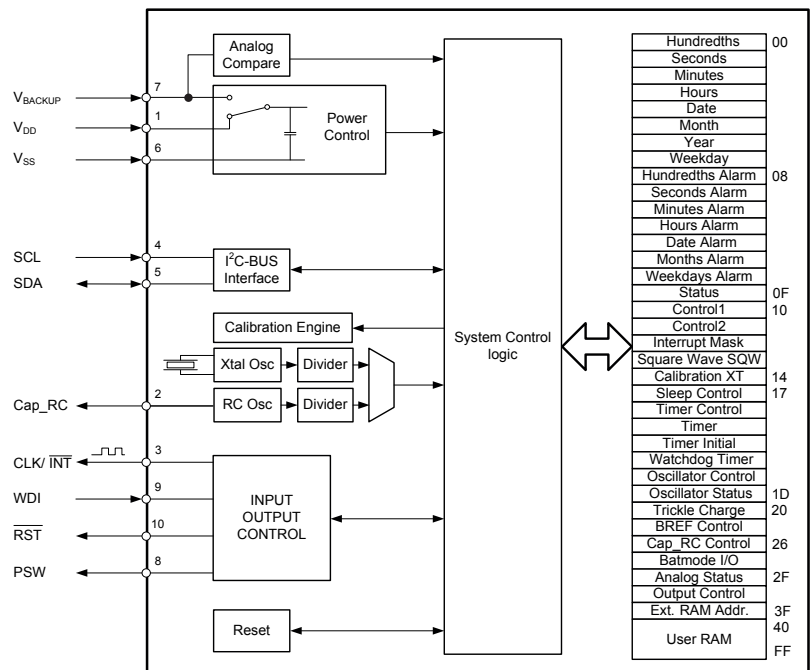
DESCRIPTION

The RV-1805-C3 is a SMT Real-Time Clock Module that incorporates an integrated CMOS circuit together with an XTAL. It operates under vacuum in a hermetically sealed ceramic package with metal lid.

FEATURES

Extreme low power consumption: XTAL mode, 60 nA @ 3 V.
 RC mode, 17 nA @ 3 V. RC autocalibration mode, 22 nA @ 3 V.
 Operating voltage range: 1.5 V to 3.6 V.
 Time accuracy: Factory calibrated to ± 2 ppm @ 25°C.
 User programmable offset value.
 Automatic Backup Switchover and Trickle Charger function.
 Provides year, month, date, weekday, hours, minutes, seconds, 100th.
 Timer, Alarm, External event and Watchdog functions.
 Clock output frequencies: 32.768 kHz to 1/60 Hz.
 256 bytes user RAM.
 I²C-bus interface: 400 kHz.
 100% Pb-free, RoHS-compliant.
 Qualification according to AEC-Q200.

BLOCK DIAGRAM



ELECTRICAL CHARACTERISTICS AT 25°C

More detailed information can be found in the Application Manual.

	Symbol	Condition	Min.	Typ.	Max	Unit
Supply voltage	V _{DD}	Time keeping	1.5		3.6	V
Current consumption Time keeping mode	I _{DDO}	XTAL mode, V _{DD} 3 V		60	80	nA
		RC mode, V _{DD} 3 V		17	25	
		RC autocal., V _{DD} 3 V		22	32	
CLKOUT frequency	F _{CLKOUT}	Programmable	32'768 to 1/60			Hz
Time accuracy	Δt/t	@ 25°C	±2			ppm
Aging first year max.	ΔF/F	@ 25°C	±3			ppm

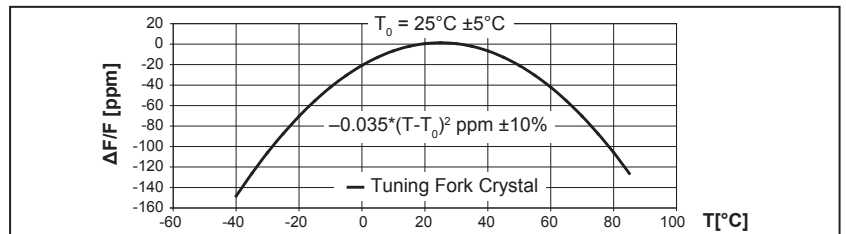
ENVIRONMENTAL CHARACTERISTICS

	Conditions	Max. Dev.
Storage temp. range	-55 to +125°C	
TA Operating temperature range	-40 to +85°C	
Shock resistance	ΔF/F 5000 g, 0.3 ms, ½ sine	±5 ppm
Vibration resistance	ΔF/F 20 g / 10–2000 Hz	±5 ppm

TERMINATIONS AND PROCESSING

Package	Termination	Processing
SON-10	Au flashed pads	IPC/JEDEC J-STD-020C 260°C / 20 - 40 s

FREQUENCY TEMPERATURE CHARACTERISTICS



PIN CONNECTIONS TOP VIEW

Pin	Connection
1	V _{DD} Power Supply Voltage
2	Cap_RC Capacitor RC Osci.
3	CLK/INT̄ Clock Output/Interrupt
4	SCL Serial Clock Input
5	SDA Serial Data
6	V _{SS} Ground
7	V _{BACKUP} Backup Supply Voltage
8	PSW Power Switch Output
9	WDI Watchdog Input
10	RST̄ Reset Output

ORDERING INFORMATION

RV - 1805 - C3 TA QC	Qualification
RTC module	QC = Commercial Grade (Standard)
Product type	Temperature range
Package size	TA = -40 to +85°C (Standard)
C3 = 3.7 x 2.5 x 0.9 mm	

A unique part number will be generated for each product specification, i.e:	
20xxxx-MG01	1'000 pcs (in 12 mm tape on 7" reel)
20xxxx-MG03	3'000 pcs (in 12 mm tape on 7" reel)

All specifications subject to change without notice.



A COMPANY OF THE SWATCH GROUP

Micro Crystal AG
Muehlestrasse 14
CH-2540 Grenchen
Switzerland

Phone +41 32 655 82 82
Fax +41 32 655 82 83
sales@microcrystal.com
www.microcrystal.com