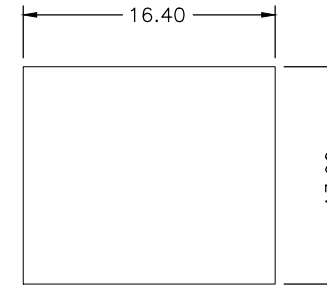
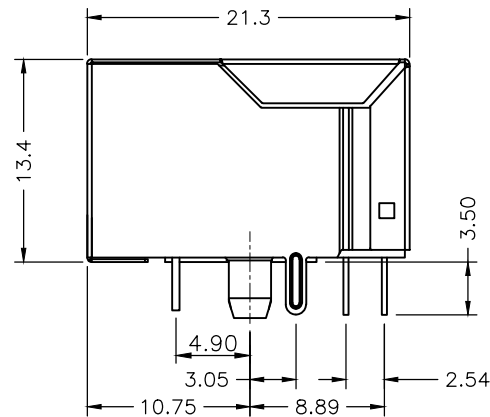
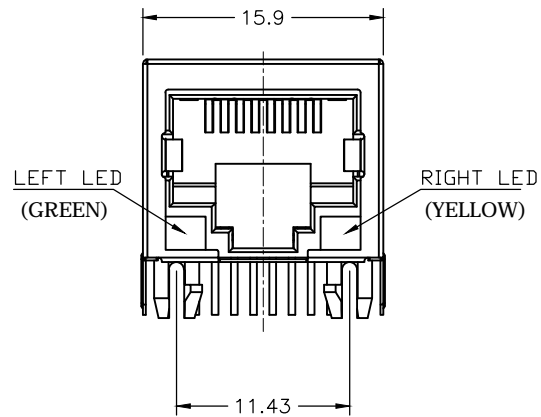
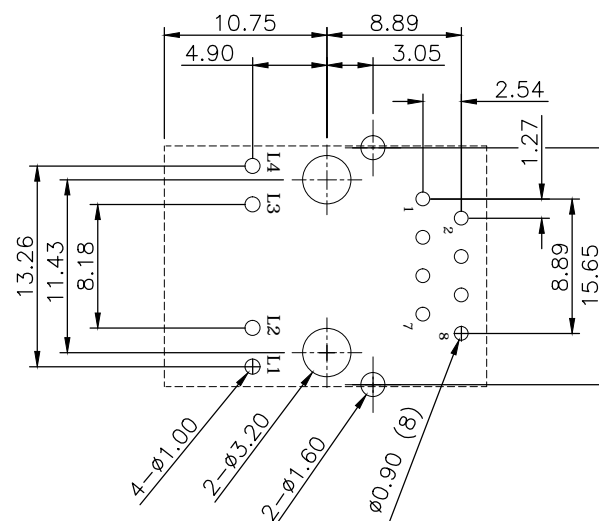
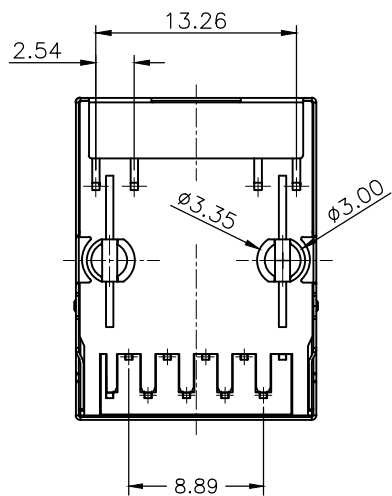


REV.	DESCRIPTION	DRAWN	DATE
1	INITIAL RELEASE	FROS	2019/04/11



Recommend Panel Cut



**RECOMMENDED LAYOUT (TOP VIEW)**  
**GENERAL TOLERANCE:  $\pm 0.05\text{mm}$**

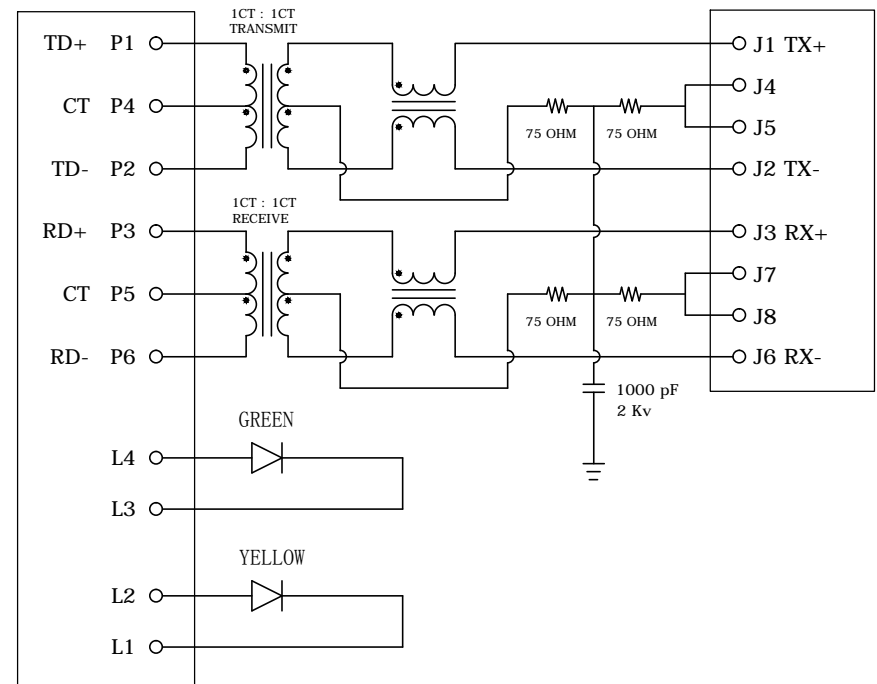
3	SHELL	Copper 0.2t, Nickel Plating		
2	CONTACT	Phosphor Bronze 0.35t, Gold plating on contact, Tin plating on tails, under Nickel plating		
1	HOUSING	PBT, UL94V-0, Black		
NO. PART NAME		DESCRIPTION		
UNLESS OTHERWISE SPECIFIED TOLERANCE				
UNIT:	DECIMAL	LINEAR	ANGLES	
	X.	$\pm 0.50$	$\pm 5^\circ$	
	X.X	$\pm 0.25$	$\pm 3^\circ$	
mm	X.XX	$\pm 0.12$	$\pm 1^\circ$	
www.attend.com.tw				
DRAWN	Fros	2019/04/11	DRAWN NAME:	
CHECKED	Tim	2019/04/11	RJ45 Transformer Jack, 1x1 Port w/LED (G+Y), w/o EMI Tab, Down Latch, 10/100, PBT, 6u"	
APPROVED	Ken	2019/04/11	PRODUCT NO.	213A-11C00
SCALE		SHEET	SIZE	FILE NAME
2/1		1/2	A4	213A-11C00_B_1



REV.	DESCRIPTION	DRAWN	DATE
	SEE SHEET ONE		

CONNECTOR SOLDER SIDE

RJ45 CONTACT SIDE




SCHEMATIC

5. ELECTRICAL CHARACTERISTICS :

TEST NOTES:(25°±5°C)

- TR: (100KHz, 0.1V); 100%  
PINS: (P1,P2):(J1,J2)=1:1±3%; (P3,P6):(J3,J6)=1:1±3%
- LX: (100KHz, 100mV, 8mA, DC Bias) 100%  
PINS: (P1,P2), (P3,P6)= 350uH MINIMUM
- DCR: 100%  
PINS: (J1,J2), (J3,J6)= 1.2 MAXIMUM
- HIPOT: 100%  
PINS (P1,P2) TO (J1,J2), (P3,P6) TO (J3,J6)= 1500VAC FOR 2 SECONDS
- INSERTION LOSS:  
-1.0dB MAXIMUM AT 1MHz TO 100MHz;
- RETURN LOSS:  
-20dB MINIMUM AT 1MHz TO 30MHz;  
-15dB MINIMUM AT 30MHz TO 60MHz  
-10dB MINIMUM AT 60MHz TO 80MHz
- CROSS TALK:  
-30dB MINIMUM AT 1MHz TO 100MHz
- COMMON TO COMMON MODE REJECTION:  
-30dB MINIMUM AT 1MHz TO 100MHz

UNLESS OTHERWISE SPECIFIED TOLERANCE				 www.attend.com.tw			
UNIT:	DECIMAL	LINEAR	ANGLES				
mm	X.	±0.50	±5°				
	X.X	±0.25	±3°				
	X.XX	±0.12	±1°				
DRAWN	Fros	2019/04/11	DRAWN NAME:				
CHECKED	Tim	2019/04/11	RJ45 Transformer Jack, 1x1 Port w/LED (G+Y), w/o EMI Tab, Down Latch, 10/100, PBT, 6u"				
APPROVED	Ken	2019/04/11	PRODUCT NO.	213A-11C00			
SCALE	N/A	SHEET	SIZE	FILE NAME	213A-11C00_B_1		
		2/2	A4				