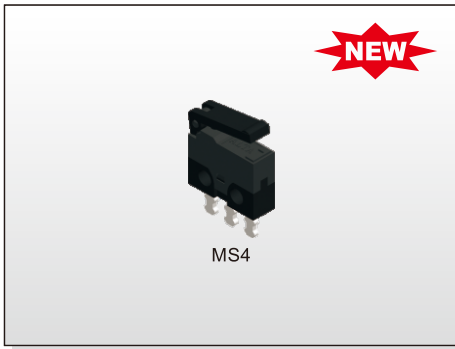


# MICRO SWITCH MS4 SERIES



MS4

## FEATURES

- ※8.2x2.7x6.15mm
- ※PCB
- ※Vertical & Right Angle

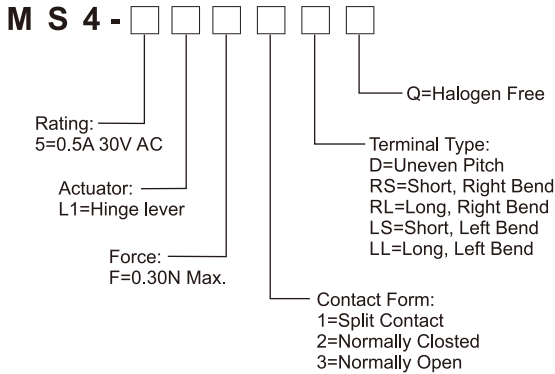
## APPLICATION

- ※Mapping device
- ※Small audio equipment
- ※OA equipment
- ※Portable electronic devices

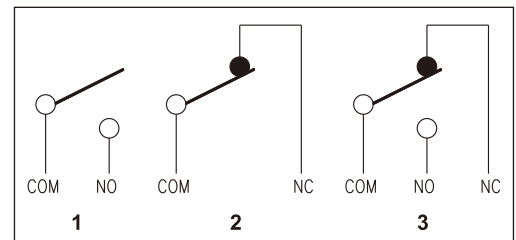
## SPECIFICATION

Contact Rating	0.3A, 30V DC
Mechanical Durability	100,000 cycles (60 Operations/min)
Electrical Durability	50,000 cycles (20 Operations/min)
Contact Resistance	100mΩ max.
Insulation Resistance	100MΩ min. (at 500V VDC)
Dielectric Strength	Between terminals of the same polarity: 250 V AC(50Hz or 60Hz) shall be applied across terminals for 1 minute
	Between each terminal and ground: 250 V AC(50Hz or 60Hz) shall be applied across terminals for 1 minute
Operating Frequency	Machanical: 60 operations/min max. Electrical: 20 operations/min max.
Operating Temp.	-40°C ~ +85°C

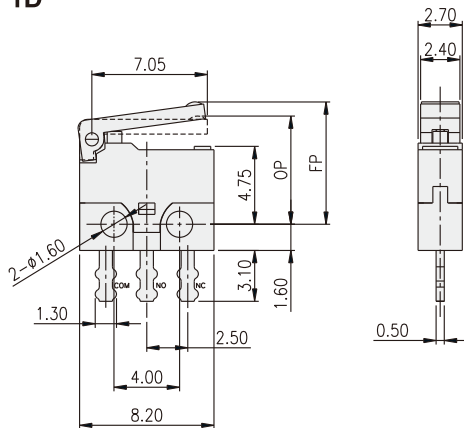
## HOW TO ORDER



## CIRCUIT



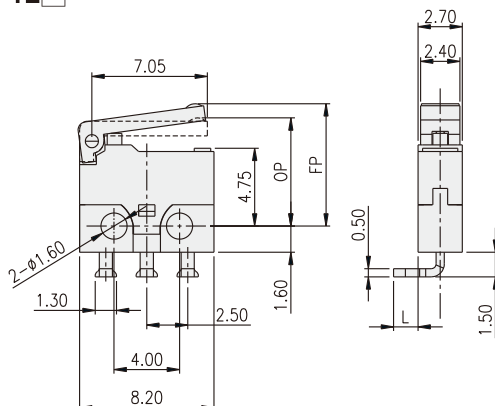
## MS4-5L1F1D



### OPERATING CHARACTERISTICS

ITEM	SPEC.
OPERATING FORCE	0.50N MAX.
RELEASE FORCE	0.03N MIN.
OVERTRAVEL	0.30mm MIN.
MOVEMENT DIFFERENTIAL	0.70mm MAX.
OPERATING POSITION	6.70±0.50mm
FREE POSITION	8.0mm MAX.
PRETRAVEL	1.80mm MAX.

## MS4-5L1F1L



PART NO	L
MS4-5L1F1LSQ	1.50
MS4-5L1F1LLQ	3.10

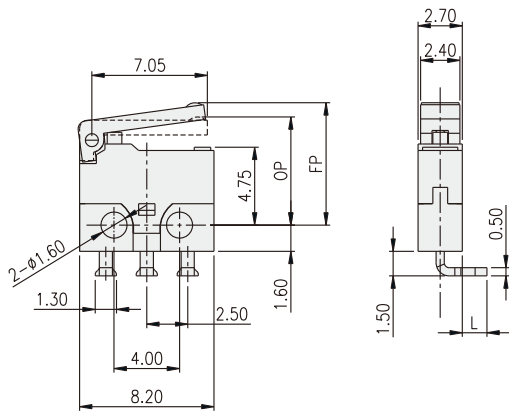
### OPERATING CHARACTERISTICS

ITEM	SPEC.
OPERATING FORCE	0.50N MAX.
RELEASE FORCE	0.03N MIN.
OVERTRAVEL	0.30mm MIN.
MOVEMENT DIFFERENTIAL	0.70mm MAX.
OPERATING POSITION	6.70±0.50mm
FREE POSITION	8.0mm MAX.
PRETRAVEL	1.80mm MAX.

MICRO SWITCH  
**MS4** SERIES



MS4-5L1F1R□



PART NO	L
MS4-5L1F1RSQ	1.50
MS4-5L1F1RLQ	3.10

OPERATING CHARACTERISTICS

ITEM	SPEC.
OPERATING FORCE	0.50N MAX.
RELEASE FORCE	0.03N MIN.
OVERTRAVEL	0.30mm MIN.
MOVEMENT DIFFERENTIAL	0.70mm MAX.
OPERATING POSITION	6.70±0.50mm
FREE POSITION	8.0mm MAX.
PRETRAVEL	1.80mm MAX.