

Features

- ▣▣▣▣ **Frequencies from 30MHz to 1GHz**
- ▣▣▣▣ **Custom specifications available**
- ▣▣▣▣ **Industry standard package configurations**
- ▣▣▣▣ **Compatible with EPCOS, Fujitsu, Murata etc**

Standard Models

Model Number	Centre Frequency (MHz)	Band width (MHz)	Ins Loss (dB)	Package	Application
TB0807A	33.9	5	17.5	17.2x8.9	Wireless Comms
TB0808A	33.9	5	16.0	17.2x8.9	Wireless Comms
TB0809A	33.9	2	17.8	17.2x8.9	Wireless Comms
TB0834A	33.9	5	15.5	13.7x4.9	Digital TV
TB1072A	33.9	5	15.5	13.8x4.6	Digital TV
TB0692A	35.225	7.7	23.7	14.8x5.8	Digital TV
TB0386A	35.46	8.82	20.0	13.7x6.5	Wireless Comms
TB1016A	36	7.8	21.3	13.8x4.9	Digital TV
TB0244A	36.125	7.8	31	16.3x6.3	Cable Modem
TB0257A	36.125	7.8	31	16.3x6.3	Cable Modem
TB0176A	36.125	8	23.7	13.7x4.8	Pager
TB0601A	36.125	7.9	27.0	10.8x3.8	Wireless Comms
TB0645A	36.125	8	22.8	14.8x5.8	Wireless Comms
TB0500A	36.17	7.9	23.0	13.7x4.8	Wireless Comms
TB0797A	36.17	7.2	22.5	13.8x4.9	Wireless Comms
TB1045A	37.8	5.9	20.0	13.3x6.5	Test Equipment
TB0796A	38	3	15.9	13.7x4.9	Wireless Comms
TB0612A	38.9	1	12.2	17.3x8.5	Wireless Comms
TB0834A	38.9	5	15.5	13.7x4.9	Digital TV
TB0199A	38.912	1.4	25.0	9.1x4.8	DAB
TB0209A	38.912	1.45	20.2	F-11 (5p)	DAB
TB0275A	38.912	1.6	25	11.4x5.1	Wireless Comms
TB0318A	40	5	12.0	7.0x5.0	Pager
TB0207A	43.75	5.93	26	16.3x4.0	Cable Modem
TB0258A	43.75	5.93	26	16.3x4.0	Wireless Comms
TB0182A	43.75	6	16.5	13.7x4.8	Wireless Comms
TB1021A	43.75	6	16	13.1x7.15	Digital TV
TB0362A	44	1.7	17.5	13.7x6.5	Wireless Comms
TB0363A	44	3.4	16	13.7x6.5	Wireless Comms
TB0364A	44	6.5	16	13.7x6.5	Wireless Comms
TB0473A	44	5	28.5	13.7x4.8	Wireless Comms
TB0486A	44	5.6	16.0	13.7x4.8	Pager
TB0496A	44	6	16.7	13.7x4.8	Digital TV
TB0487A	45.75	3.6	15.8	13.7x4.8	Wireless Comms
TB0411A	48	9	16.0	13.7x6.5	Wireless Comms
TB0412A	48	3.125	16	13.7x6.5	Wireless Comms
TB1020A	49.17	1	10	13.1x7.15	Digital TV
TB1076A	49.17	1	10	13.1x5.65	Digital TV
TB0281A	50	5.62	11	13.7x6.5	Wireless Comms
TB0282A	50	10.6	15	13.7x6.5	Wireless Comms
TB0887A	55	0.5	17	13.7x6.55	WLL
TB0752A	56	13	15.0	13.7x6.5	Wireless Comms
TB0224A	60	5	12	13.7x6.5	Wireless Comms
TB0635A	60	9.6	14.0	13.7x6.5	Wireless Comms
TB0634A	60	4.8	14.0	13.7x6.5	Wireless Comms

Standard Models (continued)

Model Number	Centre Frequency (MHz)	Band width (MHz)	Ins Loss (dB)	Package	Application
TB0636A	60	20	18.5	13.7x6.5	Wireless Comms
TB0728A	61.38	1.8	10.0	13.7x6.5	Wireless Comms
TB0888A	62	1	18	7.0x5.0	WLL
TB1065A	63.3	4	12.0	13.3x6.5	Digital TV
TB0395A	64.8	9	13.0	13.7x6.5	Wireless Comms
TB0195A	70	3.0	8.2	13.7x6.5	70MHz Series
TB0194A	70	5.0	9	13.7x6.5	70MHz Series
TB0193A	70	7.0	9.5	13.7x6.5	70MHz Series
TB0202A	70	19.7	16.5	13.7x6.5	70MHz Series
TB0214A	70	16	13.2	13.7x6.5	70MHz Series
TB0225A	70	9.2	24	13.7x6.5	70MHz Series
TB0227A	70	1.1	20.0	19.0x6.5	70MHz Series
TB0229A	70	12.1	26.0	20.2x12.6	70MHz Series
TB0230A	70	19.5	26.0	20.2x12.6	70MHz Series
TB0211A	70	4	9.5	13.7x6.5	70MHz Series
TB0184A	70	3.5	23	13.7x6.5	70MHz Series
TB0212A	70	6	9.0	13.7x6.5	70MHz Series
TB0185A	70	7	23	13.7x6.5	70MHz Series
TB0213A	70	9	11.5	13.7x6.5	70MHz Series
TB0186A	70	20	17.5	13.7x6.5	70MHz Series
TB0278A	70	21.25		19.0x6.5	Wireless Comms
TB0460A	70	11.77	13.0	13.7x6.5	Wireless Comms
TB0505A	70	0.03	6	13.7x6.5	Wireless Comms
TB0474A	70	35	20	13.7x6.5	Wireless Comms
TB0691A	70	1.3	12	13.7x6.5	Wireless Comms
TB0693A	70	0.8	11.5	13.7x6.5	Wireless Comms
TB0740A	70	9	12.0	13.7x6.5	Wireless Comms
TB0940A	70	1.3	22.0	35x12.8	70MHz Series
TB0941A	70	3.2	28.0	35x12.8	70MHz Series
TB1001A	70	1.4	20.0	19.0x6.5	Base Station
TB1028A	70	6	11.0	13.3x6.5	Base Station
TB1040A	70	1.7	24.0	34.7x12.7	Base Station
TB1027A	70	4.0	12.0	13.3x6.5	Test Equipment
TB1044A	70	2.25	22	34.7x12.7	Base Station
TB0630A	71	0.25	8.0	13.7x6.5	70MHz Series
TB0466A	72.96	6	14	13.7x6.5	Wireless Comms
TB0259A	73.125	0.015	8	13.7x6.5	Wireless Comms
TB0885A	77.5	1	12.5	13.7x6.5	WLL
TB0444A	78	0.015	8	13.7x6.5	Wireless Comms
TB0753A	79	13	15.0	13.7x6.5	Wireless Comms
TB0292A	80	9	11.5	13.7x6.5	Wireless Comms
TB0646A	81	54	25	13.7x6.5	Wireless Comms
TB0586A	83.16	30	5.0	11.4x5.1	Wireless Comms
TB0497A	86.6	0.34	6.5	19.0x6.5	Wireless Comms
TB0479A	96	1.6	15	13.7x6.5	Cellular Phones
TB0889A	97	1	16.5	7.0x5.0	WLL

Continued on next page...

Ordering Information

Product name + model number
eg: **GSIF TB0376A**

- ◆ Pad configurations and package heights may vary from those shown - please ask for a full specification sheet before ordering
- ◆ Full specifications of all models are available on request

Standard Models (continued)

Model Number	Centre Frequency (MHz)	Band width (MHz)	Ins Loss (dB)	Package	Application
TB0754A	104	20	15.0	13.7x6.5	Wireless Comms
TB0894A	106	15	27	22x12.6	WLL
TB0768A	109	0.035	6	9.1x7.1	Wireless Comms
TB0770A	109	5.8	12.5	13.7x6.5	Wireless Comms
TB0791A	109.8	0.2	9.5	11.4x5.1	Wireless Comms
TB0681A	110	0.2	12	9.1x7.1	Wireless Comms
TB0654A	110	1.98	18	24.7x9.0	Wireless Comms
TB0197A	110.592	1.0	12.0	9.1x7.1	DECT
TB0603A	110.592	1.152	10	7.0x5.0	Wireless Comms
TB112EE	112.32	1.1	12.5	9.1x7.1	DECT
TB0890A	113	1	14.5	7.0x5.0	WLL
TB0196A	119.64	0.03	5.5	7.0x5.0	Cellular Phones
TB0777A	119.64	0.005	5.5	7.0x5.0	Wireless Comms
TB0763A	120	15	20.0	13.7x6.5	Wireless Comms
TB0467A	125	30	13.5	13.7x6.5	Wireless Comms
TB0682A	130.06	0.16	8.5	7.0x5.0	Wireless Comms
TB1015A	130.34	27	16.0	13.3x6.5	Base Station
TB1036A	130.34	27	16.0	7.0x5.0	Base Station
TB0571A	135.42	2.1	12.0	7.0x5.0	Wireless Comms
TB0557A	135.53	0.026	5.3	7.0x5.0	Wireless Comms
TB0614A	138	70.9	24	7.0x5.0	Wireless Comms
TB0695A	138.24	76	24	7.0x5.0	Wireless Comms
TB0713A	138.24	76	25	7.0x5.0	Wireless Comms
TB0820A	138.24	77	26.0	7.0x5.0	Cellular Phones
TB0203A	140	10	11.5	13.7x6.5	140MHz Series
TB0233A	140	25	24.0	20.2x12.6	140MHz Series
TB0217A	140	0.1	6.0	7.0x5.0	140MHz Series
TB0218A	140	0.4	8	19.0x6.5	Wireless Comms
TB0320A	140	6	12.5	13.7x6.5	Wireless Comms
TB0438A	140	12	10.5	13.7x6.5	Wireless Comms
TB0439A	140	15	10.75	13.7x6.5	Wireless Comms
TB0440A	140	22	11.0	13.7x6.5	Wireless Comms
TB0541A	140	6.85	7.5	13.7x6.5	Wireless Comms
TB0559A	140	20	10.5	13.7x6.5	Wireless Comms
TB0746A	140	32	13.0	13.7x6.5	Wireless Comms
TB0810A	140	14	29.5	27x12.8	Remote control
TB0895A	140	51	32	22x12.6	140MHz Series
TB0800A	140	18.4	11.5	13.3x6.5	Base Station
TB0403A	145	4	16	13.7x6.5	Wireless Comms
TB0790A	145	0.05	3.5	13.7x6.5	Wireless Comms
TB1004A	150	50	18	5.2x5.2	Digital TV
TB1047A	150	80	23.5	7.0x5.0	Test Equipment
TB0992A	153.52	22	12	7.0x5.0	GPS
TB0993A	153.52	36	15.5	7.0x5.0	GPS
TB0772A	153.6	20	13.0	7.0x5.0	Wireless Comms
TB1054A	153.6	1.23	15.5	7.0x5.0	Test Equipment
TB1075A	153.6	1.23	14.0	7.0x5.0	Test Equipment
TB0415A	154.1	10	18.0	9.1x7.1	Wireless Comms
TB0608A	154.1	18	18	9.1x7.1	WLL
TB0399A	156.8	15	14	13.3x6.5	Wireless Comms
TB0647A	159	90	23	7.0x5.0	Wireless Comms
TB0811A	160	4	28.0	35x12.8	Wireless Comms
TB0276A	163	0.025	6.0	7.0x5.0	Wireless Comms
TB0482A	164.175	0.075	7.0	7.0x5.0	Wireless Comms
TB0547A	164.175	0.0075	7.0	F-11	Wireless Comms

Standard Models (continued)

Model Number	Centre Frequency (MHz)	Band width (MHz)	Ins Loss (dB)	Package	Application
TB0483A	165.45	0.075	7.0	7.0x5.0	Wireless Comms
TB0548A	165.45	0.0075	7.0	F-11	Wireless Comms
TB1014A	165.74	27	16.0	13.3x6.5	Base Station
TB1037A	165.74	27	16.0	7.0x5.0	Base Station
TB0755A	167.5	20	15.0	13.7x6.5	Wireless Comms
TB0727A	168	20	13.5	13.7x6.5	Wireless Comms
TB0891A	168	1	14.0	7.0x5.0	WLL
TB0260A	168.5	20	10	5.2x5.2	Wireless Comms
TB1006A	169.04	10.8	10.0	13.3x6.5	WiFi
TB0484A	169.2	0.075	7.0	7.0x5.0	Wireless Comms
TB0549A	169.2	0.0075	7.0	F-11	Wireless Comms
TB1064A	169.4375	0.0075	5	7.0x5.0	Metering
TB0485A	173.075	0.015	7.0	7.0x5.0	Wireless Comms
TB0550A	173.075	0.015	7.0	F-11	Wireless Comms
TB0223A	173.225	0.026	4.2	9.1x7.1	Wireless Comms
TB1013A	183	0.05	11.0	3.9x3.9	Base Station
TB0187A	183.6	1.5	10.5	7.0x5.0	Wireless Comms
TB0995A	184.32	5	8.0	3.9x3.9	Base Station
TB0572A	185.5	20	11.0	13.7x6.5	Wireless Comms
TB0103A	190	4.8	10	5.2x5.2	Cellular Phones
TB0190A	190	6	7	3.9x3.9	Cellular Phones
TB0293A	190	10	10	5.2x5.2	WCDMA
TB0529A	190	4.6	7.0	3.1x3.1	Wireless Comms
TB0909A	190	4	10.0	7.0x5.0	WLL
TB0416A	193.7	10	18.0	9.1x7.1	Wireless Comms
TB0609A	193.7	18	18.0	9.1x7.1	WLL
TB0410A	200	7.6	18.4	7.0x5.0	Wireless Comms
TB0592A	201.02	0.358	6.0	13.7x6.5	Wireless Comms
TB0124A	210.38	1.0	10.5	5.2x5.2	Cellular Phones
TB0104A	210.38	1.26	11.0	7.0x5.0	Wireless Comms
TB0241A	210.38	1.26	9	13.7x6.5	Cellular Phones
TB0939A	213.3	7	12.5	7.0x5.0	GPS
TB0573A	228.1	27	11.0	7.0x5.0	Wireless Comms
TB0270A	240	20	8.5	7.0x5.0	Wireless Comms
TB0309A	240	1	10	13.7x6.5	Wireless Comms
TB0341A	240	6.8	14	7.0x5.0	Wireless Comms
TB0429A	240	20	13.0	7.0x5.0	Wireless Comms
TB0376A	240	10.5	14.0	7.0x5.0	Wireless Comms
TB0391A	240	6.8	14	7.0x5.0	Wireless Comms
TB0208A	243	0.05	6.0	7.0x5.0	Wireless Comms
TB0253A	243.95	0.26	4.0	3.5x3.5	PHS
TB0252A	243.95	0.26	4.0	3.1x3.1	Cellular Phones
TB0266A	246	0.1	6.5	7.0x5.0	Cellular Phones
TB0251A	248.45	0.56	4.5	3.5x3.5	PHS
TB0649A	255	90	16	5.2x5.2	Wireless Comms
TB0758A	256	34	13.0	7.0x5.08	Wireless Comms

Continued on next page...

Ordering Information

Product name + model number
eg: **GSIF TB374GD**

- ♦ Pad configurations and package heights may vary from those shown - please ask for a full specification sheet before ordering
- ♦ Full specifications of all models are available on request

Standard Models (continued)

Model Number	Centre Frequency (MHz)	Band width (MHz)	Ins Loss (dB)	Package	Application
TB0788A	256.36	20	16	7.0x5.0	Wireless Comms
TB0475A	257.5	35	24	13.7x6.5	Wireless Comms
TB0358A	260	30	10	7.0x5.0	Wireless Comms
TB0204A	261.12	5	12	13.7x6.5	Wireless Comms
TB0900A	265.5	29	12.0	7.0x5.0	Cellular Phones
TB0377A	268.4	21	14.0	5.2x5.2	Wireless Comms
TB0969A	279.7	55	16.0	5.2x5.2	Base Station
TB0786A	279.88	7	15	7.0x5.0	Wireless Comms
TB280ID	280	18.50	10	5.2x5.2	WLAN
TB0137A	280	18.50	10	5.2x5.2	WLAN
TB0703A	280	15	11.0	5.2x5.2	Wireless Comms
TB0613A	283.5	0.05	6.5	7.0x5.0	Wireless Comms
TB0587A	288	5	17.0	5.2x5.2	Wireless Comms
TB0588A	288	10	15	5.2x5.2	Wireless Comms
TB0589A	288	20	15	5.2x5.2	Wireless Comms
TB0991A	294.2	20.5	20.0	7.0x5.0	GPS
TB0296A	300	4.5	10	3.1x3.1	Wireless Comms
TB0633A	300	0.1	7.0	7.0x5.0	Wireless Comms
TB0677A	300	0.2	6.5	5.2x5.2	Wireless Comms
TB1046A	304	4	15.5	13.3x6.5	Military
TB1031A	307.2	41	13.0	7.0x5.0	Wireless Comms
TB1052A	307.2	62	18.5	7.0x5.0	Wireless Comms
TB0789A	307.36	20	16	7.0x5.0	Wireless Comms
TB0468A	310	10	14	5.2x5.2	Wireless Comms
TB0901A	324	30	13.5	7.0x5.0	Cellular Phones
TB0398A	325	13	14	7.0x5.0	Wireless Comms
TB0560A	325	9	14	7.0x5.0	Wireless Comms
TB0457A	325	6.9	20	7.0x5.0	Wireless Comms
TB0191A	326.4	12	17	7.0x5.0	Wireless Comms
TB0626A	329.5	15	17.0	7.0x5.0	Wireless Comms
TB0787A	333.04	7	15	7.0x5.0	Wireless Comms
TB0970A	340.5	55	14.0	5.2x5.2	Base Station
TB0892A	343	1	12	7.0x5.0	WLL
TB0621A	343.5	4.6	14.0	7.0x5.0	Wireless Comms
TB0671A	345	5	12.5	7.0x5.0	Wireless Comms
TB0200A	350	2.6	14.5	13.7x6.5	WLL
TB0297A	350	4.5	10	3.1x3.1	Wireless Comms
TB0610A	350	71	13.0	5.2x5.2	Wireless Comms
TB0672A	350	5	12.5	7.0x5.0	Wireless Comms
TB0674A	350	14	12.0	7.0x5.0	Wireless Comms
TB0706A	350	31	18	5.2x5.2	Wireless Comms
TB0648A	351	90	16.5	5.2x5.2	Wireless Comms
TB0591A	351.1	12	14.0	5.2x5.2	Wireless Comms
TB0673A	355	5	12.5	7.0x5.0	Wireless Comms
TB0656A	359.2	24	13.0	7.0x5.0	Wireless Comms
TB360EC	360	0.135	5.0	3.9x3.9	Cellular Phones
TB0130A	360	0.24	5.0	5.2x5.2	Cellular Phones
TB0655A	360	24	13.0	7.0x5.0	Wireless Comms
TB0489A	366.5	23	13.5	5.2x5.2	Wireless Comms
TB0525A	369	10.5	12.0	5.0x5.0	Wireless Comms
TB0152A	374	17	10	3.9x3.9	WLAN
TB374EA	374	17	10	7.0x5.0	WLAN
TB374GD	374	17	10	5.2x5.2	WLAN
TB0135A	374	17	10	5.2x5.2	WLAN
TB0151A	374	14	9	7.0x5.0	WLAN

Standard Models (continued)

Model Number	Centre Frequency (MHz)	Band width (MHz)	Ins Loss (dB)	Package	Application
TB0210A	374	23.4	10	3.9x3.9	Wireless Comms
TB0221A	374	19.1	10	3.9x3.9	WLAN
TB0316A	374	5	12	3.9x3.9	Wireless Comms
TB0501A	374	10.5	11.5	5.0x5.0	Wireless Comms
TB0530A	374	10.5	12.5	5.0x5.0	Wireless Comms
TB0378A	376.6	75	16	5.2x5.2	Wireless Comms
TB0122A	380	4.8	11	3.9x3.9	Cellular Phones
TB0198A	380	5	16	7.0x5.0	Cellular Phones
TB0445A	380	5	13.0	7.0x5.0	Wireless Comms
TB0299A	400	4.5	10	3.1x3.1	Wireless Comms
TB0448A	400	0.15	7.5	5.2x5.2	Wireless Comms
TB0464A	400	0.15	7.5	3.9x3.9	Wireless Comms
TB0564A	400	0.15	7.5	3.1x3.1	Cellular Phones
TB0910A	400	40	15.5	3.9x3.9	WLL
TB0237A	402.7	21.5	19	5.2x5.2	Wireless Comms
TB0261A	403.5	3	5.5	3.9x3.9	Wireless Comms
TB0801A	420	19.6	13.0	5.2x5.2	Wireless Comms
TB0784A	425	0.5	9.5	7.0x5.0	Wireless Comms
TB0141A	426.5	0.24	5.5	F-11	Remote control
TB0657A	427.5	15	13.0	5.2x5.2	Wireless Comms
TB433E2	433.92	0.5	5.0	TO-39	Remote control
TB433ED	433.92	0.5	5.0	5.2x5.2	Remote control
TB0902A	435	70	16.0	5.2x5.2	WLL
TB0490A	435.5	27	13.5	5.2x5.2	Wireless Comms
TB0658A	442.5	15	13.0	5.2x5.2	Wireless Comms
TB0650A	447	90	17.0	5.2x5.2	Wireless Comms
TB0205A	453	5.5	7	3.9x3.9	WLL
TB0267A	455	5	2.8	3.1x3.1	Cellular Phones
TB0427A	456	7.8	9	5.2x5.2	Wireless Comms
TB0462A	456	5	13.0	5.2x5.2	Wireless Comms
TB0463A	456	9	9	7.0x5.0	Wireless Comms
TB0471A	456	6.2	15.5	7.0x5.0	Wireless Comms
TB0574A	456	6.4	13.5	7.0x5.0	Wireless Comms
TB0492A	456	10.4	11.0	7.0x5.0	Wireless Comms
TB0360A	464	3.5	13	7.0x5.0	Wireless Comms
TB0472A	464	3.4	13.0	7.0x5.0	Wireless Comms
TB0575A	464	3.4	13.5	7.0x5.0	Wireless Comms
TB0459A	464	5.52	18.0	7.0x5.0	Wireless Comms
TB0206A	465	20	14	5.2x5.2	Remote control
TB0576A	472.2	27	13.5	7.0x5.0	Wireless Comms
TB0160A	473.4	28	13	7.0x5.0	WLL
TB480F3	479.5	17	23	TO-39	Satellite TV
TB480G3	479.5	15	24	TO-39	Satellite TV
TB0153A	479.5	15	24	TO-39	Satellite TV
TB480E3	480	26.9	21.5	TO-39	Satellite TV
TB0222A	480	3.9	10.3	TO-39	Satellite TV

Continued on next page...

Ordering Information

Product name + model number
eg: **GSIF TB0657A**

- ♦ Pad configurations and package heights may vary from those shown - please ask for a full specification sheet before ordering
- ♦ Full specifications of all models are available on request

Standard Models (continued)

Model Number	Centre Frequency (MHz)	Band width (MHz)	Ins Loss (dB)	Package	Application
TB0400A	480	12.1	22	7.0x5.0	Wireless Comms
TB0590A	480	36	19.5	5.2x5.2	Wireless Comms
TB0561A	480	9	14	7.0x5.0	Wireless Comms
TB0606A	480	40	18	5.2x5.2	Wireless Comms
TB0714A	480	15	17.0	5.2x5.2	Wireless Comms
TB0729A	480	54	15	5.2x5.2	Wireless Comms
TB0715A	490	15	15.0	5.2x5.2	Wireless Comms
TB0716A	490	15	13.0	TO-39	Wireless Comms
TB0420A	494	77	13	5.2x5.2	Wireless Comms
TB0707A	495	30	18	5.2x5.2	Wireless Comms
TB0577A	512.2	27	13.5	7.0x5.0	Wireless Comms
TB0651A	525	54	16.5	5.2x5.2	Wireless Comms
TB0264A	533.33	4.5	9	3.9x3.9	Wireless Comms
TB0749A	545	30	14.0	5.2x5.2	Wireless Comms
TB0759A	575	30	14.0	5.2x5.2	Wireless Comms
TB0288A	590	0.39	12.0	13.7x6.5	Wireless Comms
TB0353A	600	4.5	10	3.1x3.1	Wireless Comms
TB0300A	644.5	4.5	10	3.1x3.1	Wireless Comms
TB0354A	666.667	4.5	10	3.1x3.1	Wireless Comms
TB1029A	745	66	15.5	5.2x5.2	Base Station
TB0903A	751.5	65	15.0	5.2x5.2	WLL
TB0984A	753.5	78	15.0	5.2x5.2	Base Station
TB1023A	827.4	4.5	22.0	13.3x6.5	Repeater
TB1022A	827.4	4.5	14.0	13.3x6.5	Repeater
TB1008A	828	14	26.0	13.3x6.5	Repeater
TB0804A	829.5	14.6	26	13.7x6.5	Wireless Comms
TB0880A	830	10.7	25.8	13.7x6.55	Cellular Phones
TB1007A	851.24	66	15.0	5.0x5.0	Repeater
TB0904A	857	66	15.0	5.2x5.2	WLL
TB1024A	872.4	4.5	22.0	13.3x6.5	Repeater
TB1009A	873	14	25.5	13.3x6.5	Repeater
TB0805A	874	15.1	26.5	13.7x6.5	Wireless Comms
TB0883A	875	10	25.5	13.7x6.55	Cellular Phones
TB0840A	897	24	30	7.0x5.0	Cellular Phones
TB0841A	942	24	30.0	7.0x5.0	Cellular Phones
TB0661A	950	150	17.0	3.9x3.9	Repeater
TB1030A	974.3	76	16.5	5.2x5.2	Base Station

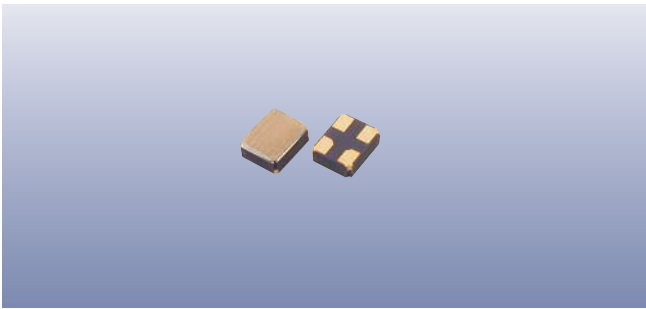
Ordering Information

Product name + model number

eg: **GSIF TB1022A**

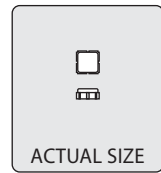
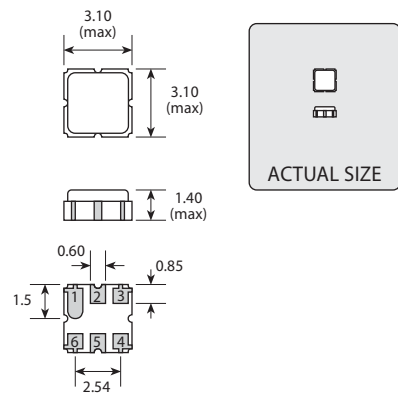
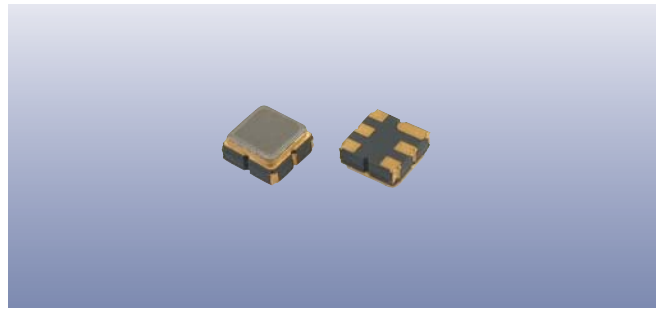
- ◆ Pad configurations and package heights may vary from those shown
- please ask for a full specification sheet before ordering
- ◆ Full specifications of all models are available on request

2.5 x 2.0



DRAWING UNDER DEVELOPMENT

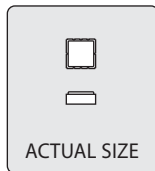
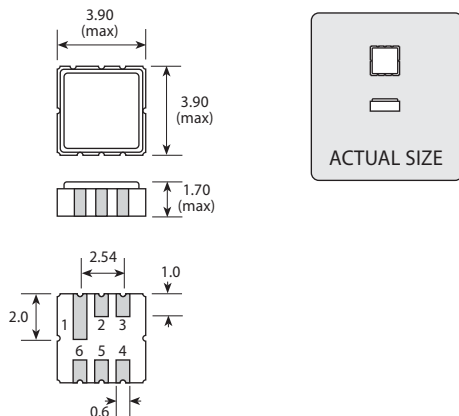
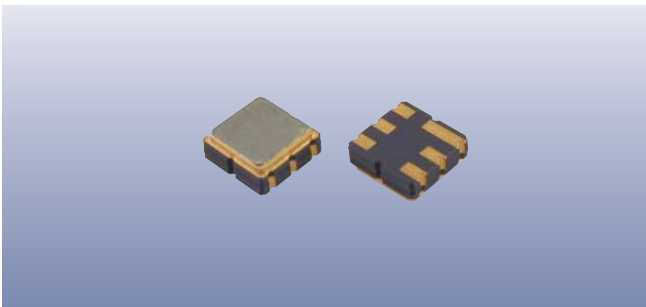
3.1 x 3.1



Scale 3:1

Pad connections may vary by model. Check the full specification sheet before ordering

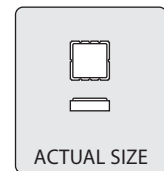
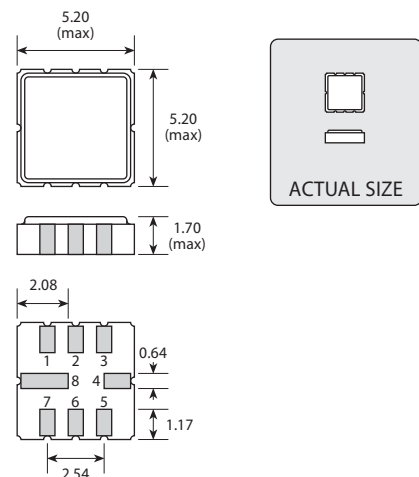
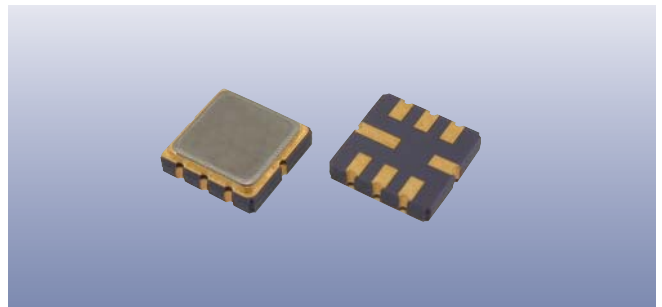
3.9 x 3.9



Scale 3:1

Pad connections may vary by model. Check the full specification sheet before ordering

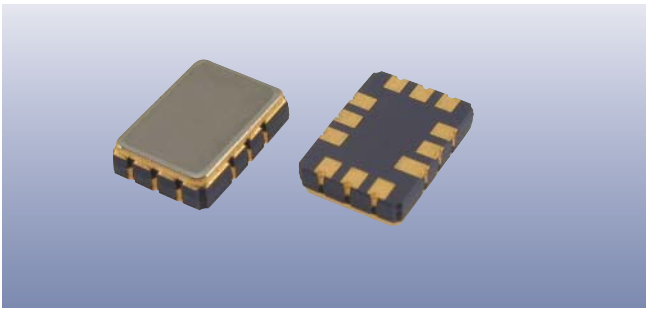
5.2 x 5.2



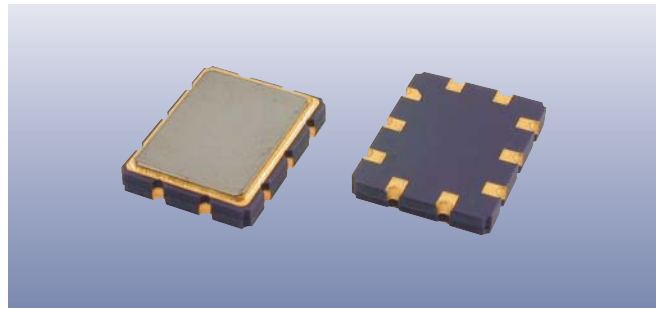
Scale 3:1

Pad connections may vary by model. Check the full specification sheet before ordering

7.0 x 5.0



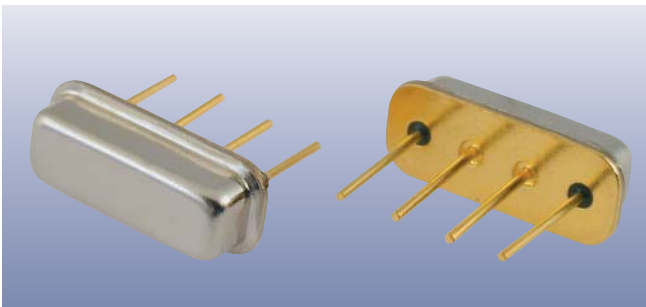
9.1 x 7.1



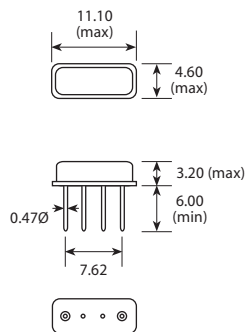
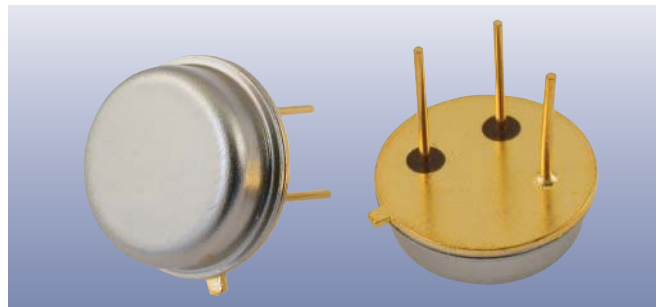
DRAWING UNDER DEVELOPMENT

DRAWING UNDER DEVELOPMENT

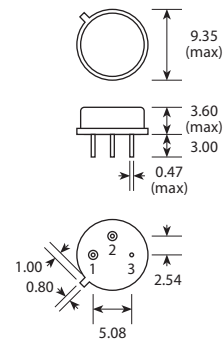
F-11



TO-39



Scale 1:1



Scale 1:1