



常州声易尚电子有限公司
CHANGZHOU E-SOUND ELECTRONICS CO.,LTD.

SPECIFICATION

SHEET FOR APPROVAL

CUSTOMER:

PRODUCTS:

MODEL NUMBER: DXYD87W-60F-8A

CUSTOMER PART NUMBER:

CONCISE DESCRIPTION:

“DXYD87W-60F-8A D87 H 30 8 Ω”

	PREPARED	CHECKED	APPROVED
SIGNATURE			
DATE	<i>2019-1-29</i>	<i>2019-1-29</i>	<i>2019-1-29</i>

CUSTOMER CONFIRMATION

SIGNATURE: _____

DATE: _____

CHANGZHOU E-SOUND ELECTRONICS CO.,LTD.

TEL:0086-519-83993358
<http://www.duoxin.com>

FAX:0086-519-83993358
E-mail:info@duoxin.com



SPECIFICATION		MODEL NO.	DXYD87W-60F-8A	P1/5
ISSUED DATE		UPDATE	00	
REVERSION				

1. SCOPE

This specification covers our product of dynamic speaker unit is for cordless phone use. .

2. MECHANICAL LAYOUT & DIMENSIONS

Shown in Fig.4

3. GENERAL REQUIREMENTS

3.1 OPERATING TEMPERATURE RANGE: -20°C ~ +65°C

3.2 STANDARD TEST CONDITIONS:

Temperature: 17~25°C
 Relative Humidity: 45%~80%(RH)
 Air Pressure: 860~1060 hPa

3.3 JUDGEMENT CONDITIONS:

Temperature: 20±2°C
 Relative Humidity: 60%~70%(RH)
 Air Pressure: 860~1060 hPa

4. ELECTROACOUSTIC CHARACTERISTIC

4.1 SOUND PRESSURE LEVEL

90±3dB SPL (Average at 800Hz,1000Hz,1200Hz,1500Hz)

Measuring condition: 0.1W (Sine wave) 0.1m measured with baffler shown in Fig.1.

4.2 IMPEDANCE: 8±15%Ω (@2KHz 1V) without baffler.

4.3 MEASURING DIAGRAM: Shown in Fig.1.

4.4 TYPICAL FREQUENCY RESPONSE CURVE: Shown in Fig.2.

4.5 RATED POWER: 7.0W (White Noise for 48hours) .

MAX POWER: 15.0W.

4.6 RESONANCE FREQUENCY (F₀): 400±20%Hz @ 1V.

4.7 SOUND POWER: 7.0W (F₀~10KHz) must be normal with sine wave (7.48Vrms).

NO	DATE	DUE TO	NEW STATUS		SIGNATURE
			REVISION	UPDATE	
1					
2					
3					
4					

CHANGZHOU E-SOUND ELECTRONICS CO.,LTD.

TEL:0086-519-83993358

FAX:0086-519-83993358

<http://www.duoxin.com>

E-mail:info@duoxin.com

SPECIFICATION		MODEL NO.	DXYD87W-60F-8A	P2/5
ISSUED DATE		UPDATE	00	
REVERSION				

■ **FREQUENCY MEASURING CIRCUIT (SPEAKER MODE) (Fig.1)**

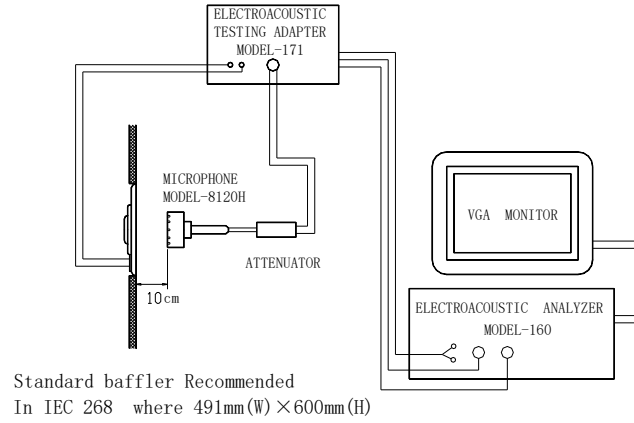


Fig.1 Illustration of measuring diagram (speaker mode)

■ **TYPICAL FREQUENCY RESPONSE CURVE (SPEAKER MODE) (Fig.2)**

Fig.2 Typical frequency response curve (speaker mode)

NO	DATE	DUE TO	NEW STATUS		SIGNATURE
			REVISION	UPDATE	
1					
2					
3					
4					



常州声易尚电子有限公司

CHANGZHOU E-SOUND ELECTRONICS CO.,LTD.

SPECIFICATION		MODEL NO.	DXYD87W-60F-8A		P3/5
ISSUED DATE		UPDATE	00		
REVERSION		UPDATE	00		
<p>6. RELIABILITY TESTS</p> <p>The sound pressure as specified shall neither deviate more than $\pm 3\text{dB}$ from the initial value, nor any significant damage after any of following testing.</p>					
<p>6.1 HIGH TEMPERATURE TEST</p> <p>High temperature: $+70\pm 3^{\circ}\text{C}$ Duration: 96 hours</p>					
<p>6.2 LOW TEMPERATURE TEST</p> <p>Low temperature : $-30\pm 3^{\circ}\text{C}$ Duration: 96 hours</p>					
<p>6.3 HUMIDITY TEST</p> <p>Temperature: $+40\pm 2^{\circ}\text{C}$ Relative humidity: 90~95% Duration: 96 hours</p>					
<p>6.4 TEMPERATURE CYCLE TEST (See in Fig.3)</p> <p>Temperature: -30°C \longleftrightarrow $+70^{\circ}\text{C}$ Duration: 1hr 0.5hr 1hr Temperature gradient: $1\sim 3^{\circ}\text{C}/\text{min.}$ Cycle: 6</p>					
<p>6.5 DROP TEST</p> <p>Mounted with dummy set mass: 100 g Height: 75cm Cycle: 3times(corner, side, plane) onto the concrete board</p>					
<p>6.6 LOAD TEST</p> <p>Speaker mode: White noise (EIA filter) for 48 hours @7.0W(7.48Vrms) input power.</p>					
NO	DATE	DUE TO	NEW STATUS		SIGNATURE
			REVISION	UPDATE	
1					
2					
3					
4					

CHANGZHOU E-SOUND ELECTRONICS CO.,LTD.

TEL:0086-519-83993358

FAX:0086-519-83993358

<http://www.duoxin.com>

E-mail:info@duoxin.com



SPECIFICATION		MODEL NO.	DXYD87W-60F-8A	P4/5
ISSUED DATE		UPDATE	00	
REVERSION				

TEMP. CYCLE TEST (Fig.3)

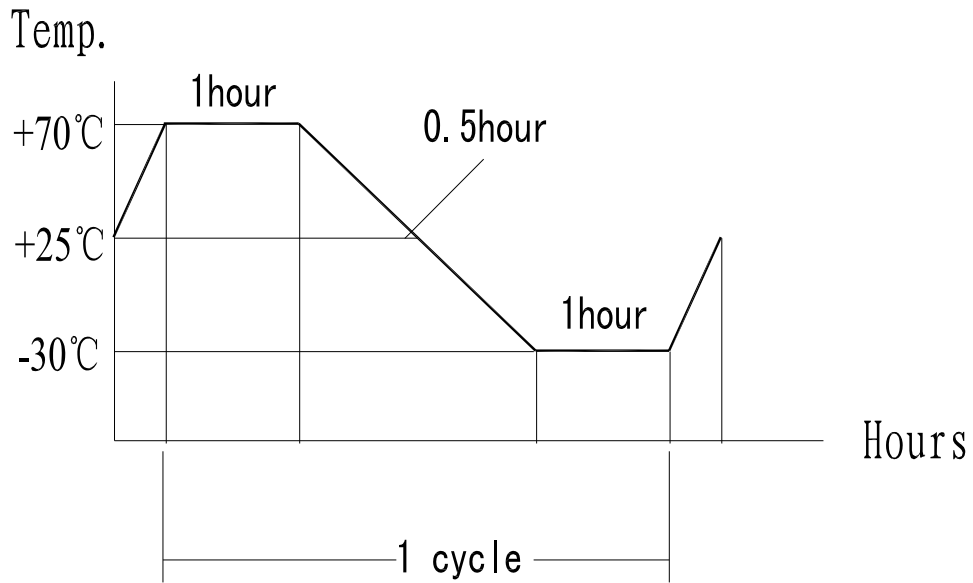


Fig.3 Illustration of temp. cycle test

NO	DATE	DUE TO	NEW STATUS		SIGNATURE
			REVISION	UPDATE	
1					
2					
3					
4					



SPECIFICATION		MODEL NO.	DXYD87W-60F-8A	P5/5
ISSUED DATE		UPDATE	00	
REVERSION				

6. DIMENSIONS (Fig.4)

Unless otherwise specified, tolerance: ± 0.2 (unit: mm)

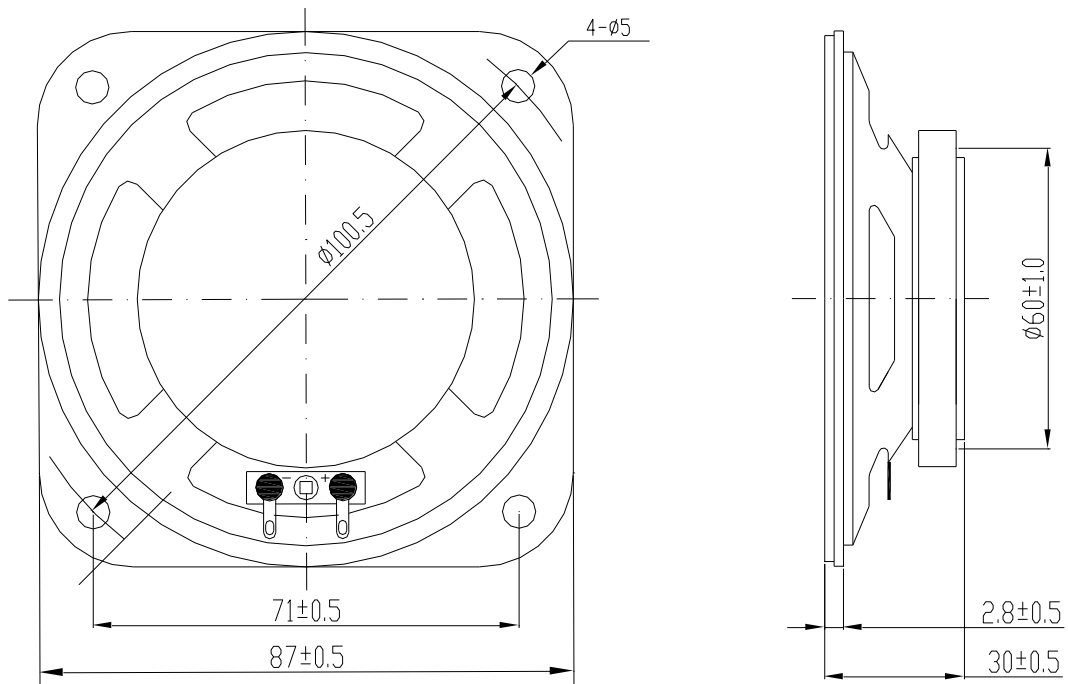


Fig.4 Outer dimension

NO	DATE	DUE TO	NEW STATUS		SIGNATURE
			REVISION	UPDATE	
1					
2					
3					
4					

CHANGZHOU E-SOUND ELECTRONICS CO.,LTD.

TEL:0086-519-83993358

FAX:0086-519-83993358

<http://www.duoxin.com>

E-mail:info@duoxin.com