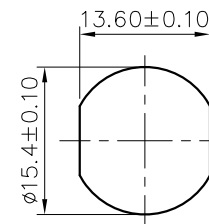
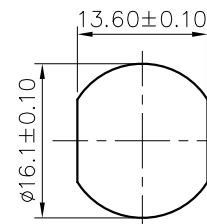
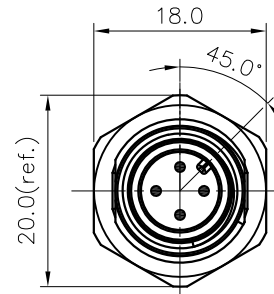


REVISION RECORD

REV	ECN	DESCRIPTION	DRFT	DATE
-----	-----	-------------	------	------

Thread specification:
M16*1.5

Thread specification:
PG9



Panel Mounted

Panel Mounted

SS-M12X-XXP-MM-SF8XXX-00A(H)

Coding: A,B,D

Pin number: 03,04,
05,06,08,
10,12

Thread specification:
A: PG9;
B: M16*1.5

XX: 150~1500mm
15: 150±15mm
30: 300±20mm
50: 500±20mm
A0: 1000±40mm
A5: 1500±40mm
Wire Length L: 150~1500mm

NOTES:

- Rated voltage/current : 3pin A: 250V / 4A
4pin A: 250V / 4A
5pin A: 60V / 4A
6pin A: 30V / 2A
8pin A: 30V / 2A

2. Withstanding voltage : AC1060V/1Min

3. Levels of protection: IP68

4. Cable specifications :

3pin A: 22AWG/0.34mm²,UL1061

4pin A: 22AWG/0.34mm²,UL1061

5pin A: 22AWG/0.34mm²,UL1061

6pin A: 24AWG/0.25mm²,UL1061

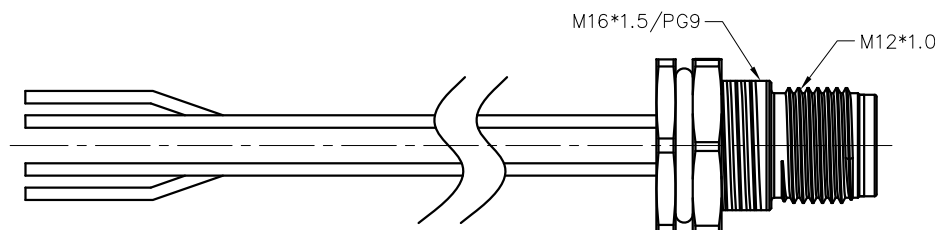
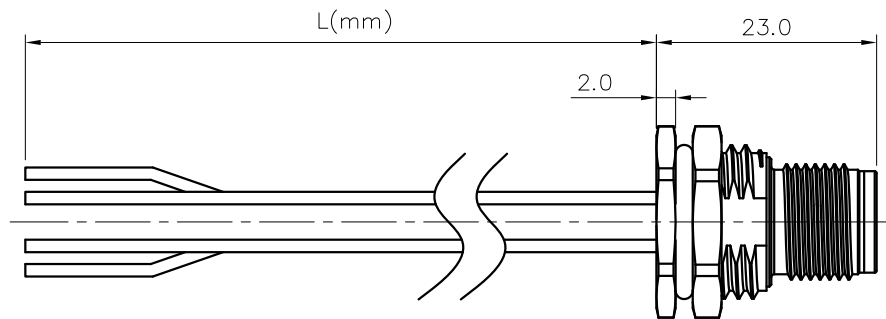
8pin A: 24AWG/0.25mm²,UL1061

5. Wire connection mode: soldering

6. Operating temperature: -40°C~+85°C

7. For Panel Thickness Max: 4.5mm

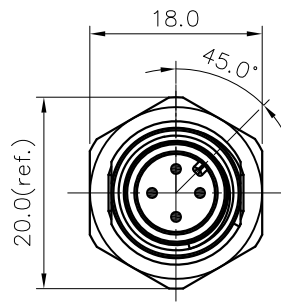
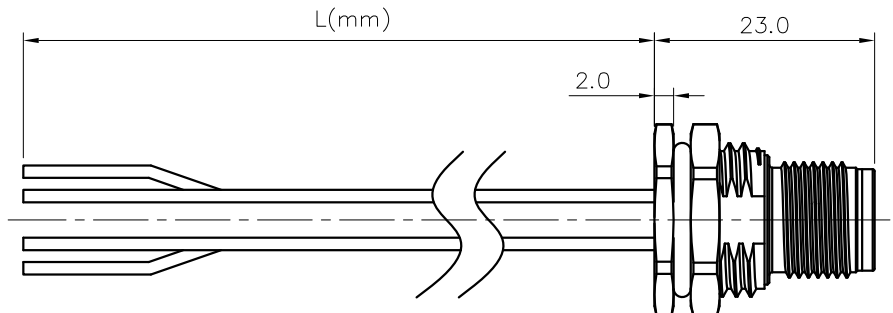
8. RoHS Compliance



3pin A Coding	4pin A Coding	5pin A Coding	6pin A Coding	8pin A Coding
Pin Assignments Front View	Pin Assignments Front View	Pin Assignments Front View	Pin Assignments Front View	Pin Assignments Front View
				8 Red
				7 Blue
				6 Pink
				5 Grey
4 Black	4 Black	4 Black	4 Yellow	4 Yellow
3 Blue	3 Blue	3 Blue	3 Green	3 Green
1 Brown	1 White	2 White	2 Brown	2 Brown
1 Brown	1 Brown	1 Brown	1 White	1 White
Pin Wire Color	Pin Wire Color	Pin Wire Color	Pin Wire Color	Pin Wire Color
Pin Out	Pin Out	Pin Out	Pin Out	Pin Out

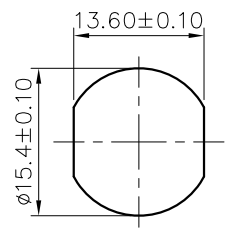
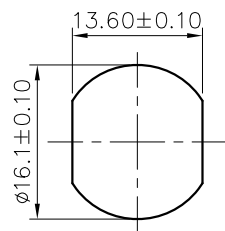
DETACHED LISTS	PART NO.: SSM12XXXPMMSF8XXX00AH		宁波高松电子有限公司 NINGBO DEGSON ELECTRICAL CO., LTD	
	APPD:	NAME: SS-M12X-XXP-MM-SF8XXX-00A(H)		
	CHKD:	DRFT: LZ 2018.10.08		
	TITLE: CUSTOMER DRAWING		REV: D0-1	A
DRAWING NO.: XXXXXXXX-XX-CXX		SHEET: 1/2		
THIRD ANGLE PROJECTION		DO NOT SCALE DRAWING	SCALE: 1:1	

REVISION RECORD				
REV	ECN	DESCRIPTION	DRFT	DATE



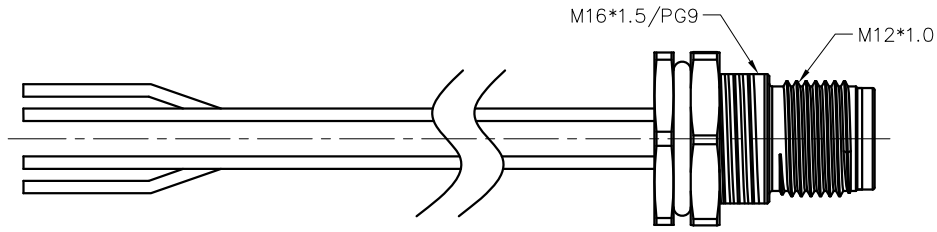
Thread specification: M16*1.5

Thread specification: PG9



Panel Mounted

Panel Mounted



SS-M12X-XXP-MM-SF8XXX-00A(H)

Coding: A,B,D

Pin number: 03,04,
05,06,08,
10,12

XX: 150~1500mm
15: 150±15mm
30: 300±20mm
50: 500±20mm
A0: 1000±40mm
A5: 1500±40mm
Wire Length L: 150~1500mm

Thread specification:
A: PG9;
B: M16*1.5

NOTES:

- Rated voltage/current : 10pin A: 30V / 1.5A
12pin A: 30V / 1.5A
5pin B: 60V / 4A
4pin D: 250V / 4A
- Withstanding voltage : AC1060V/1Min
- Levels of protection: IP68
- Wire specifications :
10pin A: 26AWG/0.14mm²,UL1061
12pin A: 26AWG/0.14mm²,UL1061
5pin B: 22AWG/0.34mm²,UL1061
4pin D: 22AWG/0.34mm²,UL1061
- Wire connection mode: soldering
- Operating temperature: -40°C~+85°C
- For Panel Thickness Max: 4.5mm
- RoHS Compliance

10pin A Coding	12pin A Coding	5pin B Coding	4pin D Coding
Pin Assignments Front View	Pin Assignments Front View	Pin Assignments Front View	Pin Assignments Front View
	12 Red/Blue		
	11 Grey/Pink		
10 Violet	10 Violet		
9 Red	9 Red		
8 Grey	8 Grey		
7 Black	7 Black		
6 Yellow	6 Yellow		
5 Pink	5 Pink	5 Grey	
4 Green	4 Green	4 Black	4 Black
3 White	3 White	3 Blue	3 Blue
2 Blue	2 Blue	2 White	2 White
1 Brown	1 Brown	1 Brown	1 Brown
Pin Wire Color	Pin Wire Color	Pin Wire Color	Pin Wire Color
Pin Out	Pin Out	Pin Out	Pin Out

DETACHED LISTS	PART NO.: SSM12XXXPMMSF8XXX00AH	宁波高松电子有限公司 NINGBO DEGSON ELECTRICAL CO., LTD		
	APPD:	NAME: SS-M12X-XXP-MM-SF8XXX-00A(H)		
	CHKD:			
	DRFT: LZ 2018.10.08	TITLE: CUSTOMER DRAWING	REV: D0-1	A
			DRAWING NO.: XXXXXXXX-XX-CXX	SHEET: 2/2
		MM (INCH)	DO NOT SCALE DRAWING	
		SCALE: 1:1		