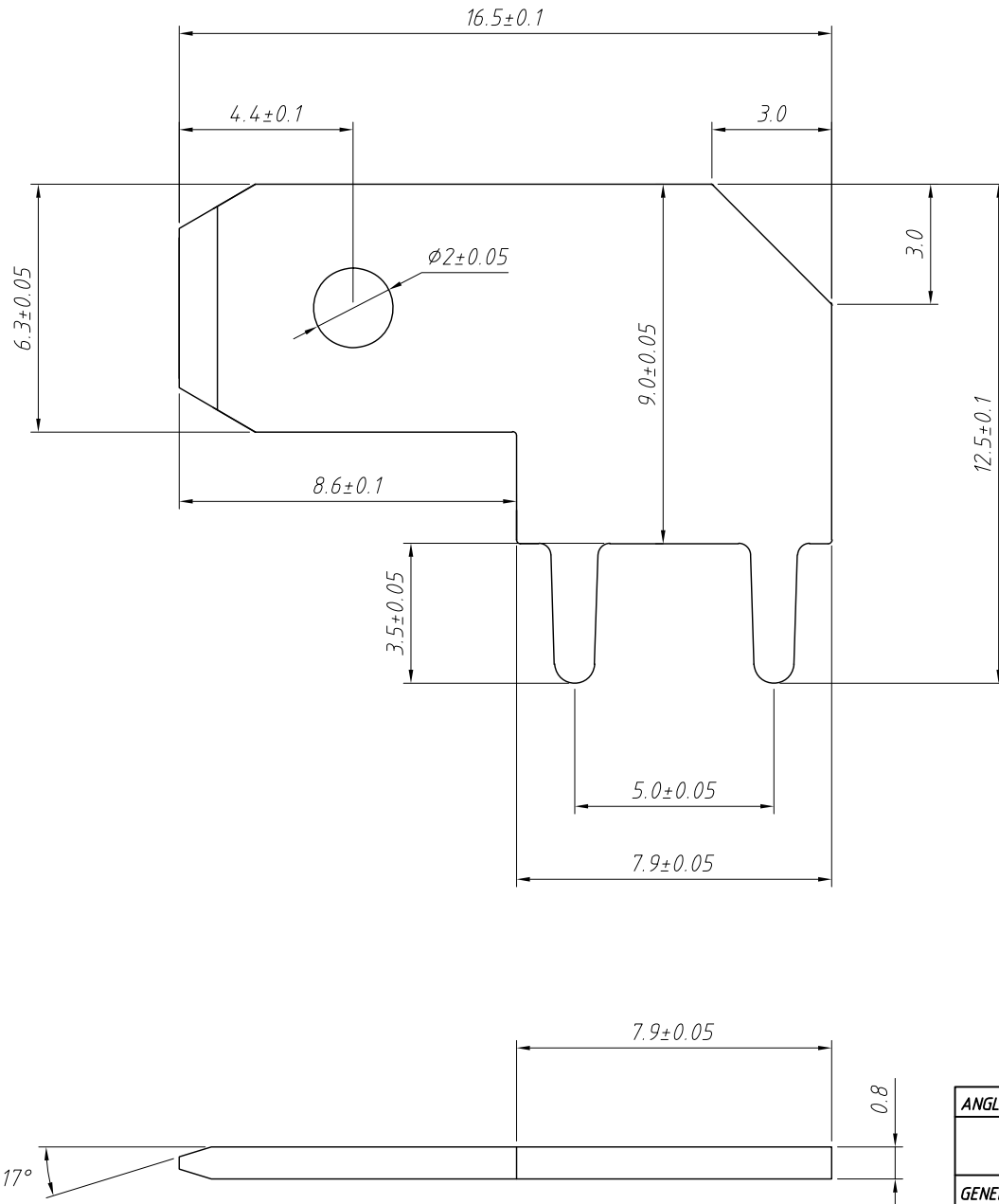


1 RoHS Compliance



Terminal Material: Brass, Natural colour

Technical requirements:

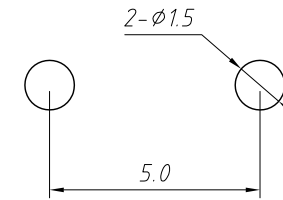
The mark shall be correct and clear, and the terminal shall be free of fracture, burr, deformation and scratch;

The surface coating should be uniform, bright, free of mould spots, blackening, peeling and other defects.

Undeclared R angle: 0.5mm,

Undeclared C angle: 0.5×45°

Undeclared tolerance: ±0.01mm



Mounting holes

Order Information:

L-KLS8-01130-PCF-250

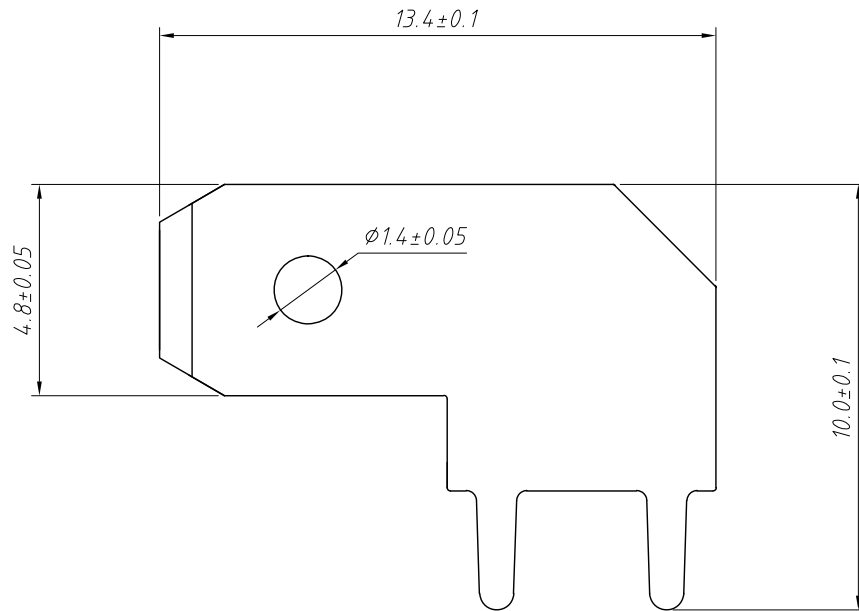
L: RoHS

Terminal Series

Model No.

ANGLE TOLERANCE	PROJECTION	Description:	
±3°		1.27x1.27mm Pitch Box Header Connector	
GENERAL TOLERANCE	UNITS	mm	KLS P/N: L-KLS8-01130-PCF-250
x.x ±0.30	SHEET SIZE	A4	NingBo KLS ELECTRONIC CO.,L TD.
x.xx ±0.20	Draw:	Daniel 2020-11-11	
x.xxx ±0.10	Check:	Daniel 2020-11-11	

1  
RoHS Compliance



Terminal Material: Brass, Natural colour

Technical requirements:

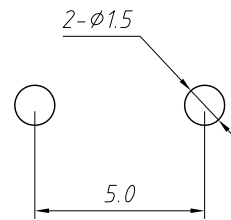
The mark shall be correct and clear, and the terminal shall be free of fracture, burr, deformation and scratch;

The surface coating should be uniform, bright, free of mould spots, blackening, peeling and other defects.

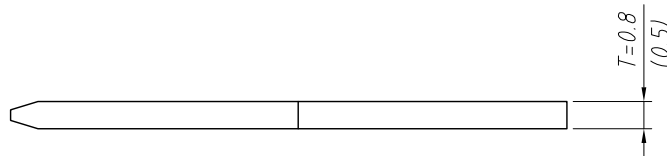
Undeclared R angle: 0.5mm,

Undeclared C angle: 0.5×45°

Undeclared tolerance: ±0.01mm

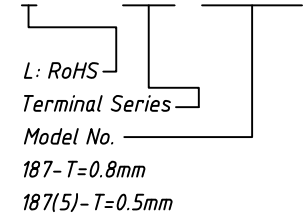


Mounting holes



Order Information:

L-KLS8-01130-PCF-187



L: RoHS

Terminal Series

Model No.

187-T=0.8mm

187(5)-T=0.5mm

ANGLE TOLERANCE	PROJECTION		Description:	
±3°			1.27x1.27mm Pitch Box Header Connector	
GENERAL TOLERANCE	UNITS	mm	KLS P/N:	L-KLS8-01130-PCF-187
x.x ±0.30	SHEET SIZE	A4		
x.xx ±0.20	Draw:	Daniel	2020-11-11	NingBo KLS ELECTRONIC CO.,L TD.
x.xxx ±0.10	Check:	Daniel	2020-11-11	