

LED Indicator Light

KLS9-IL-M8-02A LED Indicator Light

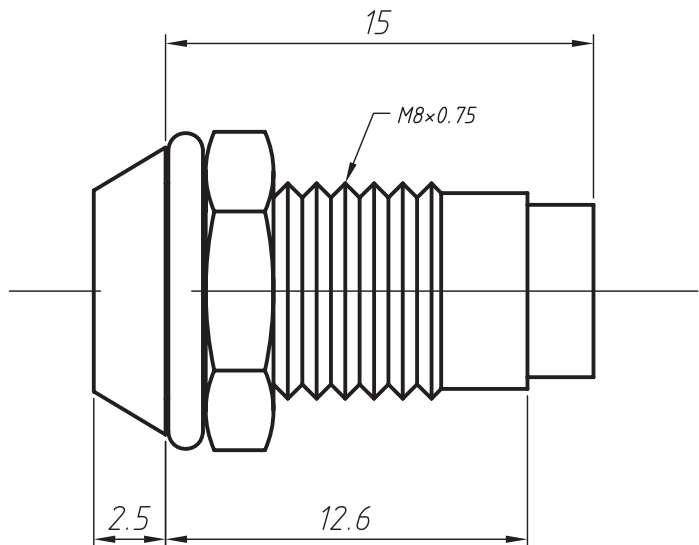
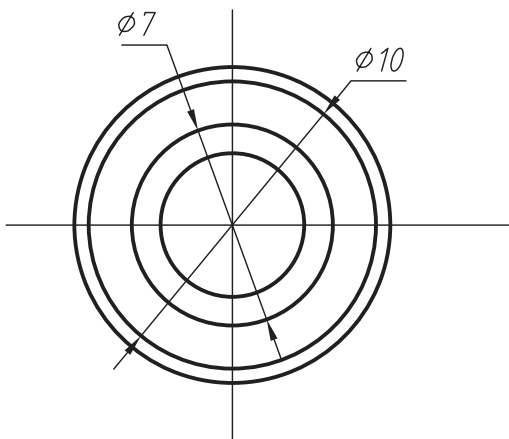
IX

SPECIFICATION:

LED Indicator Light
LED INDICATOR LIGHT Φ 10mm
W O Resistor 2V DC
Mounting Hole: Φ 8mm

Material:

Insulator:ABS
Housing:chrome plated brass



ORDER INFORMATION

Product NO.: KLS9-IL-M8-02A-WD



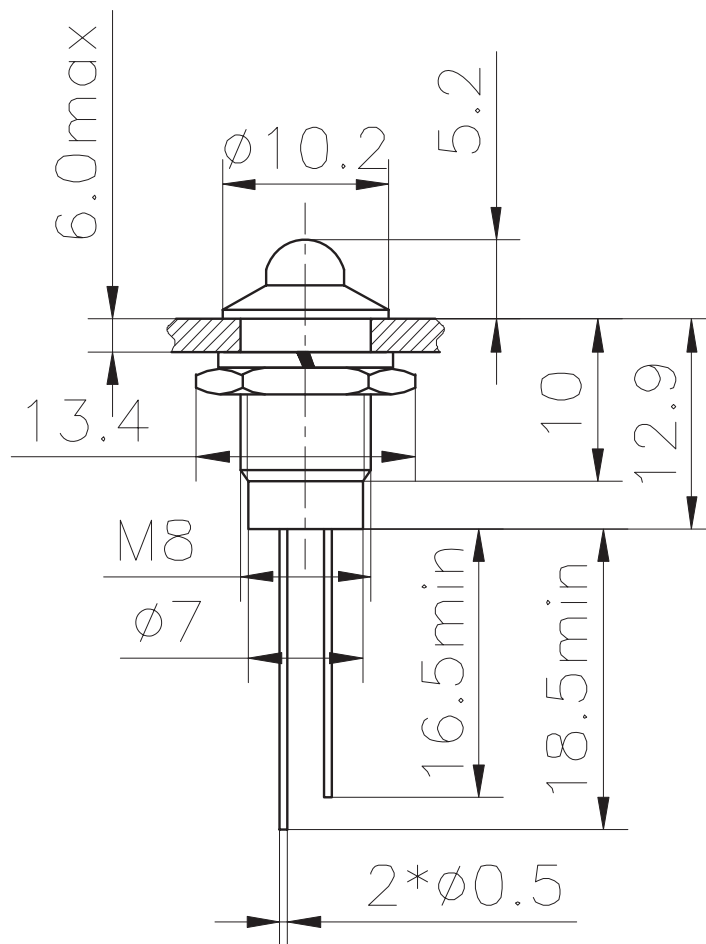
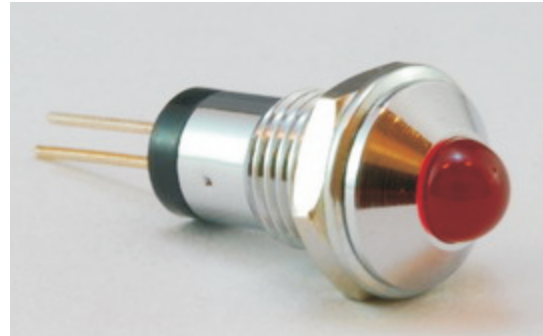
LED Indicator Light

KLS9-IL-M8-02A LED Indicator Light

IX

SPECIFICATION:

LED Indicator Light
W O Resistor 2V DC
Mounting Hole: Φ 8mm
LED INDICATOR LIGHT Φ 10mm



ORDER INFORMATION

Product NO.: KLS9-IL-M8-02A-R

