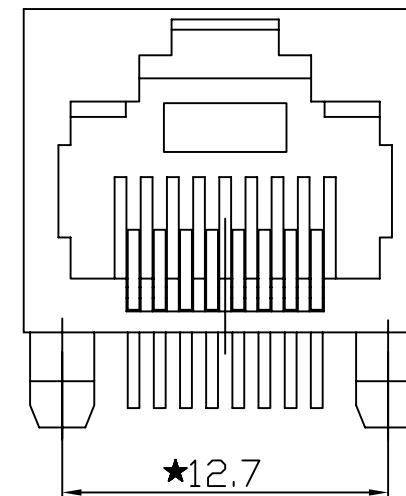
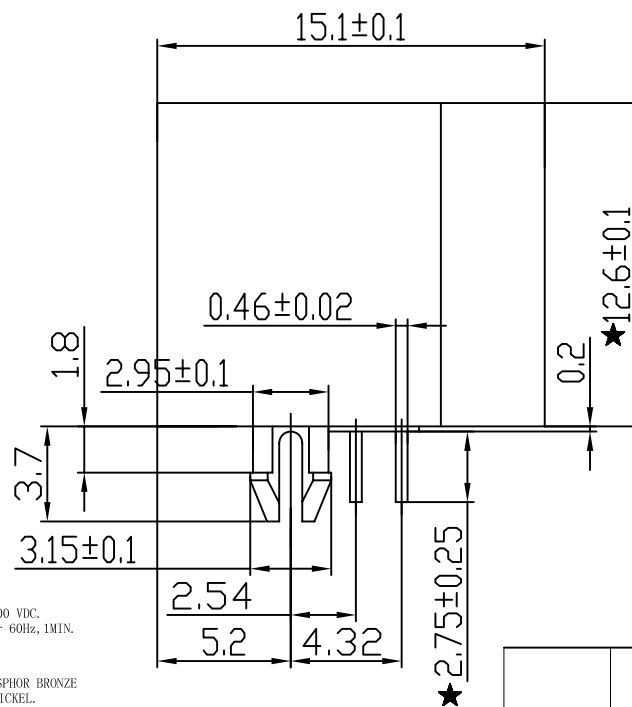
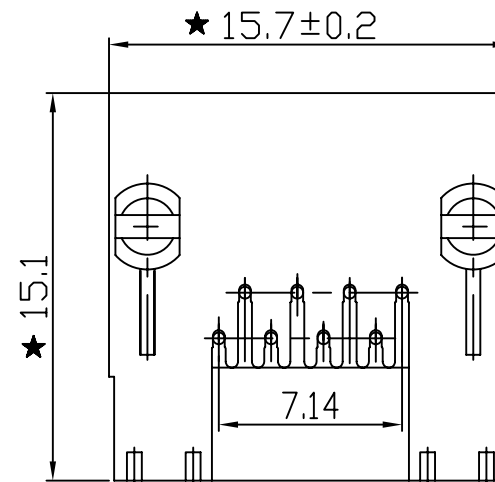
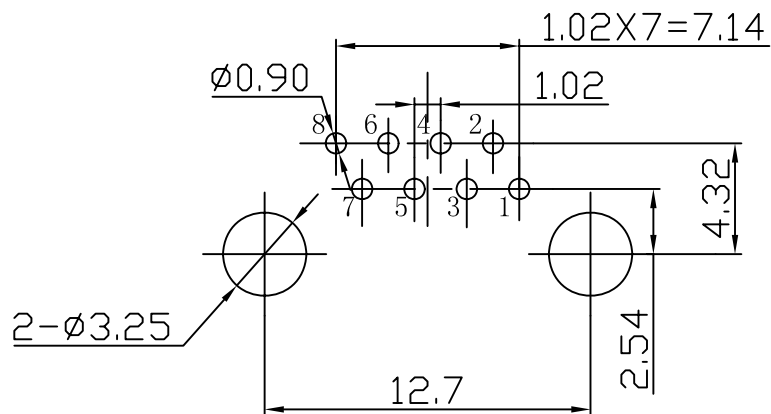


REVISION RECORD		
REV	DESCRIPTION	DATE
A/0		2007/08/10
A/1	Update edition	2009/12/19



NOTES:

ELECTRICAL:

- VOLTAGE RATING : 125 VAC RMS.
- CURRENT RATING : 1.5 AMP.
- CONTACT RESISTANCE : 30 MILLIOHMS MAX.
- INSULATION RESISTANCE : 500 MEGOHMS MIN @ 500 VDC.
- DIELECTRIC STRENGTH : 1000 VAC RMS 50Hz or 60Hz, 1MIN.

MECHANICAL:

- HOUSING & INSERT MATERIAL : PBT UL94V-0.
- CONTACT MATERIAL : DIAMETER 0.45MM PHOSPHOR BRONZE
GOLD PLATING OVER NICKEL.
- MATING/UNMATING FORCE : 2.2KG.F MAX.
- RETENTION STRENGTH : 7.7KG.F MIN BETWEEN JACK AND PLUG.
- OPERATING LIFE : 600 CYCLES MIN.

ENVIRONMENTAL:

- STORAGE : -10°C ~ +40°C RELATIVE HUMIDITY<70%.
- OPERATION : -40°C ~ +85°C.

Remark:

- Tolerances Unless Otherwise Specified
.0 ± 0.25 .00 ± 0.20 .000 ± 0.10
- The mark with ★ is the key inspection dimension for QC

NINGBO KLS ELECTRONIC CO.,LTD

Units	MM	Drawing	yeyouyu	Material		Name	
Scale	1 : 1	Check	wangbin	HOUSING	PBT	Part Number	L-KLS12-108-8P8C-1X1-0-0-2-01
Rev'	A / 1	Approval	xuxiaorong	PIN	Qsn6.5-0.1	File Name	
View		Date	2008/06/05				