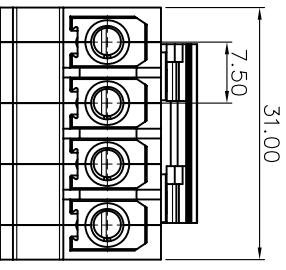
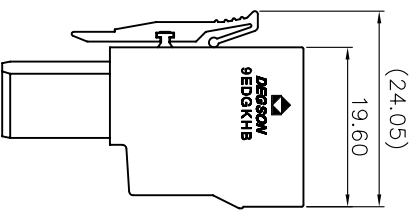
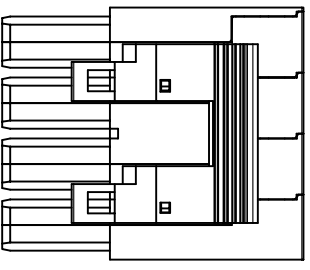
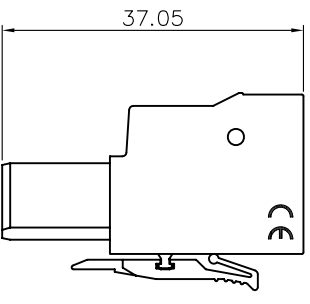
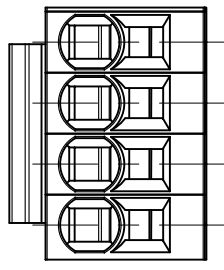


REVISION RECORD			
REV	ECN	DESCRIPTION	DRFT DATE



- NOTES1:
- 1. UL Standard
 - 2. Rated voltage/current : 600V / 35A
 - 3. Withstanding voltage : AC2200V/1Min.
 - 4. Wire range : 24~8AWG

- NOTES2:
- 1. Dimension shall be interpreted per ASME Y14.5-2009
 - 2. Pitch : 7.50mm, Poles : 04P
 - 3. Stripping length : 14~15mm
 - 4. Operating temperature: -40°C~+105°C
 - 5. Undimensioned tolerances:

Pitch range	in mm		Nominal dimension range		mm
	Over	Under	Over	Under	
6	TO	TO	30	60	0.1/10
10	TO	TO	60	100	150
24	TO	TO	100	150	<
30	TO	TO	150	150	<
±0.15	±0.20	±0.30	±0.30	±0.50	±0.70
±1.00	±1.30	±1.00	±1.00	±1.30	±2°

6. RoHS Compliance

9EDGKHB - Z5 - 04P - 1Y - 00A (H)
 (Series No.) (Pitch) (Poles) (Single Pitch) (Color) : 1. (Grey)
 2. (Blue)
 3. (Black)
 4. (Green)
 5. (Orange)
 6. (Red)
 7. (Transparent)
 8. (Yellow)
 9. (White)

DETACHED LISTS			
PART NO.:	/	NAME:	DEGSON ® NINGBO DEGSON ELECTRICAL CO., LTD 宁波高松电子有限公司
APPD:	/	CHKD:	/
DRFT:	/	TITLE:	CUSTOMER DRAWING
THIRD ANGLE PROJECTION		DRAWING NO.:	/
1X1 (INCH)	DO NOT SCALE DRAWING	REV	DO
2	1	SHEET	1/1
3	1	SCALE	1:1