

## **DAVICOM Semiconductor, Inc.**

---

# **DM5885**

**720H Decoder Mix 4 NTSC/PAL Channels  
to One SD or HD Signal**

**DATA SHEET**

*Final*  
**Version: DM5885-DS-F01**  
**August 19, 2015**

**REVISION HISTORY:**

Date	Revision	Description
2012/02/02	1.1	Initial release
2012/02/04	1.2	Terminal assignment modified (pin28 ~ pin32) Application schematics modified

**Table of Contents**

<b>INTRODUCTION .....</b>	<b>6</b>
FEATURES.....	7
APPLICATIONS.....	8
<b>TERMINAL ASSIGNMENT .....</b>	<b>9</b>
TERMINAL FUNCTIONS.....	10
<b>BLOCK DIAGRAM .....</b>	<b>21</b>
<b>VIDEO DECODER .....</b>	<b>22</b>
VIDEO INTERFACE .....	22
Multi-channel Time Division Multiplexing.....	23
4-CH VIDEO DECODER .....	25
VIDEO DECODER UNIT.....	26
Video Synchronization.....	26
Automatic Gain Control.....	26
Y/C Separation .....	27
UV demodulation.....	27
Luma/Chroma Processor .....	27
Video Interface .....	27
Fast Switch Parameter RAM .....	27
FILTER RESPONSE.....	28
Anti-alias LPF.....	28
Decimation filter .....	28
Luma notch filter .....	29
Chroma band pass filter.....	29
Y sharpness filter .....	30
UV demodulation low pass filter .....	31

---

<b>AUDIO CODEC</b> .....	<b>32</b>
DIGITAL AUDIO FORMAT.....	34
EXTENDED DIGITAL AUDIO FORMAT .....	35
<b>PLL</b> .....	<b>36</b>
<b>HOST INTERFACE</b> .....	<b>37</b>
<b>VIDEO MIXER</b> .....	<b>38</b>
OUTPUT FORMAT .....	39
VIDEO MIXER BLOCK.....	40
Video Source.....	40
Channel Switch Block.....	40
Capture interface.....	41
Mixer Core .....	46
Mix-Out Interface .....	46
Chip-Level Output Unit.....	51
<b>INTERNAL CONTROL REGISTERS</b> .....	<b>52</b>
SYSTEM CONTROL.....	52
VIDEO ADC .....	65
PLL .....	72
AUDIO ADC/DAC.....	75
VIDEO DECODER.....	83
AGC .....	84
Video Detection Misc.....	85
Color Killer .....	86
2D Comb Filter .....	86
VIDEO MIXER.....	109
<b>MIXER OUTSEL CONFIGURATION TABLE</b> .....	<b>132</b>



---

<b>ELECTRICAL SPECIFICATIONS .....</b>	<b>137</b>
ABSOLUTE MAXIMUM RATINGS OVER OPERATING FREE-AIR TEMPERATURE RANGE .....	137
Recommended Operating Conditions .....	138
Crystal Specifications .....	139
ELECTRICAL CHARACTERISTICS.....	139
DC ELECTRICAL CHARACTERISTICS .....	139
Analog Processing and A/D Converters .....	140
Timing .....	140
<b>PACKAGING .....</b>	<b>144</b>
<b>ORDERING INFORMATION.....</b>	<b>145</b>
<b>DISCLAIMER.....</b>	<b>145</b>
<b>PRODUCTS .....</b>	<b>145</b>
<b>CONTACT WINDOWS.....</b>	<b>145</b>

## Introduction

The DM5885 is a 4-channel video decoder which converts 4 channels of 6.5 MHz analog CVBS signals to 4 channels of digital 27 MHz CCIR656 signals. The DM5885 integrates two internal PLLs, and decodes 720H videos using the same (27MHz) external clock source. The DM5885 also features a patented fast switch function. With the fast switch function, the DM5885 can decode up to 8 analog CVBS with little frame rate loss.

The DM5885 includes two SD mixers and one HD mixer. Each SD/HD mixer can multiplex up to 4 video sources. In addition to two SD CCIR656 outputs or one HD SMPTE 274M output, the DM5885 mixer can output four D1 videos through one TDM4 interface. The mixers support image mirror and H partition functions. Both interlaced and progressive digital video outputs are supported.

The DM5885 also includes five audio ADCs and one audio DAC.

## Features

### Video Decoder

- Accepts NTSC (M,J), PAL (B, D, G, H, I, M, Nc)
- Hardware Fast Switch function
- Fast Switch also controllable by software or external pin
- Software channel ID in active region
- Four 10-bits video ADCs with built in 6.5 MHz analog low pass filter
- Automatic gain control for Luminance and Chrominance
- Programmable brightness, contrast, saturation, hue, and sharpness
- 5-H comb filter for YC separation
- Chrominance line filter for PAL phase error
- DLL for video synchronization, supports 27MHz crystal within +/-1000 ppm variance
- Advanced video synchronization for weak and noisy CVBS. Supports video signal transmitted by 500-meter long cable
- Up to 2 CCIR656 output interfaces which could be configured as 2 sets of CCIR656 (27MHz) or 2 sets of TDM2 (54MHz) or 1 set of TDM4 (108MHz)
- Support line lock camera

### Audio Codecs

- Five audio ADCs and one audio DAC are integrated
- Master I2S/DSP playback, record and audio-mixing
- Supports extended I2S/DSP format transmitting up to 16 audio channels using one data pin
- 16-bit or 8-bit 48/24/16/8 KHz PCM format

**Video Mixer**

- Two SD mixers and one HD mixer. Each mixer supports up to 4 channels
- Two SD CCIR656 outputs (27MHz) or one HD SMPTE 274M output (74.25MHz)
- One TDM4 (108MHz) output
- One optional TDM4 input as mixer video sources.
- Various mixing combinations. Special H partition supported
- Video mirror supported
- Support both interlaced and progressive mixer output
- 16-bit SDRAM interface

**Miscellaneous**

- Use a single external 27MHz crystal to support 720H video
- Two programmable PLLs integrated
- Slave I2C bus
- Ultra low power consumption. Under 500mW for normal operation. Under 50mW for suspend mode.
- 128-pin LQFP package (14mmx14mm)
- 1.8V core power, 3.3V analog power and 1.8V analog power

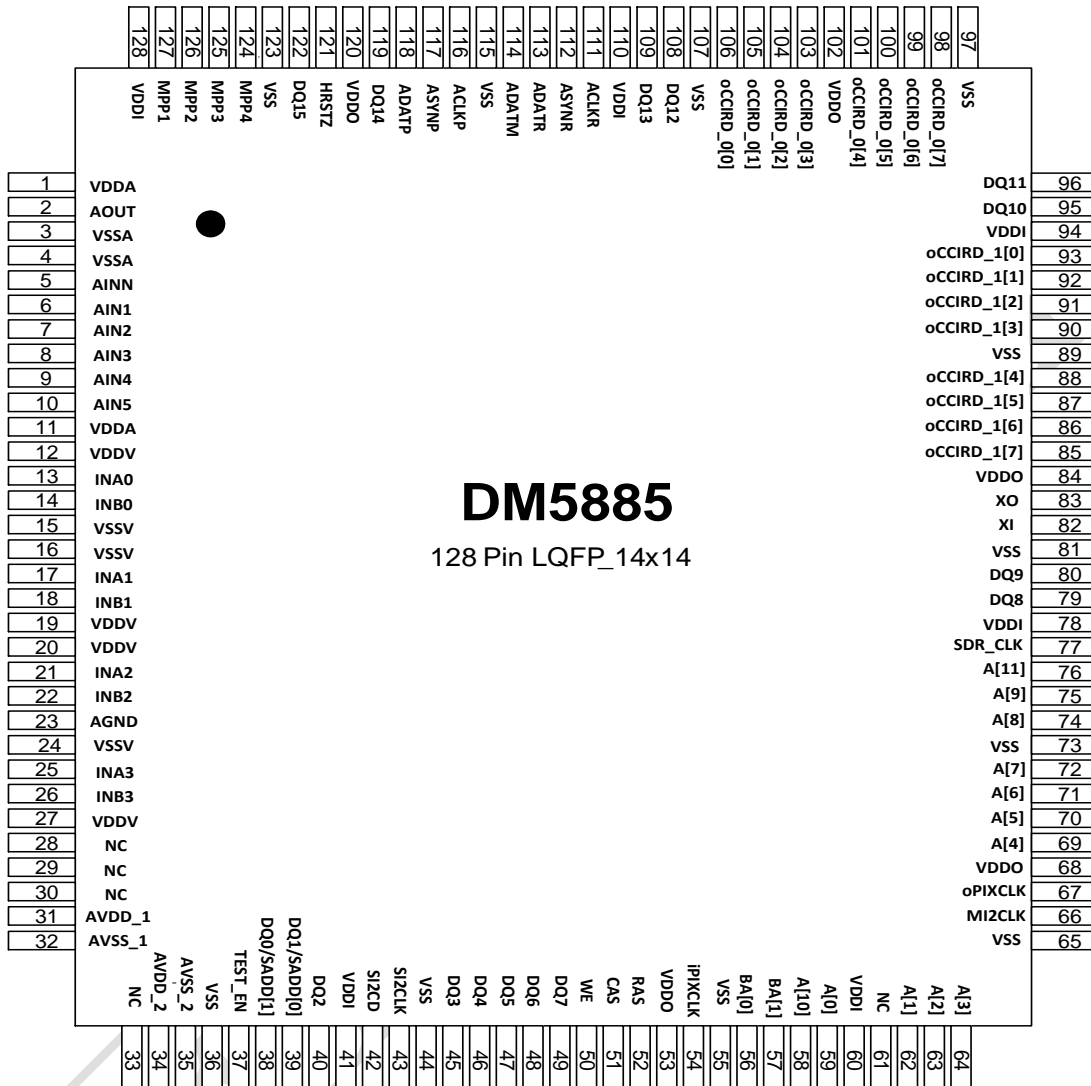
**Applications**

Suggested applications include

- DVR
- Car DVR
- Video capture card



## Terminal Assignment



## Terminal Functions

### Analog Video/Audio Interface Pins

Pin Name	Pin Number	Type	Description
INA0	13	A	CVBS input A of channel 0 or S-VIDEO Y of channel 0
INB0	14	A	CVBS input B of channel 0 or S-VIDEO Y of channel 0
INA1	17	A	CVBS input A of channel 1 or S-VIDEO C of channel 0
INB1	18	A	CVBS input B of channel 1 or S-VIDEO C of channel 0
INA2	21	A	CVBS input A of channel 2 or S-VIDEO Y of channel 1
INB2	22	A	CVBS input B of channel 2 or S-VIDEO Y of channel 1
INA3	25	A	CVBS input A of channel 3 or S-VIDEO C of channel 1
INB3	26	A	CVBS input B of channel 3 or S-VIDEO C of channel 1
AIN1	6	A	Audio input of channel 1
AIN2	7	A	Audio input of channel 2
AIN3	8	A	Audio input of channel 3
AIN4	9	A	Audio input of channel 4
AIN5	10	A	Audio input of channel 5
AINN	5	A	Audio input negative control
AOUT	2	A	Audio output

**Digital Video/Audio Interface Pins**

Pin Name	Pin Number	Type	Description
oCCIRD_0[7:0]	98,99,100, 101,103,104, 105,106	O	Video data output of channel 0 or SMPTE 274M Y bus output or TDM2/TDM4 Output Data Bus
oCCIRD_1[7:0]	85,86,87, 88,90,91, 92,93	IO	Video data output of channel 1 or SMPTE 274M C bus output or TDM2/TDM4 Output Data Bus
A[11:0]	76,58,75, 74,72,71 70,69,64 63,62,59	IO	SDRAM ADDRESS Bus
DQ[15:2]	122,119,109, 108,96,95, 80,79,49, 48,47,46, 45,40	IO	SDRAM DATA Bus
DQ0/SADD[1]	38	IO	SDRAM DATA Bus DQ[0], MSB of I2C Device ID strapping
DQ1/SADD[0]	39	IO	SDRAM DATA Bus DQ[1], LSB of I2C Device ID strapping
SDR_CLK	77	IO	SDRAM CLOCK
BA[1:0]	57,56	IO	SDRAM BANK Select
WE	50	O	SDRAM Control: WE
CAS	51	O	SDRAM Control: CAS
RAS	52	O	SDRAM Control: RAS
ACLKR	111	O	Audio serial clock output of record.
ASYNR	112	O	Audio serial sync output of record.
ADATR	113	O	Audio serial data output of record.
ADATM	114	O	Audio serial data output of mixing
ACLKP	116	O	Audio serial clock output of playback
ASYNP	117	O	Audio serial sync output of playback
ADATP	118	I	Audio serial data input of playback

**GPIO**

Pin Name	Pin Number	Type	Description
MPP4	124	IO	FLD/ACTIVE/NOVID/FASTSW_SEL of channel 4
MPP3	125	IO	FLD/ACTIVE/NOVID/FASTSW_SEL of channel 3
MPP2	126	IO	FLD/ACTIVE/NOVID/FASTSW_SEL of channel 2
MPP1	127	IO	FLD/ACTIVE/NOVID/FASTSW_SEL of channel 1

**System Control Pins**

Pin Name	Pin Number	Type	Description
HRSTZ	121	I	System reset.
XI	82	I	Crystal 27 MHz connection or Oscillator clock input.
XO	83	O	For crystal 27 MHz connection.
oPIXCLK	67	O	27/54/108MHz or SMPTE 274M 74.25MHz clock output
TEST_EN	37	I	Test enable, please connect it to ground
SI2CD	42	IO	Slave I2C data
SI2CLK	43	I	Slave I2C clock
iPIXCLK	54	I	CCIR656 27MHz or TMD 108 MHz clock input.
MI2CLK	66	IO	Master i2c clock (open drain)

**Power, Ground and NC Pins**

Pin Name	Pin Number	Type	Description
VDDA	1,11	P	1.8V Power for analog audio DAC
VSSA	3,4	G	Ground for analog audio DAC
VDDV	12,19,20,27	P	1.8V Power for video ADC
VSSV	15,16,24	G	Ground for video ADC
AGND	23	G	Analog ground (used as signal input reference, CH_AGND)
AVDD_1	31	P	1.8V Power for analog clock PLL1
AVSS_1	32	G	Ground for analog clock PLL1
AVDD_2	34	P	1.8V Power for analog clock PLL2
AVSS_2	35	G	Ground for analog clock PLL2
VDDI	41,60,78,94, 110,128	P	1.8V Power for internal logic.
VDDO	53,68,84, 102,120	P	3.3V Power for output driver
VSS	36,44,55,65, 73,81,89,97, 107,115,123	G	Ground for internal logic and output driver
NC	28,29,30,33 61		Not Connected

**Pin Usage of ITDM Video Input**

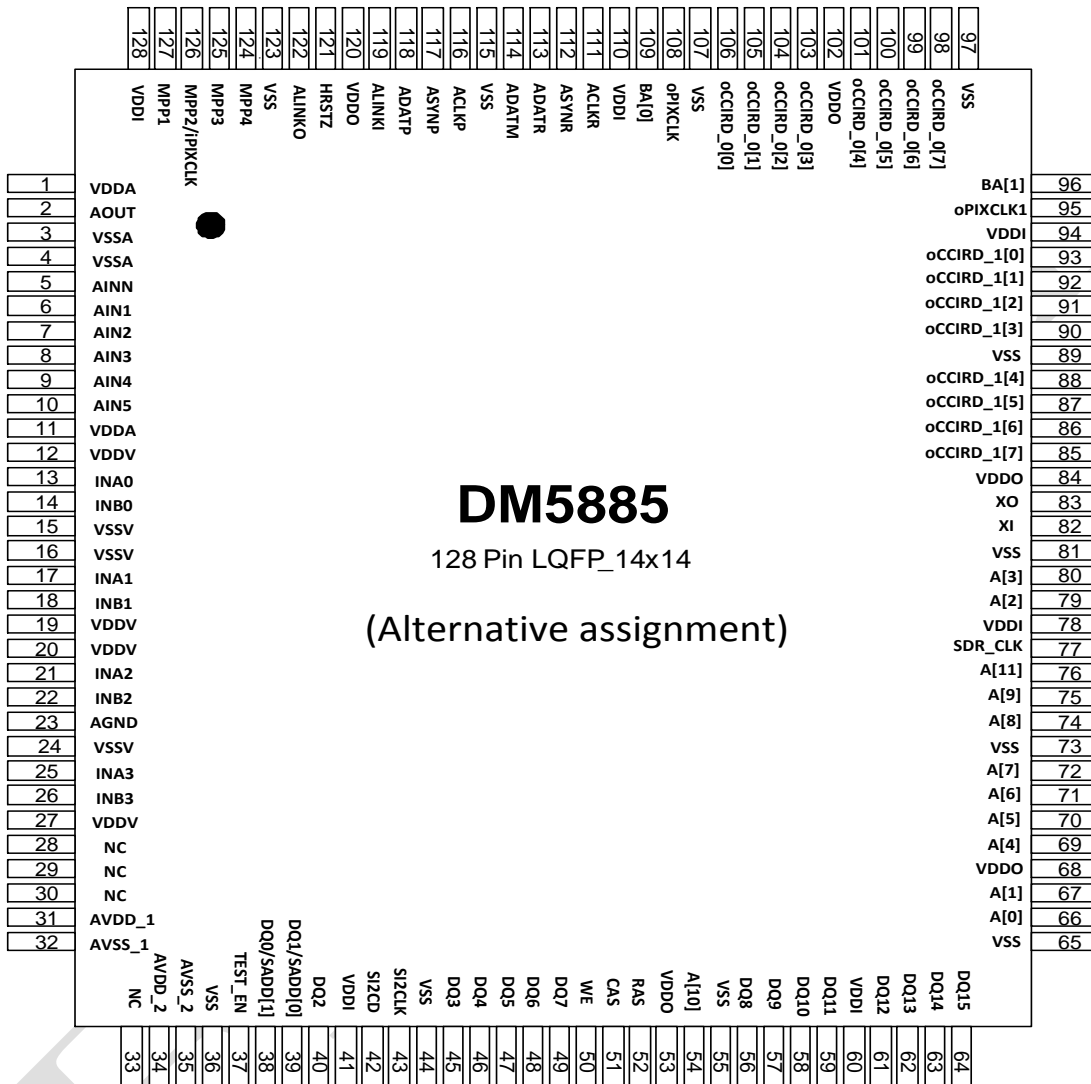
<b>ITDM Video In</b>	<b>Settings</b>	CCIRINPINOPT=0
	<b>Clock</b>	iPIXCLK (pin 54)
	<b>Data Bus [7:0]</b>	oCCIRD_1[7:0]

**Pin Usage of Video Output**

<b>Video Out</b>	1	oCCIRD_0[7:0] SD: CCIR656/TDM2/TDM4 HD: Y component
	2	oCCIRD_1[7:0] (Only when ITDM is disabled) SD: CCIR656/TDM2/TDM4 HD: C component

- Alternative assignment

(PINCFG = 2'h3 @ REG 6A)



- Terminal functions of alternative assignment

(PINCFG = 2'h3 @ REG 6A)

**Analog Video/Audio Interface Pins**

Pin Name	Pin number	Type	Description
INA0	13	A	CVBS input A of channel 0 or S-VIDEO Y of channel 0
INB0	14	A	CVBS input B of channel 0 or S-VIDEO Y of channel 0
INA1	17	A	CVBS input A of channel 1 or S-VIDEO C of channel 0
INB1	18	A	CVBS input B of channel 1 or S-VIDEO C of channel 0
INA2	21	A	CVBS input A of channel 2 or S-VIDEO Y of channel 1
INB2	22	A	CVBS input B of channel 2 or S-VIDEO Y of channel 1
INA3	25	A	CVBS input A of channel 3 or S-VIDEO C of channel 1
INB3	26	A	CVBS input B of channel 3 or S-VIDEO C of channel 1
AIN1	6	A	Audio input of channel 1
AIN2	7	A	Audio input of channel 2
AIN3	8	A	Audio input of channel 3
AIN4	9	A	Audio input of channel 4
AIN5	10	A	Audio input of channel 5
AINN	5	A	Audio input negative control
AOUT	2	A	Audio output



**Digital Video/Audio Interface Pins**

Pin Name	Pin number	Type	Description
oCCIRD_0[7:0]	98,99,100, 101,103,104 105,106	O	Video data output of channel 0 or SMPTE 274M Y bus output or TDM2/TDM4 Output Data Bus
oCCIRD_1[7:0]	85,86,87, 88,90,91, 92,93	O	Video data output of channel 1 or SMPTE 274M C bus output or TDM2/TDM4 Output Data Bus
A[11:0]	76,54,75,74, 72,71,70,69, 80,79,67,66	IO	SDRAM ADDRESS Bus
DQ[15:2]	64,63,62,61, 59,58,57,56, 49,48,47,46, 45,40,	IO	SDRAM DATA Bus
DQ0/SADD[1]	38	I	SDRAM DATA Bus DQ[0], MSB of I2C Device ID strapping
DQ1/SADD[0]	39	I	SDRAM DATA Bus DQ[1], LSB of I2C Device ID strapping
SDR_CLK	77	O	SDRAM CLOCK
BA[1:0]	96,109	IO	SDRAM BANK Select
WE	50	O	SDRAM Control : WE
CAS	51	O	SDRAM Control : CAS
RAS	52	O	SDRAM Control : RAS
ACLKR	111	O	Audio serial clock output of record
ASYNR	112	O	Audio serial sync output of record.
ADATR	113	O	Audio serial data output of record
ADATM	114	O	Audio serial data output of mixing
ACLKP	116	IO	Audio serial clock output of playback or TDM2/TDM4 Input/output Data Bus[7]
ASYNP	117	IO	Audio serial sync output of playback or TDM2/TDM4 Input/output Data Bus[6]
ADATP	118	IO	Audio serial data input of playback or TDM2/TDM4 Input/output Data Bus[5]
ALINKI	119	IO	Interrupt request output, Audio Multi-chip serial input or TDM2/TDM4 Input/output Data Bus[4]
ALINKO	122	IO	Audio Multi-chip serial output or TDM2/TDM4 Input/output Data Bus[3]

**GPIO**

Pin Name	Pin number	Type	Description
MPP4	124	IO	FLD/ACTIVE/NOVID/FASTSW_SEL of channel 4 or TDM2/TDM4 Input/output Data Bus[2]
MPP3	125	IO	FLD/ACTIVE/NOVID/FASTSW_SEL of channel 3 or TDM2/TDM4 Input/output Data Bus[1]
MPP2/iPIXCLK	126	IO	FLD/ACTIVE/NOVID/FASTSW_SEL of channel 2 or TDM2/TDM4 Input/output Clock
MPP1	127	IO	FLD/ACTIVE/NOVID/FASTSW_SEL of channel 1 or TDM2/TDM4 Input/output Data Bus[0]

**System Control Pins**

Pin Name	Pin number	Type	Description
HRSTZ	121	I	System reset
XI	82	I	Crystal 27MHz connection or Oscillator clock input.
XO	83	O	Crystal 27MHz connection
oPIXCLK	108	O	27/54/108MHz or SMPTE 274M 74.25MHz clock output.
oPIXCLK1	95	O	27/54/108MHz or SMPTE 274M 74.25MHz clock output
TEST_EN	37	I	Test enable, please connect it to ground
SI2CD	42	IO	Slave I2C data
SI2CLK	43	I	Slave I2C clock

**Power, Ground and NC Pins**

Pin Name	Pin number	Type	Description
VDDA	1,11	P	1.8V Power for analog audio DAC
VSSA	3,4	G	Ground for analog audio DAC
VDDV	12,19,20,27	P	1.8V Power for video ADC
VSSV	15,16,24	G	Ground for video ADC
AGND	23	G	Analog ground (used as signal input reference, CH_AGND)
AVDD_1	31	P	1.8V Power for analog clock PLL1
AVSS_1	32	G	Ground for analog clock PLL1
AVDD_2	34	P	1.8V Power for analog clock PLL2
AVSS_2	35	G	Ground for analog clock PLL2
VDDI	41,60,78,94, 110,128	P	1.8V Power for internal logic
VDDO	53,68,84, 102,120	P	3.3V Power for output driver
VSS	36,44,55,65, 73,81,89,97, 107,115,123	G	Ground for internal logic and output driver
NC	28,29,30,33		Not Connected

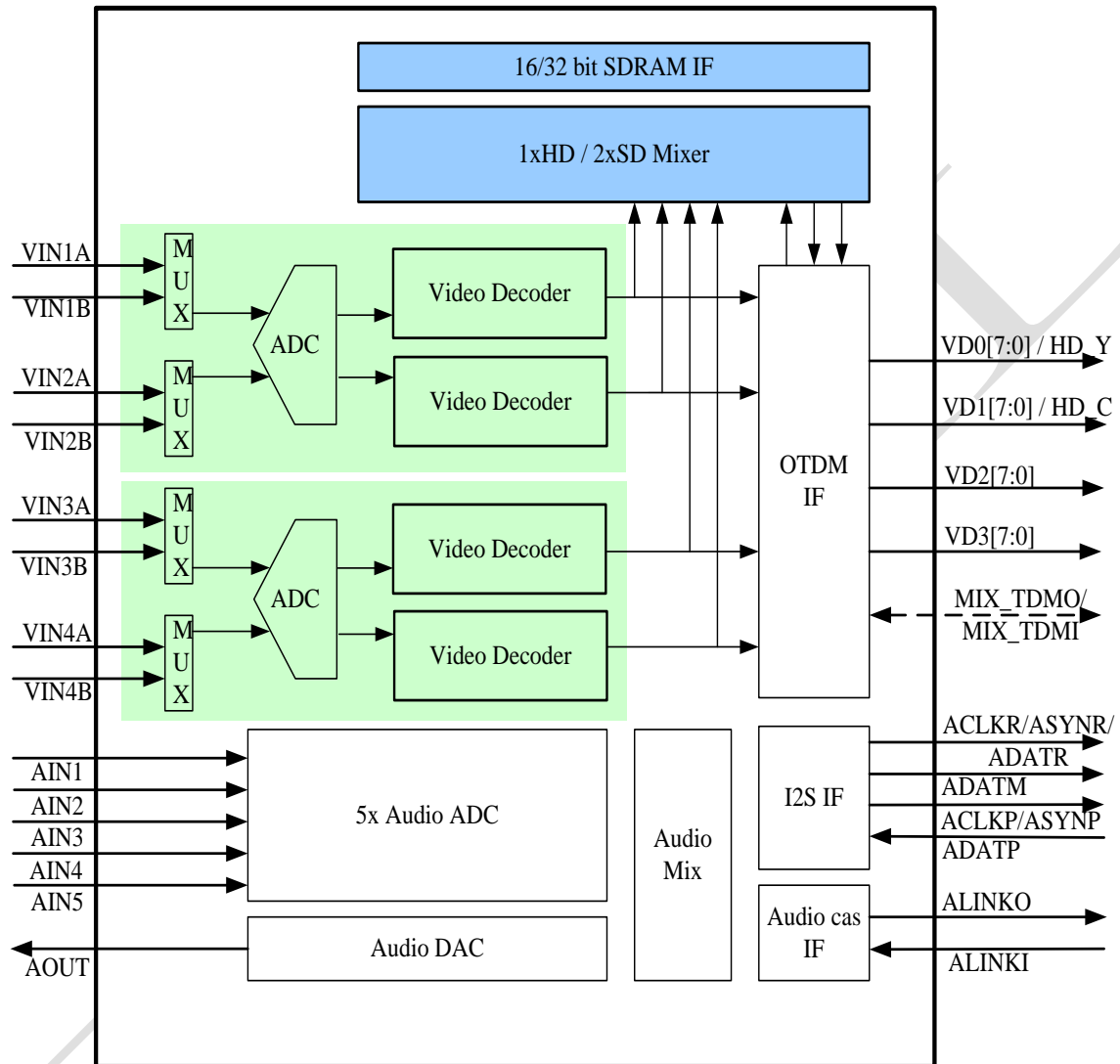
**Pin Usage of ITDM Video Input**

<b>ITDM Video In</b>	<b>Settings</b>	CCIRINPINOPT=1
	<b>Clock</b>	MPP2/iPIXCLK (pin 126)
	<b>Data Bus [7:0]</b>	Pin no. {116, 117, 118, 119, 122, 124, 125, 127}

**Pin Usage of Video Output**

<b>Video Out</b>	1	oCCIRD_0[7:0] SD: CCIR656/TDM2/TDM4 HD: Y component
	2	oCCIRD_1[7:0] SD: CCIR656/TDM2/TDM4 HD: C component
	3	(a) Only when ITDM is disabled (b) set CCIROPINOPT=1 (c) supporting SD: CCIR656/TDM2/TDM4
		Data Bus[7:0]: Pin no. {116, 117, 118, 119, 122, 124, 125, 127}

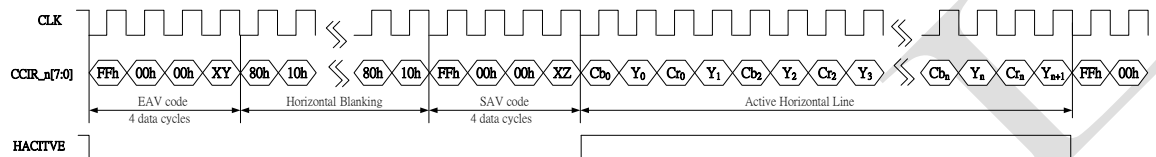
## Block Diagram



## Video Decoder

### Video Interface

The DM5885 outputs 27MHz CCIR656 with 720x480/720x576 resolution. For these video outputs, SAV (Start of Active Video) and EAV (End of Active Video) are inserted to indicate active video interval. Each channel uses one output port to transmit video data, that is, luminance and chrominance data are transmitted through the same port. The output timing diagram is shown below.



The number of data cycles in active horizontal line will vary according to the output format. The active horizontal line contains 1440 cycles.

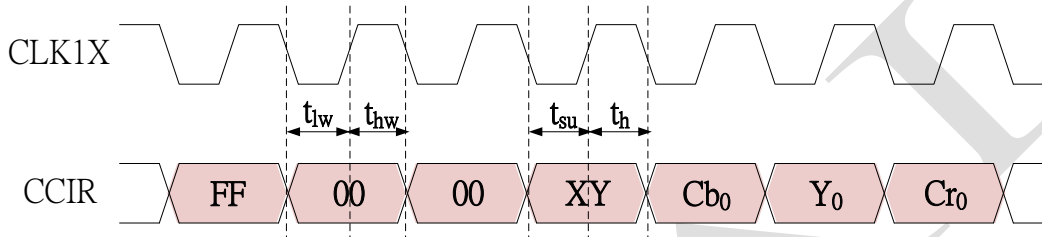
SAV and EAV indicate the active video interval. The values of the first three bytes in SAV and EAV are invariant preamble: 0xFF, 0x00, and 0x00. Different values are designated to the last byte according to different conditions: Field, V time, and H time. The MSB of this byte is always set to 1 and it's followed by three bits to represent the condition of F, V, and H respectively. The last four bits are used as protection bits. The detailed code sequences of SAV and EAV are illustrated in the following table.

Condition			FVH Value			SAV/EAV Code Sequence			
Field	V time	H time	F	V	H	Byte 0	Byte 1	Byte 2	Byte 3
Odd	Active	SAV	0	0	0	0xFF	0x00	0x00	0x80
Odd	Active	EAV	0	0	1	0xFF	0x00	0x00	0x9D
Odd	Blank	SAV	0	1	0	0xFF	0x00	0x00	0xAB
Odd	Blank	EAV	0	1	1	0xFF	0x00	0x00	0xB6
Even	Active	SAV	1	0	0	0xFF	0x00	0x00	0xC7
Even	Active	EAV	1	0	1	0xFF	0x00	0x00	0xDA
Even	Blank	SAV	1	1	0	0xFF	0x00	0x00	0xEC
Even	Blank	EAV	1	1	1	0xFF	0x00	0x00	0xF1

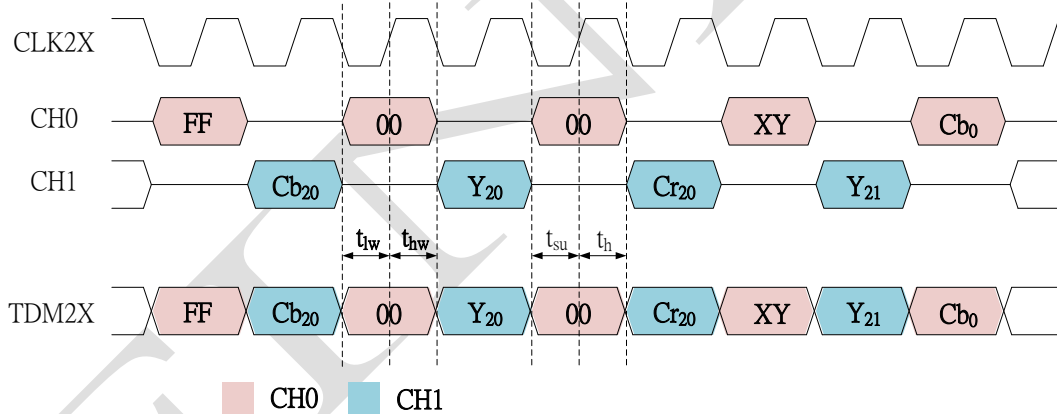
### Multi-channel Time Division Multiplexing

The DM5885 supports 2/4-channel time division multiplexed output format. Thus two or four video channels can be transmitted through one output port. The clock rate should be two or four times of the original sampling rate according to the number of channels to be multiplexed.

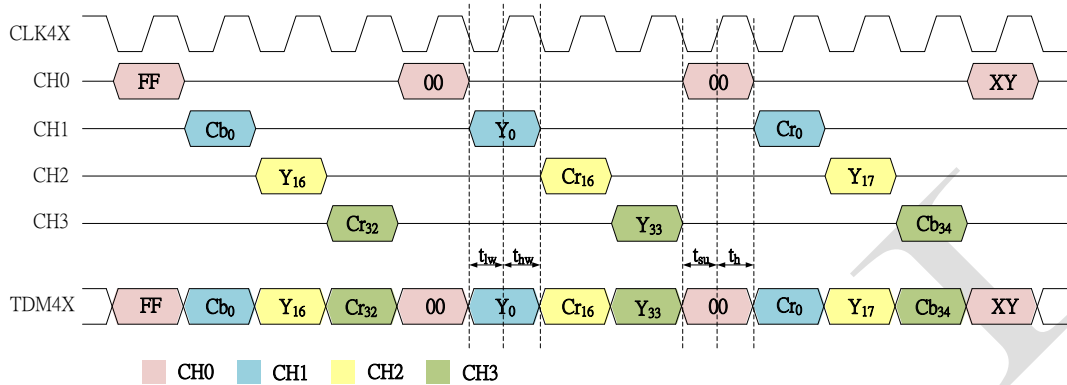
The basic case is the non-multiplexed output. The clock rate follows the original data rate (27 MHz). The timing diagram is illustrated below.



When two-channel multiplexing is selected, two times of the original clock rate is used (54 MHz). The timing diagram is illustrated below.



When four-channel multiplexing is selected, four times of the original clock rate is used (108 MHz). The timing diagram is illustrated below.

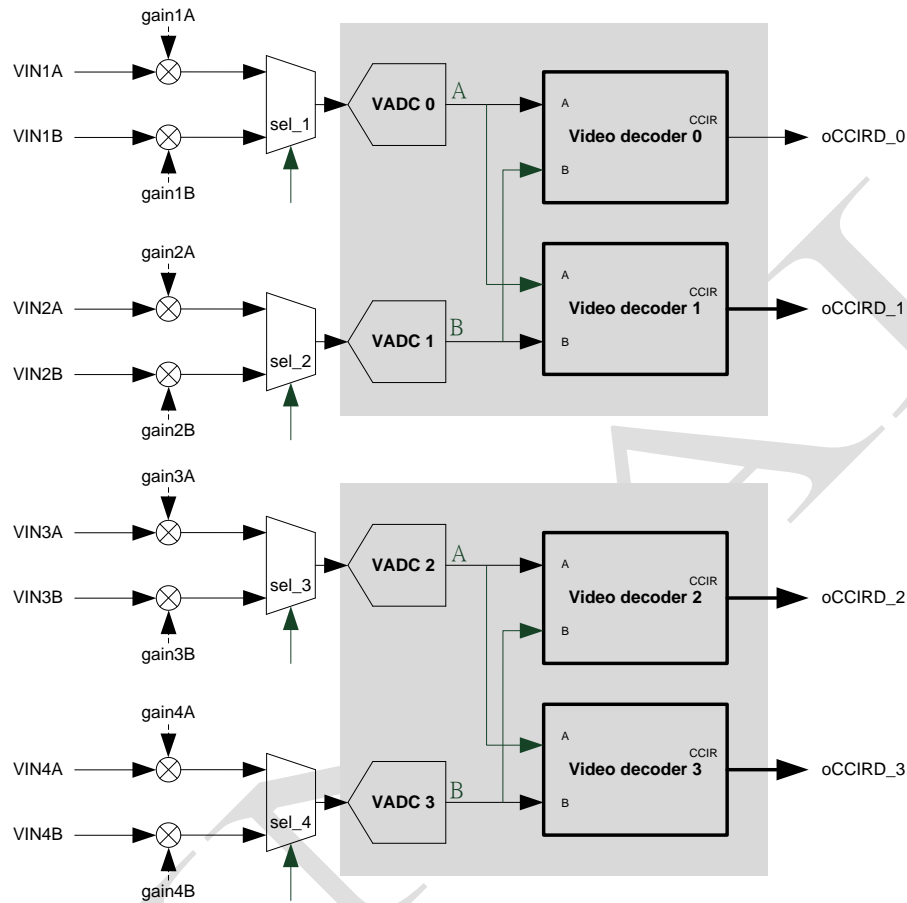


In the Multi-channel Time Division Multiplexing mode, channel IDs are used to indicate the corresponding channels. Channel IDs are defined as the last four bits in SAV/EAV code sequence (i.e. the originally-defined protection bits). The relationship between SAV/EAV code sequence and channel ID is illustrated in the following table.

Condition			FVH Value			EAV/SAV Code Sequence						
Field	V time	H time	F	V	H	Byte 0	Byte 1	Byte 2	Byte 3			
									Ch0	Ch1	Ch2	Ch3
Odd	Active	SAV	0	0	0	0xFF	0x00	0x00	0x80	0x81	0x82	0x83
Odd	Active	EAV	0	0	1	0xFF	0x00	0x00	0x90	0x91	0x92	0x93
Odd	Blank	SAV	0	1	0	0xFF	0x00	0x00	0xA0	0xA1	0xA2	0xA3
Odd	Blank	EAV	0	1	1	0xFF	0x00	0x00	0xB0	0xB1	0xB2	0xB3
Even	Active	SAV	1	0	0	0xFF	0x00	0x00	0xC0	0xC1	0xC2	0xC3
Even	Active	EAV	1	0	1	0xFF	0x00	0x00	0xD0	0xD1	0xD2	0xD3
Even	Blank	SAV	1	1	0	0xFF	0x00	0x00	0xE0	0xE1	0xE2	0xE3
Even	Blank	EAV	1	1	1	0xFF	0x00	0x00	0xF0	0xF1	0xF2	0xF3



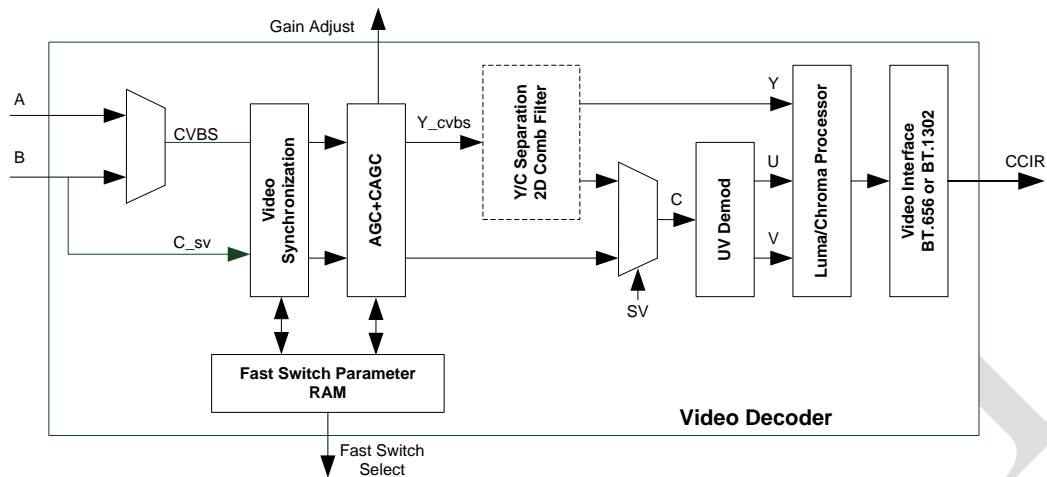
## 4-CH Video Decoder



The DM5885 contains four video decoders supporting up to 8 CVBS inputs.

Each CVBS has its own gain amplifier. For each pair of VINA and VINB, a 2-to-1 MUX selects one CVBS source and passes this source to one video analog-to-digital converter (VADC). The DM5885 has 4 VADCs and 4 video decoders (VD). The VADCs and VDs are organized as 2 banks as shown in the above figure. Each bank can be independently configured to operate at 27MHz.

## Video Decoder Unit



The DM5885 video decoder contains a Video Synchronization block, an AGC block, an YC separation block, a UV Demodulation block, a Luma/Chroma Processor block and a BT 656 output block. A patented Fast Switch is also included.

In addition to CVBS, the DM5885 video decoder supports S-Video as well.

### Video Synchronization

Video Synchronization performs video detection function. It automatically detects NTSC(M), NTSC(443), PAL(B,D,G,H,I), PAL(M), PAL(N), PAL(60). A smart video detection algorithm has been adopted. Therefore the DM5885 can perform fast and stable video synchronization even if the input signal is weak or the external crystal is with error as large as +/- 1000 ppm.

### Automatic Gain Control

Automatic Gain Control (AGC) block performs both Luma AGC and Chroma AGC (CGAC). After video synchronization, Luma AGC adjusts input Luma level to the standard level (1Vpp). A further CAGC is performed after Luma AGC for signal with different Luma and Chroma attenuation.

## **Y/C Separation**

Y/C Separation is for CVBS input only. After this block CVBS signal is separated into Luma and Chroma components. A 5-H 2D comb filter is adapted in the Y/C separation block.

## **UV demodulation**

After Y/C separation, the UV demodulation block performs UV demodulation to the Chroma component. The phase and frequency of the UV demodulation is from a color burst subcarrier tracking block for both NTSC and PAL mode. A UV demodulation LPF is also adopted to filter out chroma noise.

## **Luma/Chroma Processor**

This block contains a programmable Luma sharpness filter. Hue, Saturation, Brightness and Contrast adjustment are also supported. The adjusted video is then transformed from YUV to YCbCr domain for CCIR656 output interface.

## **Video Interface**

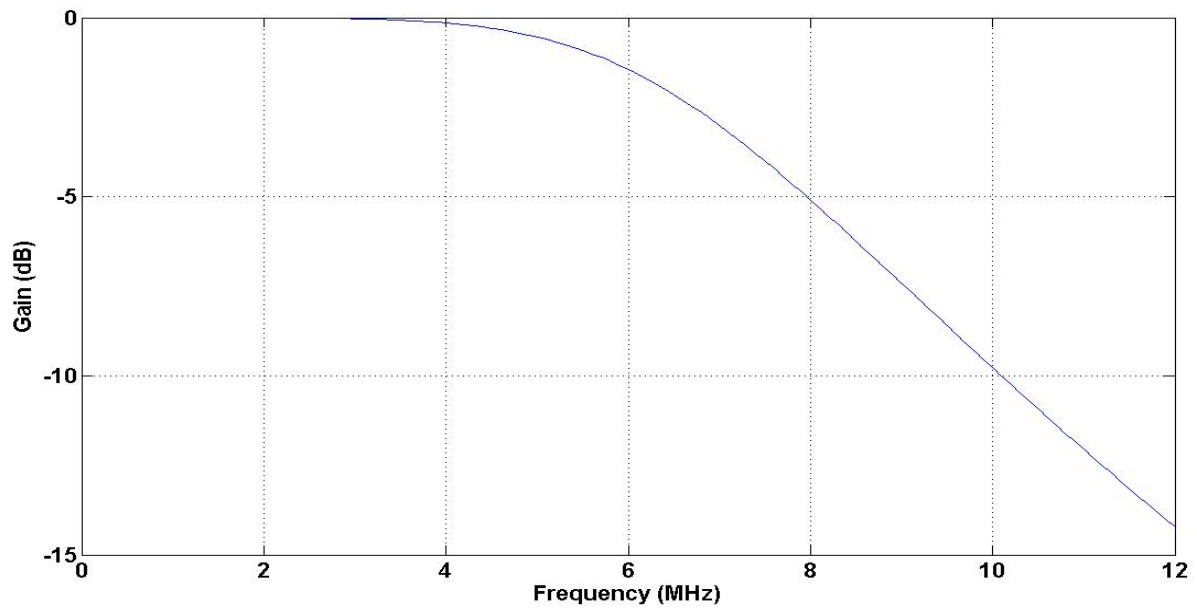
The DM5885 video decoder supports 27MHz BT.656 video output format. A horizontal cropping function also included in this block.

## **Fast Switch Parameter RAM**

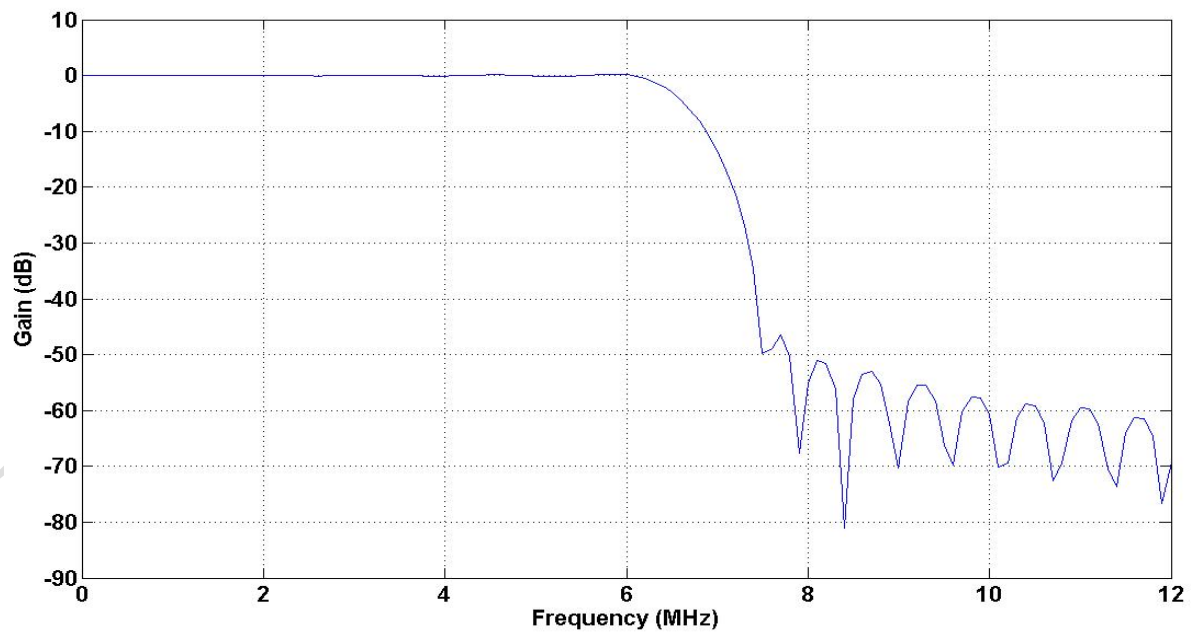
The DM5885 features a patented hardware video source fast switch function. The Fast Switch block has a table which stores video characteristic. Each time HW switches to a previously tracked video source it could complete video synchronization within several lines. With this feature, the DM5885 can decode up to 8 CVBS with little frame rate loss.

## Filter response

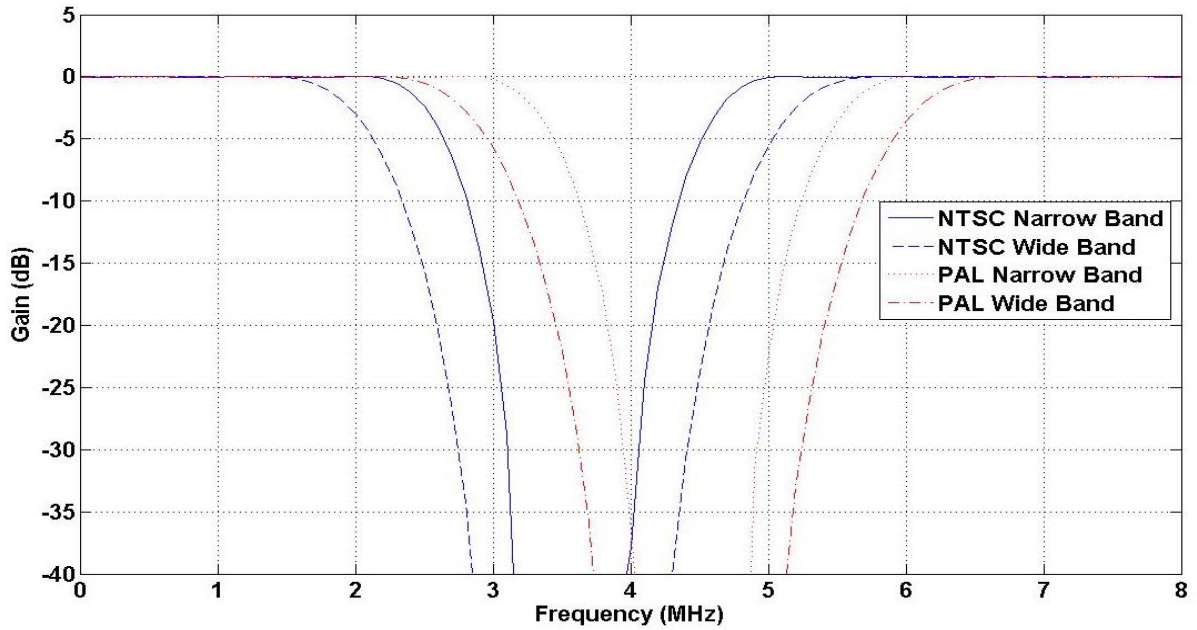
### Anti-alias LPF



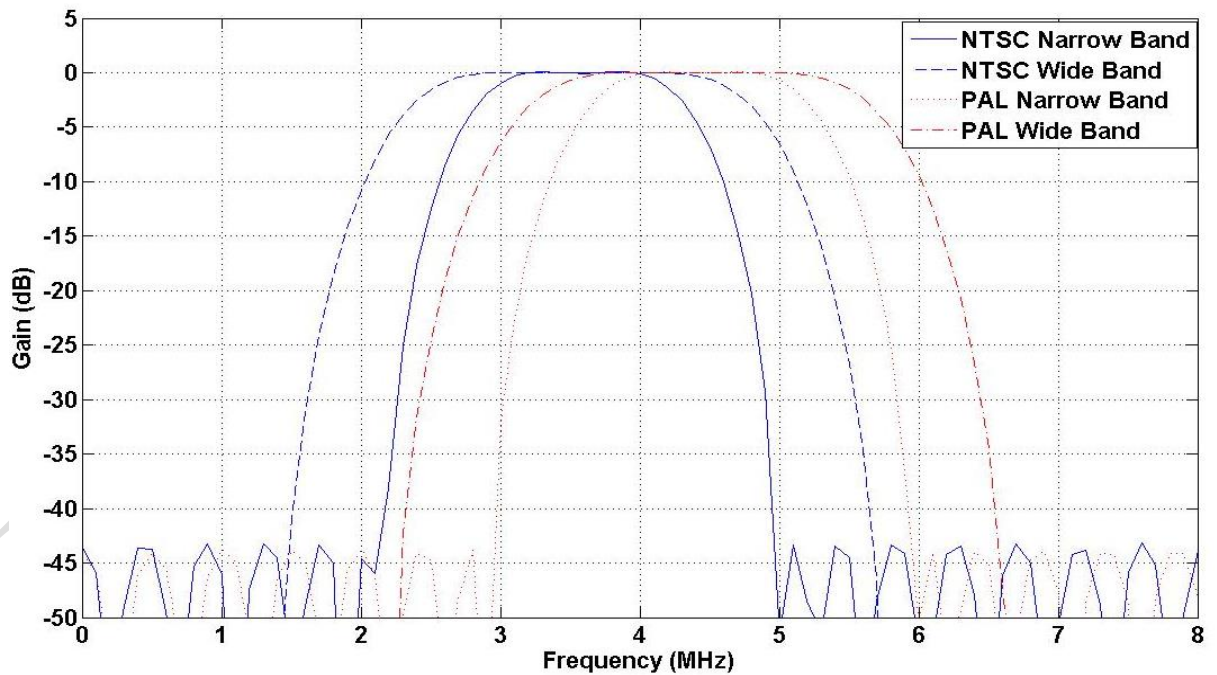
### Decimation filter



## Luma notch filter

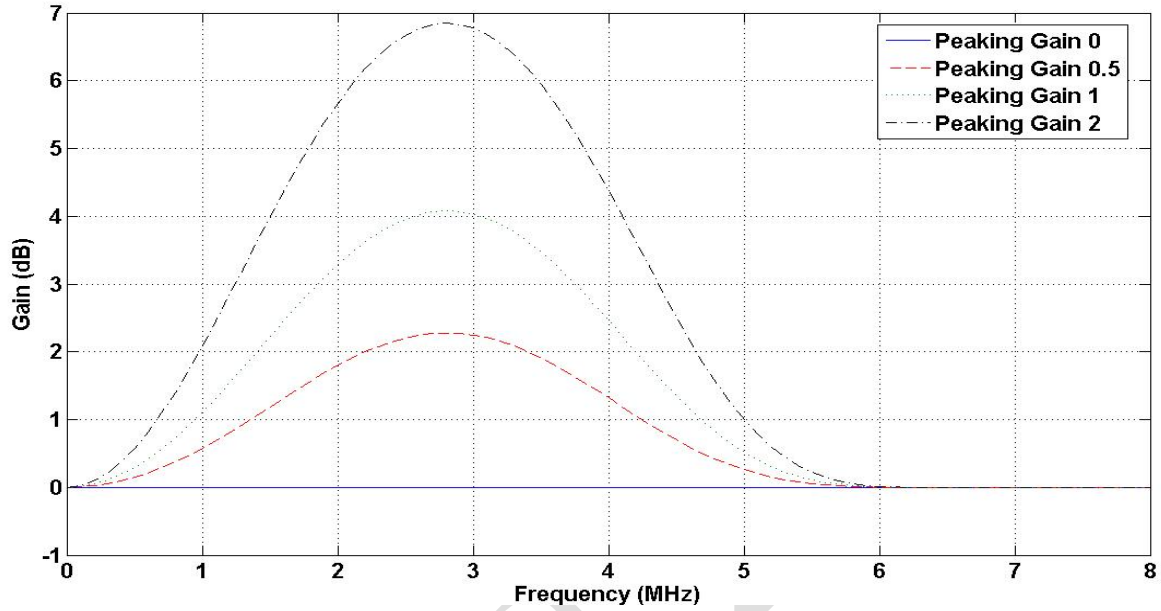


## Chroma band pass filter

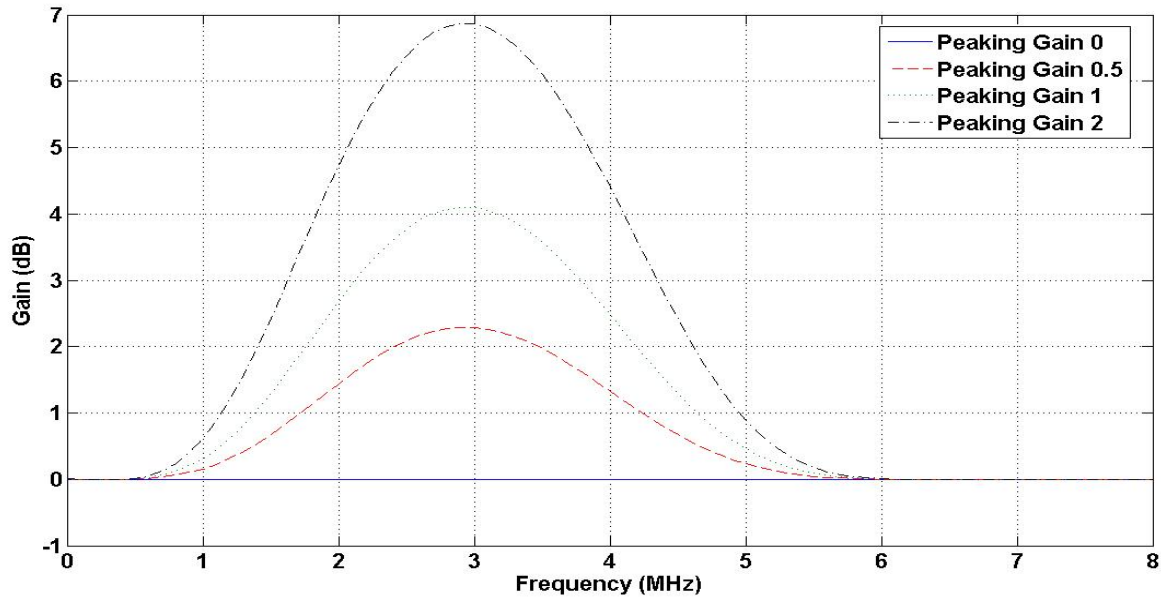


**Y sharpness filter**

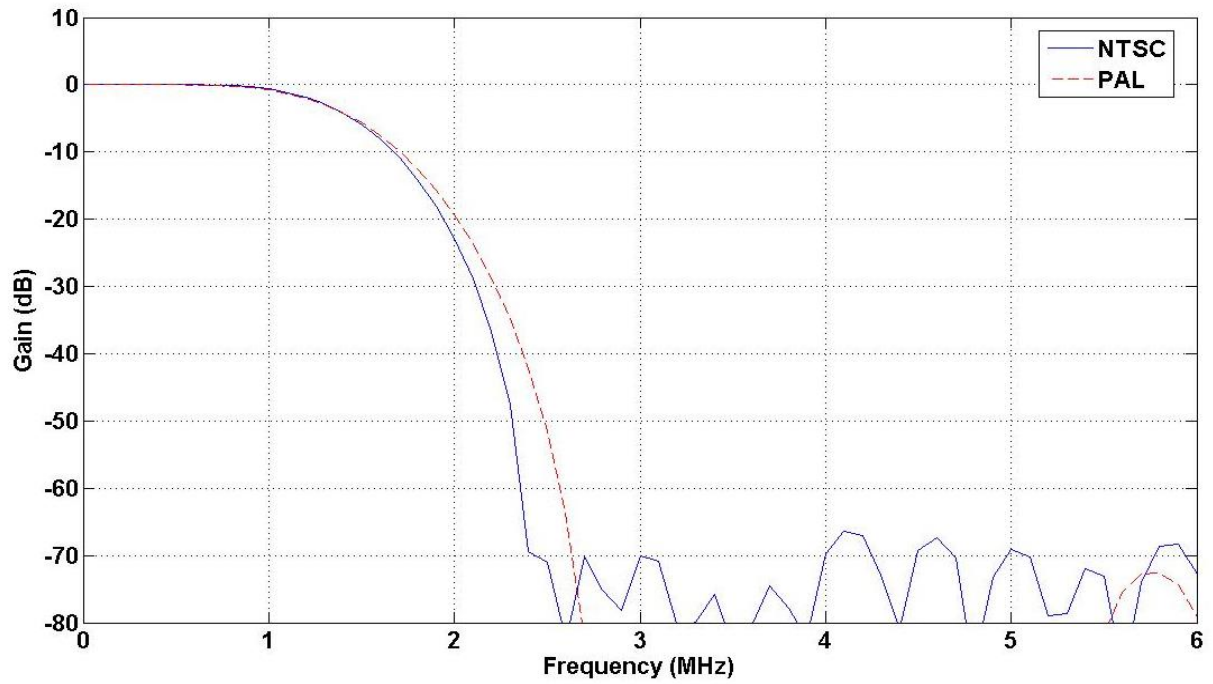
■ NTSC



■ PAL

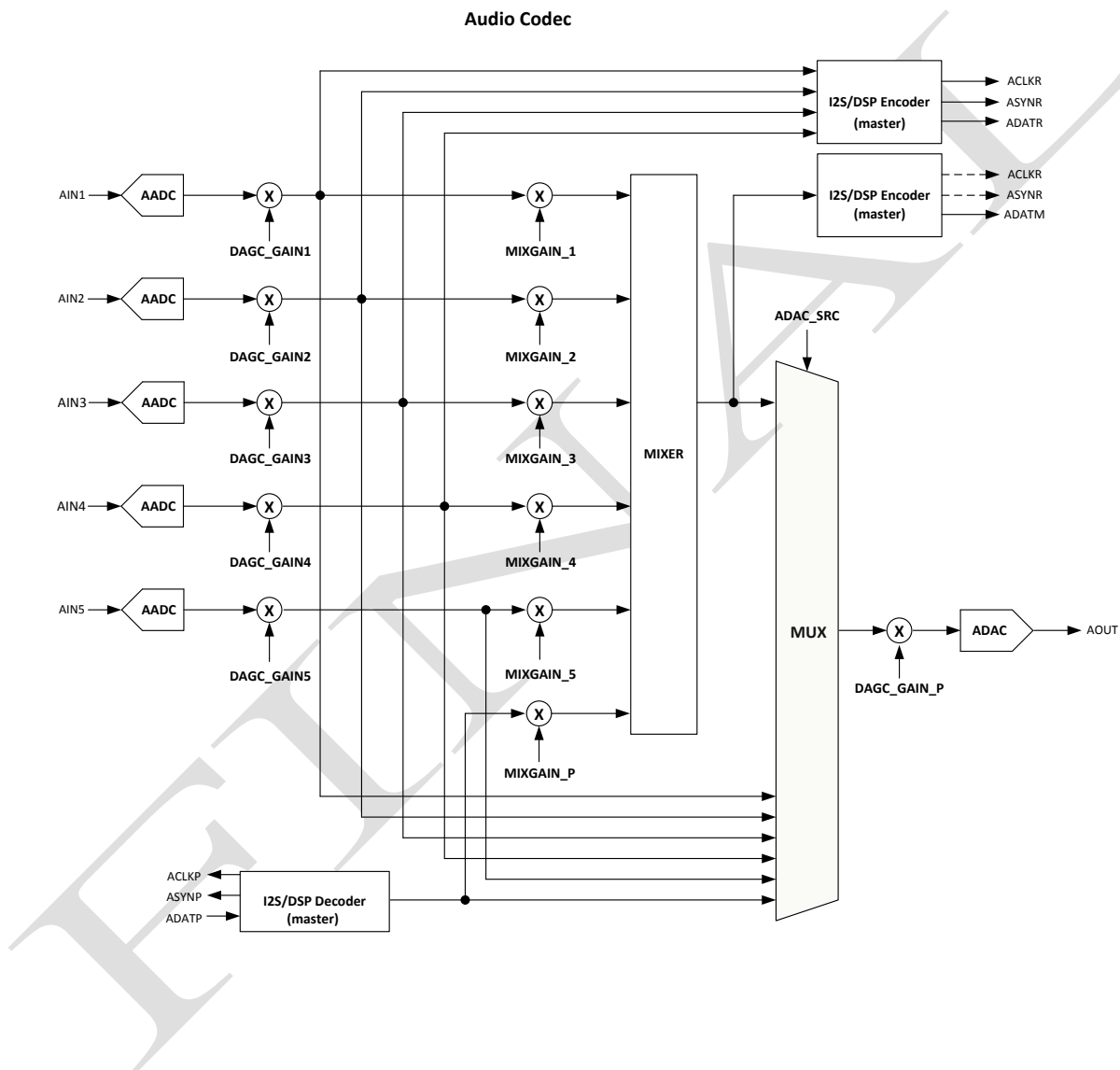


## UV demodulation low pass filter



## Audio CODEC

The audio codec in the DM5885 consists of five audio ADCs, one audio DAC, one audio mixer, one I2S/DSP decoder and two I2S/DSP encoders as shown below. The I2S/DSP decoder and encoders always operate in the master mode.



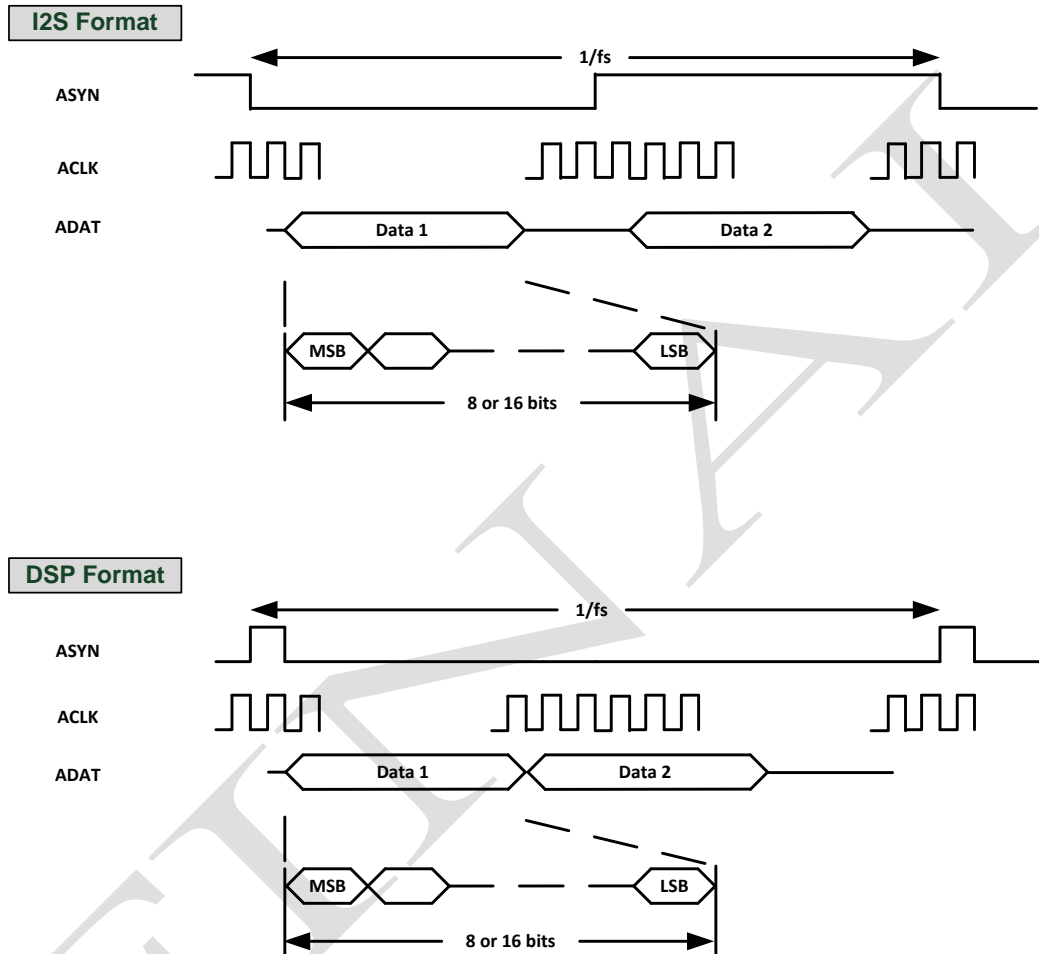


The I2S/DSP decoder is used for playback of digital input. It generates ACLKP and ASYNP signals and accepts serial data via ADATP from a slave device. The levels of the five analog audio inputs (AIN1 ~ AIN5) are programmable via the registers DAGC\_GAIN1, DAGC\_GAIN2, DAGC\_GAIN3, DAGC\_GAIN4 and DAGC\_GAIN5. The six input audio sources can be mixed by the used-defined ratio specified by registers MIXGAIN\_1, MIXGAIN\_2, MIXGAIN\_3, MIXGAIN\_4, MIXGAIN\_5, MIXGAIN\_P. The mixed audio can be output through I2S/DSP encoder or DAC.

The codec provides three interfaces for audio output. The audio DAC can output analog audio for any one of the six input audio sources or the mixed audio. The analog output level is adjustable via register DAGC\_GAIN\_P. Two I2S/DSP encoders are present to output digital audio signal. The first one generates ACLKR, ASYNR and ADATR to output the 4 recorded audio inputs. The second encoder uses ADATM and shares the other two signals (ACLKR and ASYNR) to output the mixed audio.

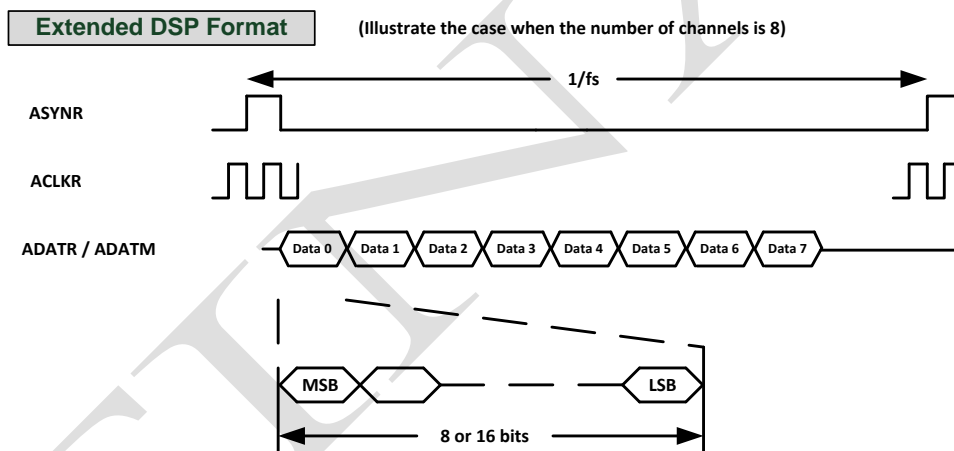
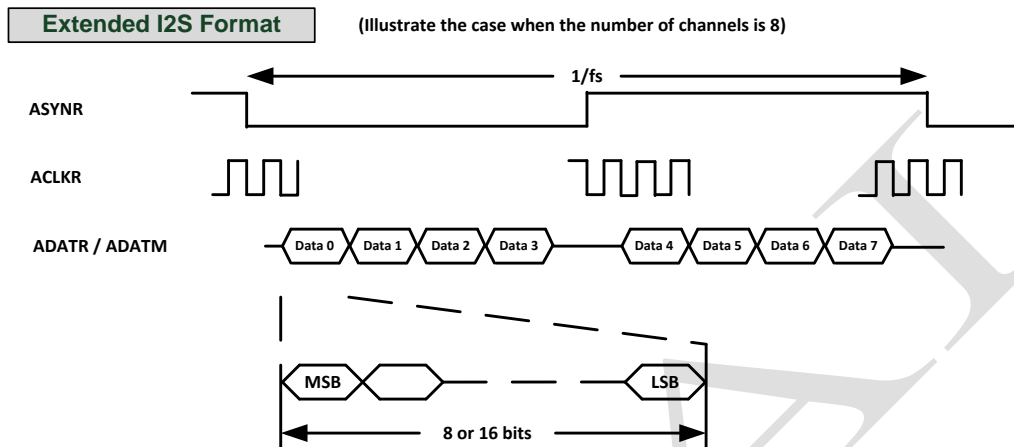
## Digital Audio Format

The 3 digital audio interfaces (decoder for playback and encoder for record or mixing) follow the standard I2S or DSP protocol as shown below. Only master mode (codec being the master) is supported.



## Extended Digital Audio Format

The digital audio encoders also support an extended I2S/DSP format to carry multiple audio channels through a single ADAT pin as shown below.



## PLL

The DM5885 has two internal PLLs to generate the system and pixel clocks. A 27MHz is required for the PLLs.

The default PLL setting is shown in the following table.

	Crystal In clock (MHz)	PLL out (MHz)	Function
PLL1	27	144	System/pixel clock
PLL2	27	74.25	SMPTE 274M pixel clock

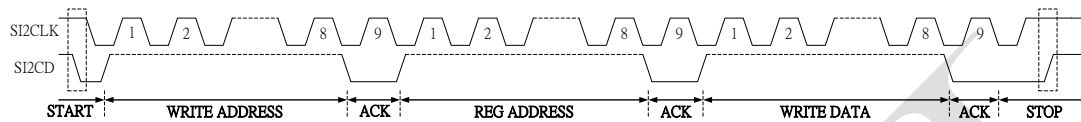
PLL default operated clock

The PLL parameters for various system configurations are shown in the following table.

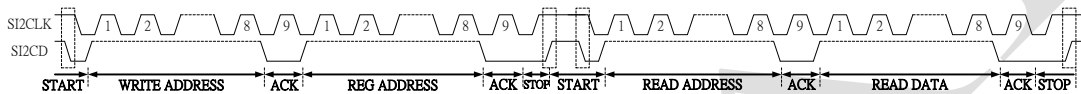
	Crystal(MHz)	PLL out(MHz)	M	N	OD
PLL1	27	144	64(62+2)	6(4+2)	1
	27	108	16(14+2)	2(0+2)	1
PLL2	27	144	64(62+2)	6(4+2)	1
	27	108	16(14+2)	2(0+2)	1
	27	74.25	22(20+2)	2(0+2)	2

## Host Interface

In the DM5885, I<sup>2</sup>C is used for setting configuration and parameters, for example, brightness, contrast, saturation, hue, and sharpness control. The typical timing diagram of I<sup>2</sup>C write and read access is illustrated in the following figure.



Write operation of I<sup>2</sup>C bus



Read operation of I<sup>2</sup>C bus

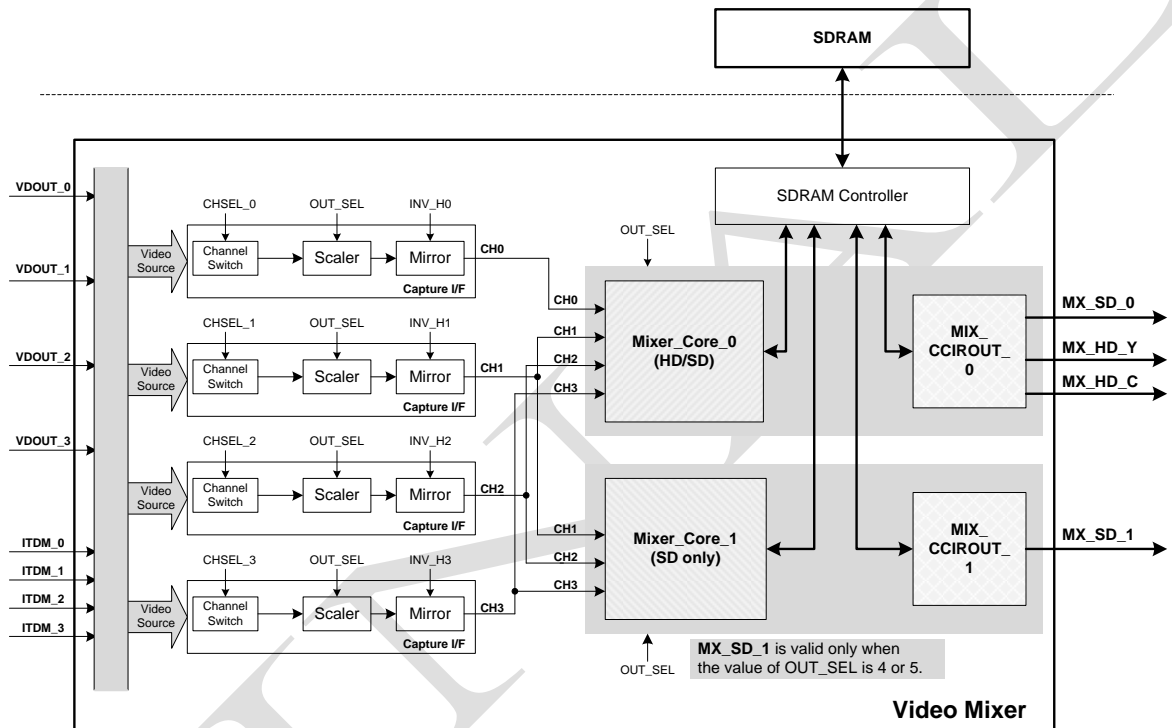
Write/Read Address							
Slave Address						R/W	
1	1	0	0	0	SADD[1]	SADD[0]	0: Write; 1: Read

The external Pull-up/Pull-down resistors connected to the pins “DQ0” and “DQ1” indicate the device address SADD[1] and SADD[0]. When pull-up resistor is connected to DQ0 or DQ1, it indicates SADD[1] or SADD[0] with a high value. Otherwise when pull-down resistor is connected to DQ0 or DQ1, it indicates SADD[1] or SADD[0] with a low value.

	Write Address	Read Address
SADD[1:0]=2'h0	C0	C1
SADD[1:0]=2'h1	C2	C3
SADD[1:0]=2'h2	C4	C5
SADD[1:0]=2'h3	C6	C7

## Video Mixer

The video mixer in the DM5885 is composed of four capture interfaces, two mixer cores, one SDRAM controller and two mix-out interfaces (**MIX\_CCIROUT\_X**) as shown below. The **MIX\_CCIROUT\_0** is the main output interface, while an auxiliary path (through **MIX\_CCIROUT\_1**) is available for SD mode when **OUTSEL** is configured as 4 or 5.

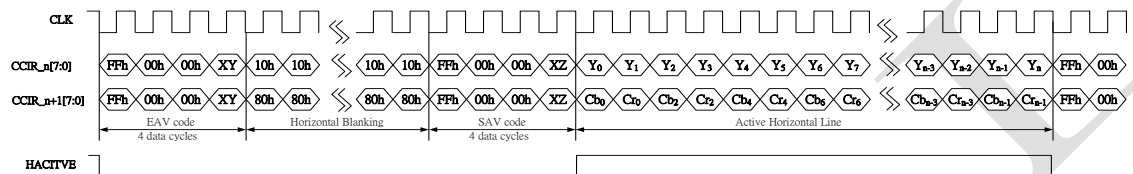


**Block Diagram of Video Mixer**

## Output format

In addition to 27MHz BT.656 with 720x480/720x576 resolution, the DM5885 mixer can support 74.25MHz SMPTE 274M 1920x1080 interface.

SMPTE 274M contains 16-bit data bus and 1-bit clock bus. Thus two output ports are used for one HD format. Here luminance and chrominance data are transmitted through different ports. The output timing diagram is shown below.

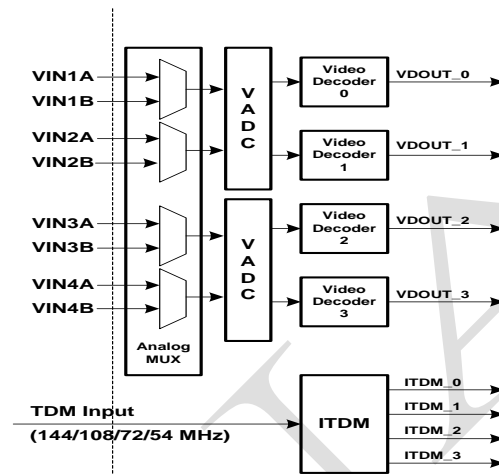


For 1920x1080 HD video outputs, the active horizontal line contains 1920 cycles. The definition of SAV and EAV code sequences is the same as that in 720H video outputs.

## Video Mixer Block

### Video Source

The video mixer accepts eight input sources (**VDOUT\_0 ~ VDOUT\_3**, **ITDM\_0 ~ ITDM\_3**). The input source **VDOUT\_X**, digital version of the input CVBS, comes from the internal video decoder. As shown in the figure, users are flexible to select any one from the input CVBS pair for **VDOUT\_X** by programming the control registers (**SW\_sel\_1**, **SW\_sel\_2**) of the analog MUX. The **ITDM\_X** is the decoded TDM input for a specific Channel ID.



**Video Source of Video Mixer**

### Channel Switch Block

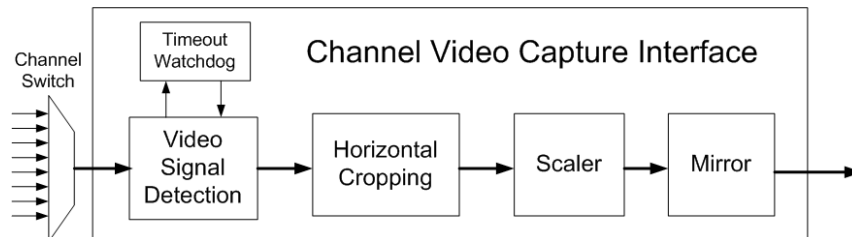
There are four capture interfaces in the video mixer. Within each capture interface, a channel switch is used to select the desired video source. This selection is fully programmable by registers **CHSEL\_0**, **CHSEL\_1**, **CHSEL\_2** and **CHSEL\_3**, allowing any one of the eight mixer inputs to be selected. The following table determines the mapping between **CHSEL\_X** and the selected video.

<b>CHSEL_X</b>	<b>0</b>	<b>1</b>	<b>2</b>	<b>3</b>	<b>4</b>	<b>5</b>	<b>6</b>	<b>7</b>
<b>Selected Video</b>	VDOUT_0	VDOUT_1	VDOUT_2	VDOUT_3	ITDM_0	ITDM_1	ITDM_2	ITDM_3



## Capture interface

The following figure is the block diagram of channel video capture interface. The video source is selected by the channel switch for the specific channel. Video signal detection detects valid signal and format. It is then horizontally cropped, scaled, and horizontally mirrored if necessary. The detailed functions of these modules are described in the following sections.



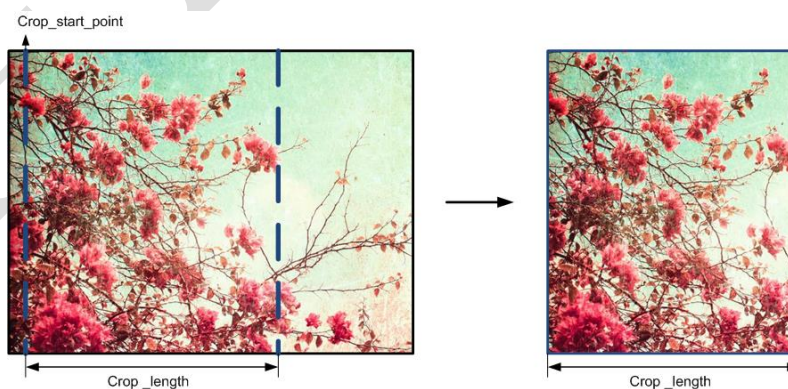
### Video Signal Detection

Video signal detection module detects if valid video signal exists. A timeout watchdog module monitors the time used by the detection module. If valid signal is detected within the pre-set time limit, the flag 'NOVID\_x' is set to 0. Otherwise, it is set to '1'.

The module also detects the format of the channel signal. 'H720\_DET\_x' is 1 when 720H video source is detected. 'L625\_DET\_x' is 1 when PAL video source is detected. 'L525\_DET\_x' is 1 when NTSC video source is detected.

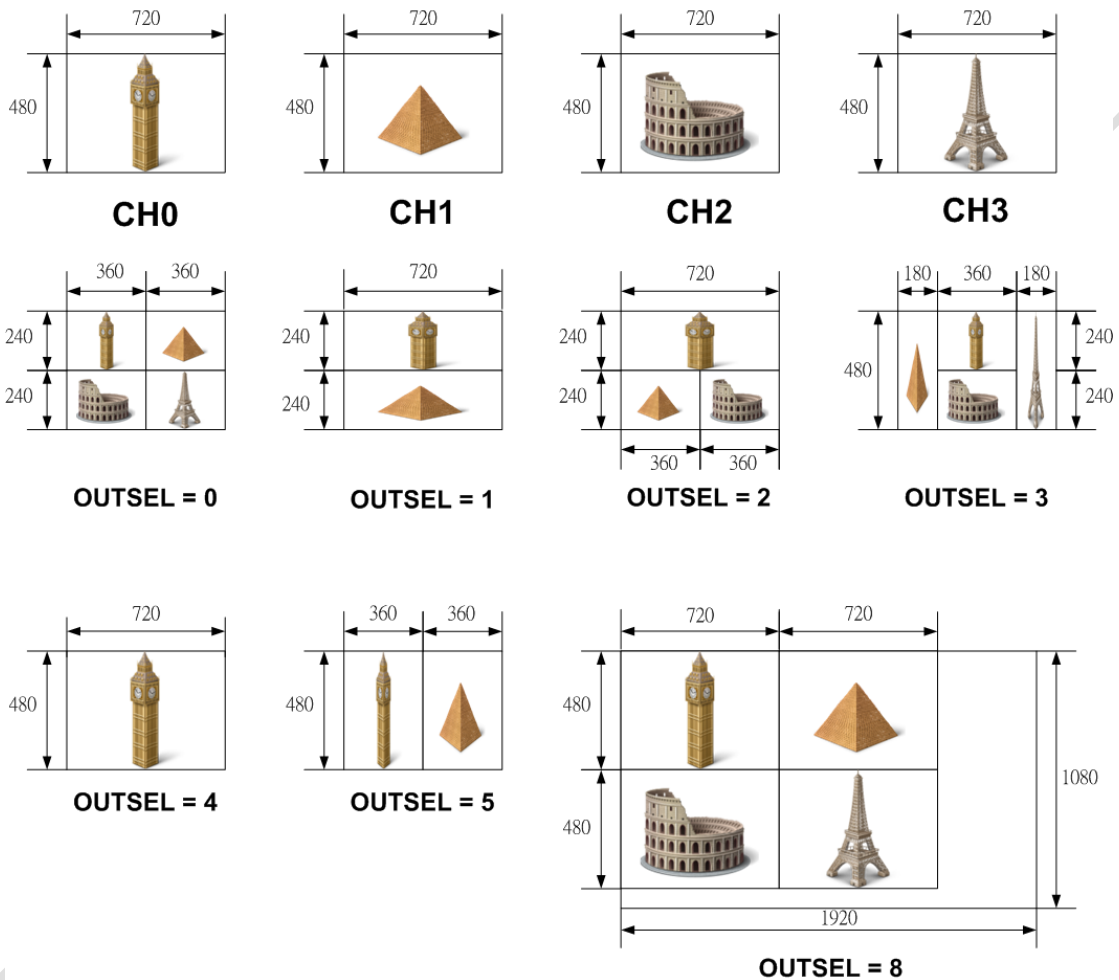
### Horizontal Cropping

The input video source can be cropped horizontally for output. It is illustrated in the following figure. 'Crop\_start\_point', which indicates the position to start cropping, is set in the registers 0xC3 to 0xC6. 'Crop\_start\_point' can be specified for each channel. 'Crop\_length', which indicates the length for cropping, is set in the registers 0xA4 and 0xA5. The same value is used for all channels. If 1/4 horizontal scaling is performed in any channel, it should be set to a multiple of 4. Otherwise, if 1/2 horizontal scaling is performed in any channel; it should be set to a multiple of 2.



**Scaler**

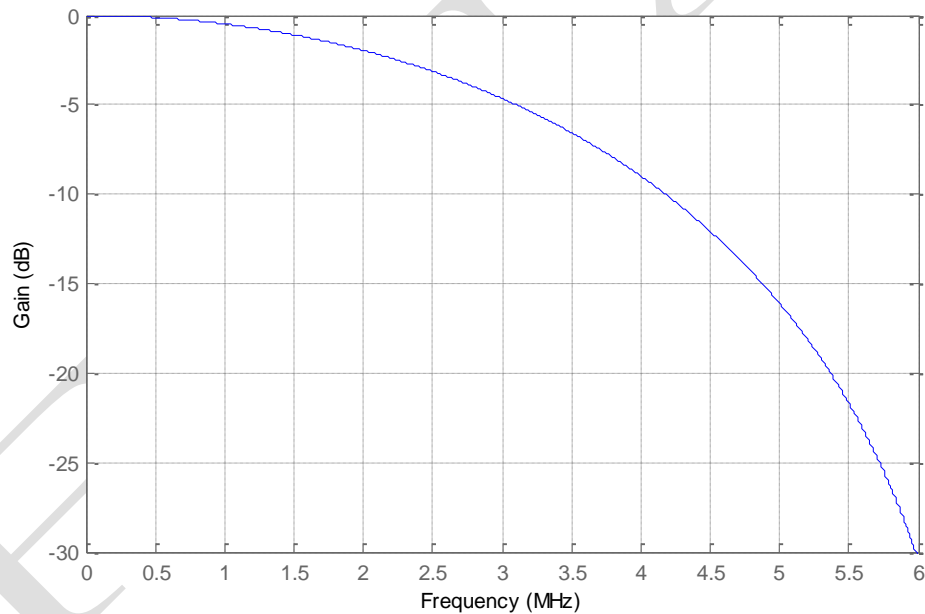
DM5885 supports several kinds of partition modes. It can be configured with the register 'OUT\_SEL' (0xA0). According to the mode selection, the output of each channel should be scaled to be combined to a new frame for output. The following figure shows the settings of 'OUT\_SEL' and the corresponding output formats. Here 720H NTSC video source is used as an example.



The following table shows the scaling ratios at the horizontal direction and the vertical direction with different 'OUT\_SEL' settings.

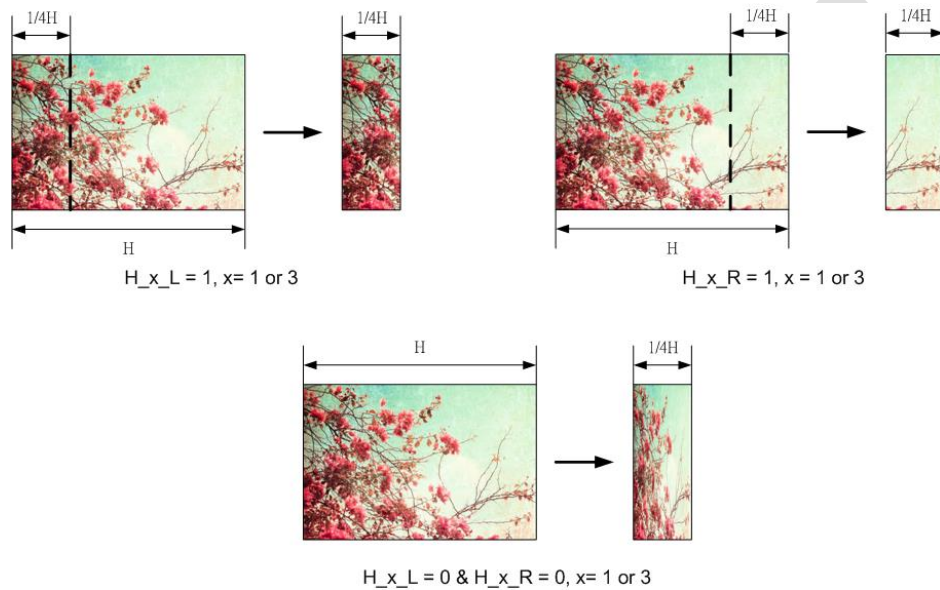
		OUT_SEL						
		0	1	2	3	4	5	8
CH0	H	1/2	1	1	1/2	1	1/2	1
	V	1/2	1/2	1/2	1/2	1	1	1
CH1	H	1/2	1	1/2	1/4	-	1/2	1
	V	1/2	1/2	1/2	1	-	1	1
CH2	H	1/2	-	1/2	1/2	-	-	1
	V	1/2	-	1/2	1/2	-	-	1
CH3	H	1/2	-	-	1/4	-	-	1
	V	1/2	-	-	1	-	-	1

When horizontal scaling is performed, decimation filter is applied on input samples. The filtered samples are then decimated according to the scaling ratio. The following figure shows the frequency response of the decimation filter at the horizontal scaling process.

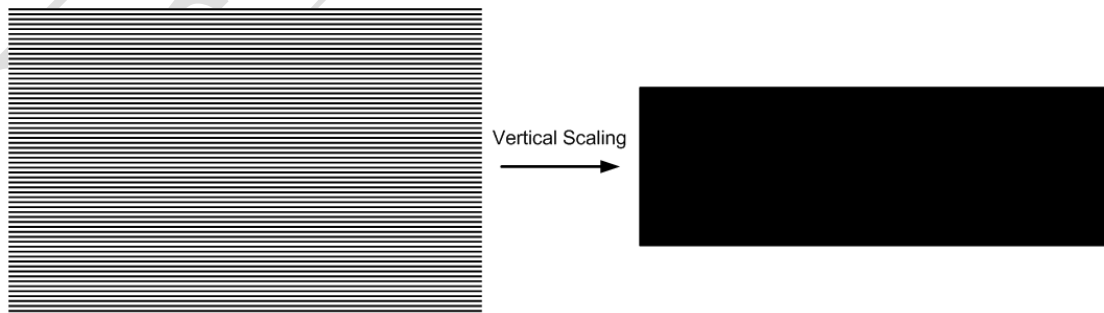


When the display width is a quarter of the original width, in addition to 1/4 down scaling at the horizontal direction, 1/4 input frame cropping can be chose. The most significant four bits of the register 'Mirror Config' (0xBD) are used to indicate the input frame cropping. When 'H\_x\_L' is set to 1, the left quarter of channel x is cut for display. When 'H\_x\_R' is set to 1, the right quarter of channel x is cut for display. When 'H\_x\_L' and 'H\_x\_R' are both set to 0, 1/4 down scaling is performed. The following figure illustrates the settings of 'H\_x\_L' and 'H\_x\_R'.

Please note that 1/4 input frame cropping can only be supported at SD mode and 'OUT\_SEL' is set to 3.

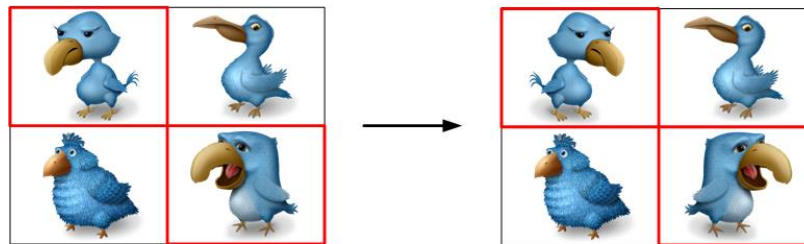


Vertical scaling uses simple line dropping algorithm. No averaging operation is performed. The following figure illustrates the process. Top field is used for output.

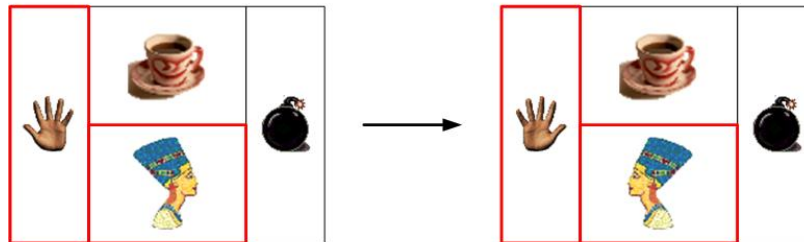


**Mirror**

When horizontal mirroring is performed, the samples at each line are left-right flipped. Please note that horizontal mirroring is only supported at SD mode. Each output channel can be assigned to be mirrored or not. The last four bits of the register 'Mirror Config' (0xBD) are used to indicate the mirrored output channels. When 'INV\_Hx' is set to 1, the output picture of channel x is mirrored at the horizontal direction. The following figure illustrates the result of horizontal mirroring.



**OUTSEL = 0, INV\_H0 = 1, INV\_H1 = 0, INV\_H2 = 0, INV\_H3 = 1**



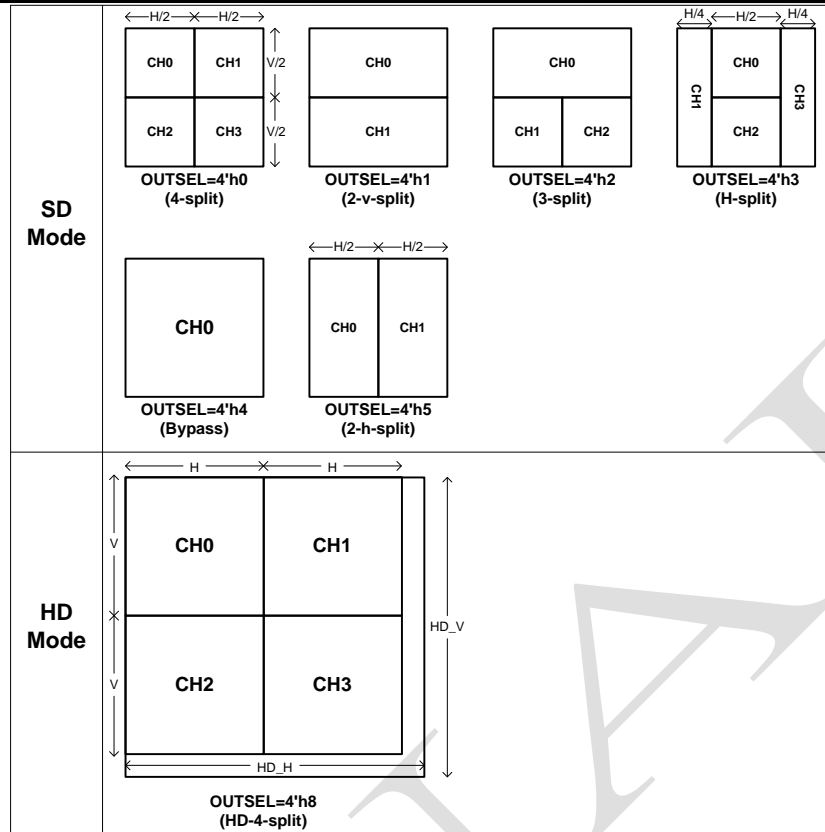
**OUTSEL = 3, INV\_H0 = 0, INV\_H1 = 1, INV\_H2 = 1, INV\_H3 = 0**

## Mixer Core

There are two mixer cores mixing up to four video data (**CH0**, **CH1**, **CH2** and **CH3**) coming from the capture interface. The mixed video is then stored into the SDRAM. The **Mixer\_Core\_0** is a full-function mixer supporting both HD and SD resolution. **Mixer\_Core\_1** is a secondary mixer which is only valid for SD mode when **OUTSEL** is programmed as 4 or 5. The mixing process is determined by the value of the register **OUTSEL** as shown in the following figure.

## Mix-Out Interface

The mix-out interface retrieves mixed video from the SDRAM. The mixed video then goes to the chip-level output unit to form a variety of output combinations. Users are flexible to specify the output format as progressive or interlaced. The **MIX\_CCIROUT\_0** is the main mixer output unit supporting both SD and HD resolution. For SD mode, **MX\_SD\_0** is output. In case of HD mode, **MX\_HD\_Y** is output for luminance and **MX\_HD\_C** is output for chrominance. Another mixed video **MX\_SD\_1** from **MIX\_CCIROUT\_1** is available if **OUTSEL** is configured as 4 or 5. **MX\_SD\_1** is always of SD resolution. The combined usage of **MIX\_CCIROUT\_0** and **MIX\_CCIROUT\_1** is shown in the following figure.



OUT\_SEL=0-5 : SD mode (H=720, V=480 or 576)  
 OUT\_SEL=8 : HD mode (HD\_H=1920, HD\_V=1080 or 1152)  
 Other values : prohibited

**Value of OUTSEL and the Corresponding Partition Type**

	MX_SD_0	MX_SD_1
OUTSEL=4'h4		
OUTSEL=4'h5		

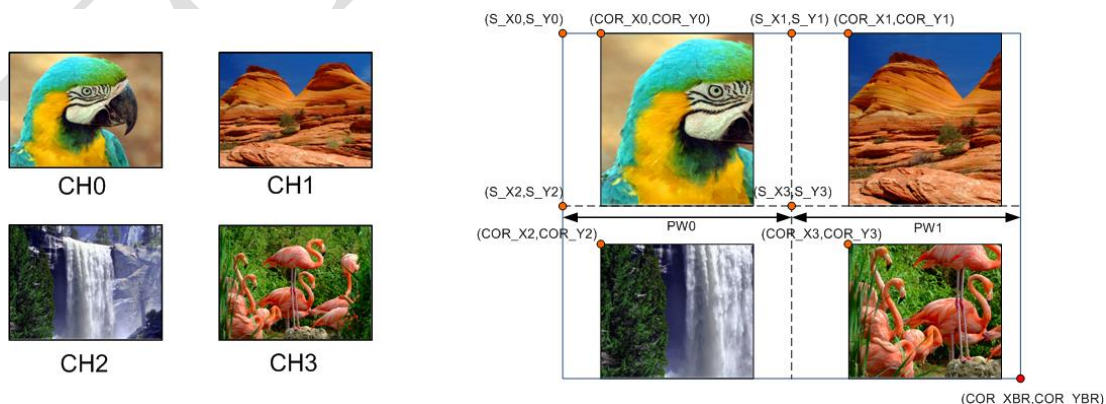
**The Combined Usage of the two Mixer Outputs  
 (Only Valid When OUTSEL=4 or OUTSEL=4)**

**Video Rendering**

The output frame is divided into several partitions according to 'OUT\_SEL'. The following table shows the coordinates of left-top point and right-bottom point of the partitions with different values of 'OUT\_SEL'. The input video width is denoted as W and the input video height is denoted as H.

	<table border="1"><tr><td>0</td><td>1</td></tr><tr><td>2</td><td>3</td></tr></table>	0	1	2	3	<table border="1"><tr><td>0</td></tr><tr><td>1</td></tr></table>	0	1	<table border="1"><tr><td>0</td></tr><tr><td>1</td><td>2</td></tr></table>	0	1	2	<table border="1"><tr><td>1</td><td>0</td><td>3</td></tr><tr><td></td><td>2</td><td></td></tr></table>	1	0	3		2		<table border="1"><tr><td>0</td></tr></table>	0	<table border="1"><tr><td>0</td><td>1</td></tr></table>	0	1	<table border="1"><tr><td>0</td><td>1</td></tr><tr><td>2</td><td>3</td></tr></table>	0	1	2	3
0	1																												
2	3																												
0																													
1																													
0																													
1	2																												
1	0	3																											
	2																												
0																													
0	1																												
0	1																												
2	3																												
	OUT_SEL = 0	OUT_SEL = 1	OUT_SEL = 2	OUT_SEL = 3	OUT_SEL = 4	OUT_SEL = 5	OUT_SEL = 8																						
Partition 0	(0,0)	(0,0)	(0,0)	(W/4,0)	(0,0)	(0,0)	(0,0)																						
	(W/2,H/2)	(W,H/2)	(W,H/2)	(3W/4,H/2)	(W,H)	(W/2,H)	(W,H)																						
Partition 1	(W/2,0)	(0,H/2)	(0,H/2)	(0,0)	-	(W/2,0)	(W,0)																						
	(W,H/2)	(W,H)	(W/2,H)	(W/4,H)	-	(W,H)	(2W,H)																						
Partition 2	(0,H/2)	-	(W/2,H/2)	(W/4,H/2)	-	-	(0,H)																						
	(W/2,H)	-	(W,H)	(3W/4,H)	-	-	(W,2H)																						
Partition 3	(W/2,H/2)	-	-	(3W/4,0)	-	-	(W,H)																						
	(W,H)	-	-	(W,H)	-	-	(2W,2H)																						

The output of each channel will be rendered within the active region of the corresponding partition. The active region in each partition can be specified by defining its top-left coordinate (COR\_Xn, COR\_Yn). The length of the active region is the crop length multiplied by the scaling ratio. The vertical coordinate of the right-bottom point of the active region is the same as that of the corresponding partition. Channel output is horizontally shifted if the horizontal coordinate of the top-left point of the active region is different from that of the corresponding partition. However, if the vertical coordinate of the top-left point of the active region is different from that of the corresponding partition, pixel lines outside the active region are discarded. The following figure illustrated the relationship between partitions and active regions.



Several rules should be followed when specifying the coordinate (COR\_Xn, COR\_Yn).



1. The active region should not be outside the corresponding partition. If we define the coordinate of the left-top point of the partition to be (S\_Xn,S\_Yn) and the partition width to be PWn, the following condition should be satisfied:

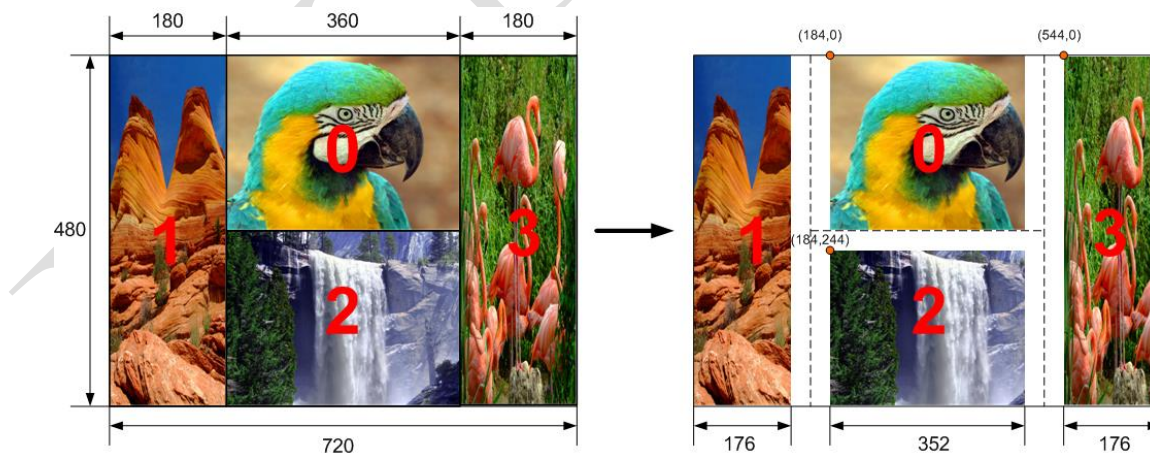
$$\text{COR\_Xn} + \text{Crop\_length} * \text{H\_scaling\_ratio} \leq \text{S\_Xn} + \text{PWn}$$

2. The settings of COR\_Xn of the partitions, which have the same S\_Xn, should also be the same.
3. If S\_Yn is 0, COR\_Yn should also be 0.
4. The settings of COR\_Yn of partitions, which have the same S\_Yn, should also be the same.

COR\_XBR and COR\_YBR specify the active region of the whole frame. It is recommended that it is set to the right-bottom point of the whole frame.

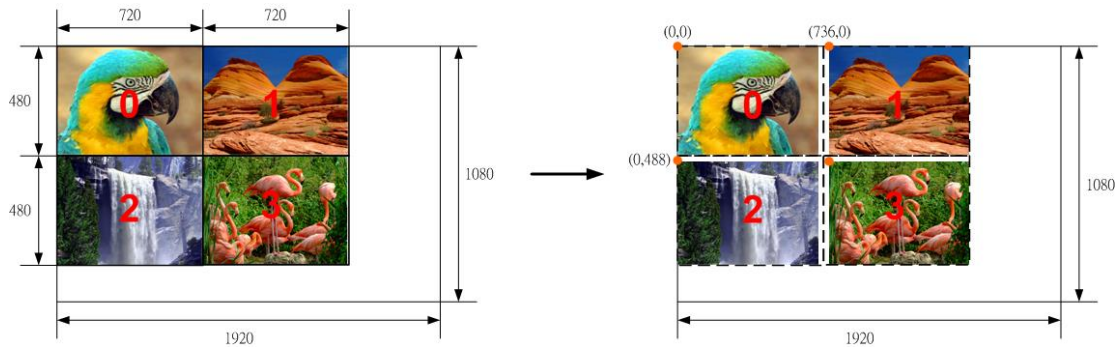
When the active region is smaller than the corresponding partition, the spacing in the region is regarded as split line. The color of the split line spacing can be assigned by the registers: 'Split\_line\_Y', 'Split\_line\_CB', and 'Split\_line\_CR' (0xD6 to 0xD8). The default color is white.

The following figure illustrates an example. The size of input and output video is 720x480 and 'OUT\_SEL' is set to 3. The crop length is set to 704 and it creates horizontal split lines. COR\_X0 and COR\_X2 are set to 184 for center alignment. COR\_X3 is set to 544 for right alignment. COR\_Y2 is set to 244 to create a vertical split line with spacing of 4 pixels.

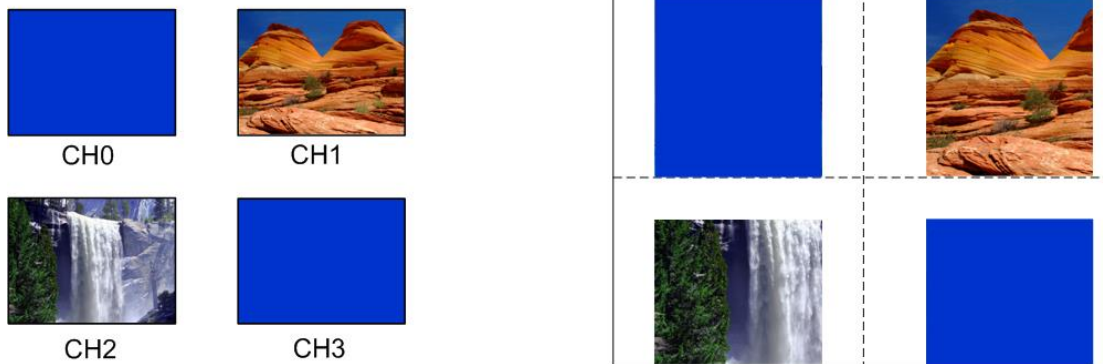


The following figure illustrates another example. The size of input and output video is 720x480 and 'OUT\_SEL' is set to 8 (HD mode). The crop length is set to 704 and it creates horizontal split lines. COR\_X1 and COR\_X3 are set to 736 for center alignment.

COR\_Y2 and COR\_Y3 are set to 488 to create a vertical split line with spacing of 8 pixels.



If the input channel is not valid, the corresponding output video will be displayed as blue panel. The following figure shows this condition. The display color of invalid video can also be designed with three registers: 'Blue\_panel\_Y', 'Blue\_panel\_CB', and 'Blue\_panel\_CR' (0xD3 to 0xD5). The default color is blue.

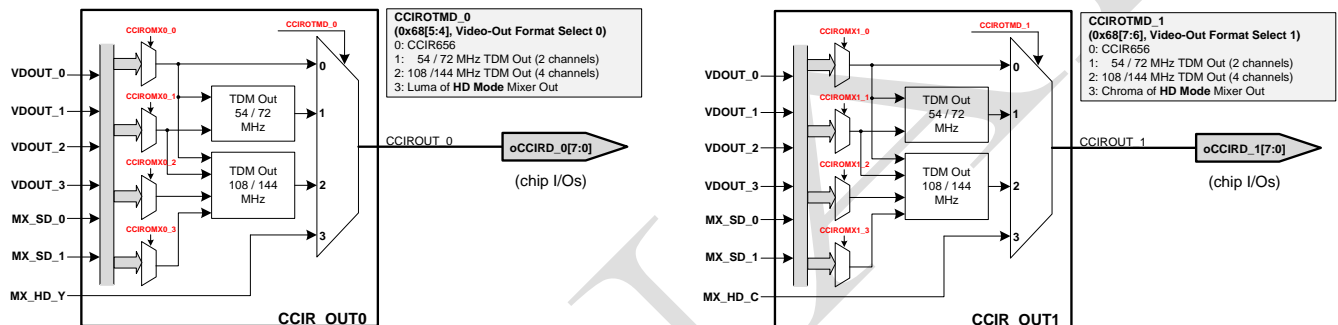


Please note that the above settings about video rendering are the same whether the output format is progressive.

## Chip-Level Output Unit

Three video output ports are available at chip level. The following figure depicts the data path of output ports.

The output ports are flexible in use. It can be programmed to output various output combinations. As shown in the figure, the register **CCIR0MXm\_n** is used to select up to 4 output videos from 6 possible sources. By programming register **CCIROTMD\_X**, user can specify whether single channel (CCIR656/BT.1302), 2-channel TDM (@54 MHz), 4-channel TDM (@108 MHz) or HD video is to be output. When HD video is selected, luminance component is output through **oCCIRD\_0** while chrominance component is output through **oCCIRD\_1**.



CCIR0MXm_n [2:0]	MUX Output
0	VDOUT_0
1	VDOUT_1
2	VDOUT_2
3	VDOUT_3
4	MX_SD_0
5	MX_SD_1

**Video-Out Source Select**  
(0x71 ~ 0x74, 0x9E ~ 0x9F)

- <Note>**  
 (1) VDOUT\_0 - VDOUT\_3 are from Video Decoder 0 - Video Decoder 3 respectively.  
 MX\_SD\_0, MX\_SD\_1, MX\_HD\_C and MX\_HD\_C are from the video mixer.  
 (2) MX\_HD\_Y and MX\_HD\_C are valid only when (OUT\_SEL=4'd8).

### Data Path of Chip-Level Video Output Unit

## Internal Control Registers

### System Control

**Address= 8'h64**

System Control Page							
7-bit	6-bit	5-bit	4-bit	3-bit	2-bit	1-bit	0-bit
0	0	0	0	0	0	0	1
				PAGE_3	PAGE_2	PAGE_1	PAGE_0

**PAGE\_0:** VD space 0, to access VD\_0 register please program this bit to 1.

**PAGE\_1:** VD space 1, to access VD\_1 register please program this bit to 1.

**PAGE\_2:** VD space 2, to access VD\_2 register please program this bit to 1.

**PAGE\_3:** VD space 3, to access VD\_3 register please program this bit to 1.

In case of register read, only one of the four bits can be set to 1.

**Address= 8'h65**

System Reset							
7-bit	6-bit	5-bit	4-bit	3-bit	2-bit	1-bit	0-bit
0	0	0	0	0	0	0	0
						RSTZ	TRSTZ

**TRSTZ:** When 1, reset whole chip except SW PLL, GPIO and Device ID setting. (WO)

**RSTZ:** When 1, reset all video decoders, mixer, TDM and audio interface. It also resets video decoder configurations.

**Address= 8'h66**

Global INT Mask							
7-bit	6-bit	5-bit	4-bit	3-bit	2-bit	1-bit	0-bit
0	0	0	0	0	0	0	0
				VDMAS K_3	VDMAS K_2	VDMAS K_1	VDMAS K_0

**VDMASK\_0:** Enable INT from VD\_0.

**VDMASK\_1:** Enable INT from VD\_1.

**VDMASK\_2:** Enable INT from VD\_2.

**VDMASK\_3:** Enable INT from VD\_3.

**Address= 8'h67**

Global INT Status							
7-bit	6-bit	5-bit	4-bit	3-bit	2-bit	1-bit	0-bit
0	0	0	0	0	0	0	0
				VDINT_3	VDINT_2	VDINT_1	VDINT_0

**VDINT\_0:** VD\_0 INT status. (RO)

**VDINT\_1:** VD\_1 INT status. (RO)

**VDINT\_2:** VD\_2 INT status. (RO)

**VDINT\_3:** VD\_3 INT status. (RO)

Address= 8'h68

CCIR656 IO Control							
7-bit	6-bit	5-bit	4-bit	3-bit	2-bit	1-bit	0-bit
2'h0		2'h0		0	0	0	0
CCIROTMD_1		CCIROTMD_0		CCIROE_3	CCIROE_2	CCIROE_1	CCIROE_0

**CCIROE\_0:** Chip CCIR656\_0 related 9 pins output enable.  
When 1, output mode. When 0, input mode.

**CCIROE\_1:** Chip CCIR656\_1 related 9 pins output enable.  
When 1, output mode. When 0, input mode.

**CCIROE\_2:** Chip CCIR656\_2 related 9 pins output enable.  
When 1, output mode. When 0, input mode.

**CCIROE\_3:** Chip CCIR656\_3 related 9 pins output enable.  
When 1, output mode. When 0, input mode.

**CCIROTMD\_0:** Chip CCUROUT\_0 output Mode type.

2'h0: CCIR656 output mode.

2'h1: 54Mhz TDM mode with D1 resolution for each channel.

2'h2: 108Mhz TDM mode with D1 resolution for each channel.

2'h3: HD Mixer mode with **Y** data bus.

**CCIROTMD\_1:** Chip CCUROUT\_1 output Mode type.

2'h0: CCIR656 output mode.

2'h1: 54Mhz TDM mode with D1 resolution for each channel.

2'h2: 108Mhz TDM mode with D1 resolution for each channel.

2'h3: HD Mixer mode with **C** data bus.

**Address= 8'h69**

PIXCLK Polarity							
7-bit	6-bit	5-bit	4-bit	3-bit	2-bit	1-bit	0-bit
0	0	0	0	0	0	0	0
OPIXCLK3_INV	OPIXCLK2_INV	OPIXCLK1_INV	OPIXCLK0_INV	OPIXCLK4_INV		IPIXCLK_INV	IPIXCLK_OE

**IPIXCLK\_OE:** The polarity of pin No.54.

When 1: pin No.54 is output pin and drives VD\_INT signals to pin.

When 0: pin No.54 is input pin and receives iTDM pixclk.

**IPIXCLK\_INV:** When 1, inverse iTDM pixclk to internal logic.

**OPIXCLK4\_INV:** When 1, inverse output pixclk of CCIROUT\_4.

**OPIXCLK0\_INV:** When 1, inverse output pixclk of CCIROUT\_0.

**OPIXCLK1\_INV:** When 1, inverse output pixclk of CCIROUT\_1.

**OPIXCLK2\_INV:** When 1, inverse output pixclk of CCIROUT\_2.

**OPIXCLK3\_INV:** When 1, inverse output pixclk of CCIROUT\_3.

**Address= 8'h6A**

IC Mode Control							
7-bit	6-bit	5-bit	4-bit	3-bit	2-bit	1-bit	0-bit
0	0	0	0	2'h2		2'h0	
				PINCFG		CLKADCOPT	

**CLKADCOPT:** The VADC\_1 input clock selection. (108MHz)

2'h0: The default value, sources from PLL1.

2'h1: Clock sources from PLL2.

2'h2: Clock source from chip pin NO.126.

**PINCFG:** IC pin mode option.

Set 2'h0 for Video decoder x4 without Mixer.

Set 2'h1 for Video decoder x4 with Mixer.

Set 2'h3 for Video decoder x4 with Mixer. (Alternative pin assignment)

**Address= 8'h6B**

Output Pixclk Delay Configuration							
7-bit	6-bit	5-bit	4-bit	3-bit	2-bit	1-bit	0-bit
0	3'h0			0	3'h0		
DLYMUX_PIXCLK1				DLYMUX_PIXCLK0			

**DLYMUX\_PIXCLK0:** Programmable pixclk delay of CCIROUT\_0.

(3'h0: zero delay → 3'h7: max delay, add 0.6ns at every step)

**DLYMUX\_PIXCLK1:** Programmable pixclk delay of CCIROUT\_1.

(3'h0: zero delay → 3'h7: max delay, add 0.6ns at every step)



**Address= 8'h6C**

VD Power Down							
7-bit	6-bit	5-bit	4-bit	3-bit	2-bit	1-bit	0-bit
0	0	0	0	0	0	0	0
				VDPWD N_3	VDPWD N_2	VDPWD N_1	VDPWD N_0

**VDPWDN\_0:** When 1, VD 0 into power down mode.

**VDPWDN\_1:** When 1, VD 1 into power down mode.

**VDPWDN\_2:** When 1, VD 2 into power down mode.

**VDPWDN\_3:** When 1, VD 3 into power down mode.

**Address= 8'h6D**

VD Power On Rstz							
7-bit	6-bit	5-bit	4-bit	3-bit	2-bit	1-bit	0-bit
0	0	0	0	0	0	0	0
			VMPRS T	VDPRST 3	VDPRST 2	VDPRST 1	VDPRST 0

**VDPRST0:** Write 1, reset VD 0.

**VDPRST1:** Write 1, reset VD 1.

**VDPRST2:** Write 1, reset VD 2.

**VDPRST3:** Write 1, reset VD 3.

**VMPRST0:** Write 1, reset Mixer.

Address= 8'h6E

IP Test Mode							
7-bit	6-bit	5-bit	4-bit	3-bit	2-bit	1-bit	0-bit
0	0	0	0	0	0	0	0
VADCSEL			SW_VA DCBYP EN	SW_VA DCTSTE N	SW_PLL BYPEN	SW_PLL TSTEN	SW_MBI SPATEN

**SW\_MBISTPATEN:** When 1, drive MBIST detail signal to chip IO pins.

**SW\_PLLTSTEN:** When 1, drive PLL out clocks to chip IO pins.

**SW\_PLLBYPEN:** When 1, bypass internal PLL out source.

**SW\_VADCTSTEN:** When 1, drive VADCSEL indicated ADC outputs to chip IO pins.

**SW\_VADCBYPEN:** When 1, bypass VADCBYPOPT indicated ADC with chip input ADC signals.

**VADC\_SEL:** valid for SW\_VADCTSTEN

3'h0: VADC\_doutA=VADC\_dout1, VADC\_doutB=VADC\_dout2

3'h1: VADC\_doutA=VADC\_dout3, VADC\_doutB=VADC\_dout4

3'h2: VADC\_doutA= VADCMX0\_0 =>[VADC\_dout1/VADC\_dout2] mux

VADC\_doutA= VADCMX0\_1 =>[VADC\_dout3/VADC\_dout4] mux

3'h3: will drive VADC\_0 analog IP Do [15:1], selected signal to [VADC\_doutA, VADC\_doutB]

3'h4: will drive VADC\_1 analog IP Do [15:1], selected signal to [VADC\_doutA, VADC\_doutB]

**Address= 8'h6F**

MBIST Status							
7-bit	6-bit	5-bit	4-bit	3-bit	2-bit	1-bit	0-bit
0	0	0	0	0	0	0	0
BISTGO	MBDONE		MBERR_4	MBERR_3	MBERR_2	MBERR_1	MBERR_0

**MBERR\_0:** When 1, memory of group 0 has error, Set by HW, write 1 to clear.

**MBERR\_1:** When 1, memory of group 1 has error, Set by HW, write 1 to clear.

**MBERR\_2:** When 1, memory of group 2 has error, Set by HW, write 1 to clear.

**MBERR\_3:** When 1, memory of group 3 has error, Set by HW, write 1 to clear.

**MBERR\_4:** When 1, memory of group 4 has error, Set by HW, write 1 to clear.

**MBDONE:** MBIST has finished self-test, Set by HW, write 1 to clear.

**BISTGO:** Write 1 to start MBIST logic. HW auto clear this bit after MBIST done.

**Address= 8'h70**

ITDM Control							
7-bit	6-bit	5-bit	4-bit	3-bit	2-bit	1-bit	0-bit
0	0	0	0	0	0	0	0
		CCIRITMD					CCIRINEN

**CCIRINEN:** When 1, enable ITDM function.

**CCIRITMD:** Video source from iTDM mode selected.

2'b00: CCIR656 .

2'b01: 54 TDM digital signal.

2'b1x: 108 TDM digital signal.

Address= 8'h71

CCIROUT_0 Otdm Configuration 1							
7-bit	6-bit	5-bit	4-bit	3-bit	2-bit	1-bit	0-bit
0	3'h1			0	3'h0		
	CCIROMX0_1				CCIROMX0_0		

**CCIROMX0\_0:** The mux of CCIROUT\_0's channel 0 at OTDM mode.

**CCIROMX0\_1:** The mux of CCIROUT\_0's channel 1 at OTDM mode.

Address= 8'h72

CCIROUT_0 Otdm Configuration 2							
7-bit	6-bit	5-bit	4-bit	3-bit	2-bit	1-bit	0-bit
0	3'h3			0	3'h2		
	CCIROMX0_3				CCIROMX0_2		

**CCIROMX0\_2:** The mux of CCIROUT\_0's channel 2 at OTDM mode.

**CCIROMX0\_3:** The mux of CCIROUT\_0's channel 3 at OTDM mode.

Address= 8'h73

CCIROUT_1 Otdm Configuration 1							
7-bit	6-bit	5-bit	4-bit	3-bit	2-bit	1-bit	0-bit
0	3'h1			0	3'h0		
	CCIROMX1_1				CCIROMX1_0		

**CCIROMX1\_0:** The mux of CCIROUT\_1's channel 0 at OTDM mode.

**CCIROMX1\_1:** The mux of CCIROUT\_1's channel 1 at OTDM mode.

**Address= 8'h74**

CCIROUT_1 Otdm Configuration 2							
7-bit	6-bit	5-bit	4-bit	3-bit	2-bit	1-bit	0-bit
0	3'h3			0	3'h2		
	CCIROMX1_3				CCIROMX1_2		

**CCIROMX1\_2:** The mux of CCIROUT\_1's channel 2 at OTDM mode.

**CCIROMX1\_3:** The mux of CCIROUT\_1's channel 3 at OTDM mode.

**Address= 8'h75**

IO/Clock Configuration							
7-bit	6-bit	5-bit	4-bit	3-bit	2-bit	1-bit	0-bit
0	0	0	0	0	0	0	0
		VMCLKSEL			ACLKP OE		IRQOE

**IRQOE:** If using DQ14 as IRQ, set this bit as '1'

Otherwise, this bit is "don't care"

**ACLKPOE:** Set as '1' when I2S playback is to be enabled.

**VMCLKSEL:** Clock selection for video mixer.

2'h0: Mixer clock sources from internal PLL (PLL1). (Normal operation)

2'h1: Mixer clock sources from PLL1 with frequency divided by 2.

2'h2: Mixer clock sources from external pin No.126.

2'h3: Mixer clock sources from external pin No.126 with frequency divided by 2.

**Address= 8'h77**

CHIP Status							
7-bit	6-bit	5-bit	4-bit	3-bit	2-bit	1-bit	0-bit
0	0	0	0	0	0	0	0
							PWRON

**PWRON:** Power On status. (RO)

**Address= 8'h78**

I2C Master Configuration							
7-bit	6-bit	5-bit	4-bit	3-bit	2-bit	1-bit	0-bit
<b>8'hB8</b>							
<b>CH device address</b>							

**CH0~CH3:** i2c slave device address. (R/W)

-DM5885 device address will be {4'hC,4'h0}

-I2CMaster\_0: device address will be {4'hC,4'h2}

-I2CMaster\_1: device address will be {4'hC,4'h4}

-I2CMaster\_2: device address will be {4'hC,4'h6}

-I2CMaster\_3: device address will be {4'hC,4'h8}

-For broadcast I2CMaster\_CH0~I2CMaster\_CH3, device address {4'HC,4'HE}

**Address= 8'h79**

I2CM status							
7-bit	6-bit	5-bit	4-bit	3-bit	2-bit	1-bit	0-bit
0	0	2'h0		0	0	0	0
	MI2CRD CMD	MI2CSEL		CHNAC K3	CHNAC K2	CHNAC K1	CHNAC K0

**CHNACK0:** CH0 I2C fail (RO, WC) .

**CHNACK1:** CH1 I2C fail (RO, WC) .

**CHNACK2:** CH2 I2C fail (RO, WC) .

**CHNACK3:** CH3 I2C fail (RO, WC) .

**MI2CSEL:** The device address is 0xCA and select which channel will be set.

-I2CMaster\_CH0: device address will be {4'hC 4'ha} &amp; {MI2CSEL=2'b00}.

-I2CMaster\_CH1: device address will be {4'hC 4'ha} &amp; {MI2CSEL=2'b01}.

-I2CMaster\_CH2: device address will be {4'hC 4'ha} &amp; {MI2CSEL=2'b10}.

-I2CMaster\_CH3: device address will be {4'hC 4'ha} &amp; {MI2CSEL=2'b11}.

**MI2CRDCMD:** When 1, the MI2C restart command enable.

**Address= 8'h7F**

SW FAST SWITCH							
7-bit	6-bit	5-bit	4-bit	3-bit	2-bit	1-bit	0-bit
0	0	0	0	0	0	0	0
			OFASTS W_OPT	OFASTS W_SEL3	OFASTS W_SEL2	OFASTS W_SEL1	OFASTS W_SEL0

**OFASTW\_SEL0:** valid when VD0 REG04[4]=1 and OFASTSW\_OPT=1

set 0, select VIN1A as VD0 CVBS source

set 1, select VIN1B as VD0 CVBS source

---

**OFASTW\_SEL1**: valid when VD1 REG04[4]=1 and OFASTSW\_OPT=1

set 0, select VIN2A as VD1 CVBS source

set 1, select VIN2B as VD1 CVBS source

**OFASTW\_SEL2**: valid when VD2 REG04[4]=1 and OFASTSW\_OPT=1

set 0, select VIN3A as VD2 CVBS source

set 1, select VIN3B as VD2 CVBS source

**OFASTW\_SEL3**: valid when VD3 REG04[4]=1 and OFASTSW\_OPT=1

set 0, select VIN4A as VD3 CVBS source

set 1, select VIN4B as VD3 CVBS source

**OFASTSW\_OPT**: valid when REG04[4]=1

Set 0, VD0-VD3 SW FASTSW control signal from OFASTSW\_SEL0-OFASTSW\_SEL3

Set 1, VD0-VD3 SW FASTSW control signal from input pin MPP0~MPP3



## Video ADC

Address= 8'h80

Video ADC 0 Configuration 1							
7-bit	6-bit	5-bit	4-bit	3-bit	2-bit	1-bit	0-bit
0	0	0	0	0	0	0	0
	SW_sel_2		SW_sel_1		SWGAIN_0	pd_v2	pd_v1

pd\_v1: Power down VIN1A & VIN1B, active high.

pd\_v2: Power down VIN2A & VIN2B, active high.

SWGAIN\_0: Software programs VADC 0's gain setting, active high. When low, the VADC 0' gain setting programmed by Hardware auto.

SW\_sel\_1: Software select active CVBS input. (0: VIN1A, 1: VIN1B)

SW\_sel\_2: Software select active CVBS input. (0: VIN2A, 1: VIN2B)

Address= 8'h81

Video ADC 0 Configuration 2							
7-bit	6-bit	5-bit	4-bit	3-bit	2-bit	1-bit	0-bit
4'hA				0	0	0	0
bias_vadc12				SvideoC_2B	SvideoC_2A	SvideoC_1B	SvideoC_1A

bias\_vadc12: VADC 0's bias setting.

SvideoC\_1A: Channel VIN1A chroma clamping. When 1, the analog clamping level is set to 50% for chroma signal processing.

SvideoC\_1B: Channel VIN1B chroma clamping. When 1, the analog clamping level is set to 50% for chroma signal processing.

SvideoC\_2A: Channel VIN2A chroma clamping. When 1, the analog clamping level is set to 50% for chroma signal processing.

SvideoC\_2B: Channel VIN2B chroma clamping. When 1, the analog clamping level is set to 50% for chroma signal processing.

**Address= 8'h82**

Video ADC 0 Configuration 3							
7-bit	6-bit	5-bit	4-bit	3-bit	2-bit	1-bit	0-bit
0	0	0	0	0	0	0	0
SW_gain1B				SW_gain1A			

**SW\_gain1A:** VIN1A's gain value, valid when REG80[2]=1.

**SW\_gain1B:** VIN1B's gain value, valid when REG80[2]=1.

Minimum gain is set by 4'h0. Maximum gain is set by 4'hf.

The characteristic is the same as REG83

**Address= 8'h83**

Video ADC 0 Configuration 4							
7-bit	6-bit	5-bit	4-bit	3-bit	2-bit	1-bit	0-bit
0	0	0	0	0	0	0	0
SW_gain2B				SW_gain2A			

**SW\_gain2A:** VIN2A's gain value, valid when REG80[2]=1.

**SW\_gain2B:** VIN2B's gain value, valid when REG80[2]=1.

**Address= 8'h84**

Video ADC 0 Configuration 5							
7-bit	6-bit	5-bit	4-bit	3-bit	2-bit	1-bit	0-bit
0	0	0	0	0	0	0	0
clmp1B				clmp1A			

**Clmp1A:** VIN1A's clamp value.

**Clmp1B:** VIN1B's clamp value.

The clamp can be used to adjust the sync tip value to the nominal value of 20.

**Address= 8'h85**

Video ADC 0 Configuration 6							
7-bit	6-bit	5-bit	4-bit	3-bit	2-bit	1-bit	0-bit
0	0	0	0	0	0	0	0
Clmp2B				clmp2A			

**Clmp2A:** VIN2A's clamp value.

**Clmp2B:** VIN2B's clamp value.

**Address= 8'h86**

Video ADC 1 Configuration 1							
7-bit	6-bit	5-bit	4-bit	3-bit	2-bit	1-bit	0-bit
0	0	0	0	0	0	0	0
	SW_sel_4		SW_sel_3		SWGAIN_1	pd_v4	pd_v3

**pd\_v3:** Power down VIN3A & VIN3B, active high.

**pd\_v4:** Power down VIN4A & VIN4B, active high.

**SWGAIN\_1:** Software programs VADC 1's gain setting, active high. When low, the VADC 1' gain setting programmed by Hardware auto.

**SW\_sel\_3:** Software select active CVBS input. (0: VIN3A, 1: VIN3B)

**SW\_sel\_4:** Software select active CVBS input. (0: VIN4A, 1: VIN4B)

**Address= 8'h87**

Video ADC 1 Configuration 2							
7-bit	6-bit	5-bit	4-bit	3-bit	2-bit	1-bit	0-bit
4'hA				0	0	0	0
bias_vadc34				SvideoC_4B	SvideoC_4A	SvideoC_3B	SvideoC_3A

**bias\_vadc34:** VADC 1's bias setting.

**SvideoC\_3A:** Channel VIN3A chroma clamping. When 1, the analog clamping level is set to 50% for chroma signal processing.

**SvideoC\_3B:** Channel VIN3B chroma clamping. When 1, the analog clamping level is set to 50% for chroma signal processing.

**SvideoC\_4A:** Channel VIN4A chroma clamping. When 1, the analog clamping level is set to 50% for chroma signal processing.

**SvideoC\_4B:** Channel VIN4B chroma clamping. When 1, the analog clamping level is set to 50% for chroma signal processing.

Address= 8'h88

Video ADC 1 Configuration 3							
7-bit	6-bit	5-bit	4-bit	3-bit	2-bit	1-bit	0-bit
0	0	0	0	0	0	0	0
SW_gain3B				SW_gain3A			

**SW\_gain3A:** VIN3A's gain value, valid when REG86[2]=1.

**SW\_gain3B:** VIN3B's gain value, valid when REG86[2]=1.

Address= 8'h89

Video ADC 1 Configuration 4							
7-bit	6-bit	5-bit	4-bit	3-bit	2-bit	1-bit	0-bit
0	0	0	0	0	0	0	0
SW_gain4B				SW_gain4A			

**SW\_gain4A:** VIN4A's gain value, valid when REG86[2]=1.

**SW\_gain4B:** VIN4B's gain value, valid when REG86[2]=1.

Address= 8'h8A

Video ADC 1 Configuration 5							
7-bit	6-bit	5-bit	4-bit	3-bit	2-bit	1-bit	0-bit
0	0	0	0	0	0	0	0
Clmp3B				Clmp3A			

**Clmp3A:** VIN3A's clamp value.

**Clmp3B:** VIN3B's clamp value.

**Address= 8'h8B**

Video ADC 1 Configuration 6							
7-bit	6-bit	5-bit	4-bit	3-bit	2-bit	1-bit	0-bit
0	0	0	0	0	0	0	0
Clmp4B				Clmp4A			

**Clmp4A:** VIN4A's clamp value.

**Clmp4B:** VIN4B's clamp value.

**Address= 8'h8C**

Video ADC LPF Option							
7-bit	6-bit	5-bit	4-bit	3-bit	2-bit	1-bit	0-bit
0	0	0	0	2'h0		2'h0	
				lpf_34		lpf_12	

**lpf\_12:** VADC 0 LPF selected.

**lpf\_34:** VADC 1 LPF selected.

lpf\_xx: 2'h0: 6MHz

2'h1: 9MHz

Others: bypass

**Address= 8'h8D**

VADC Clk Delay Configuration 1							
7-bit	6-bit	5-bit	4-bit	3-bit	2-bit	1-bit	0-bit
0	3'h0			0	3'h0		
	DLYMUX_ANA34				DLYMUX_ANA12		

**DLYMUX\_ANA12:** Programmable delay of digcore aclk\_out0 from aclk\_0.

(3'h0: zero delay → 3'h7: max delay, add 0.6ns at every step)

**DLYMUX\_ANA34:** Programmable delay of digcore aclk\_out1 from aclk\_1.

(3'h0: zero delay → 3'h7: max delay, add 0.6ns at every step)

**Address= 8'h8E**

VADC Clk Delay Configuration 2							
7-bit	6-bit	5-bit	4-bit	3-bit	2-bit	1-bit	0-bit
0	3'h0			0	3'h0		
DLYMUX_ANA54				DLYMUX_ANA27			

**DLYMUX\_ANA27:** Programmable delay of digcore aclk27\_out from aclk27.

(3'h0: zero delay → 3'h7: max delay, add 0.6ns at every step)

**DLYMUX\_ANA54:** Programmable delay of digcore aclk54\_out from aclk54.

(3'h0: zero delay → 3'h7: max delay, add 0.6ns at every step)

**Address= 8'h8F**

VADC Digcore Config							
7-bit	6-bit	5-bit	4-bit	3-bit	2-bit	1-bit	0-bit
0	0	0	0	0	3'h0		
					DLYMUX_VD		

**DLYMUX\_VD:** Programmable delay of VD clk.

(3'h0: zero delay → 3'h7: max delay, add 0.6ns at every step)

## PLL

### Formula:

$$\text{CLK\_OUT} = \text{XIN} * (\text{M}+2) / [(\text{N}+2) * \text{OD} * 2]$$

Where CLK\_OUT: PLL output frequency

XIN: PLL input frequency.

M: The numerator of PLL formula.

[N, OD]: The denominator of PLL formula.

### Attention:

1. 100MHz <= CLK\_OUT \* OD <= 250MHz
2. 1MHz <= XIN/(N+2) <= 25MHz
3. OD >= 1

### Truth Table:

PD	BP	OE	CLK_OUT
0	0	0	CLK_OUT
0	0	0	XIN
Don't Care	1	0	XIN
Don't Care	Don't Care	1	0
Other			Undefined

**PD:** Power down control; Active high.

**BP:** Bypass XIN to CLK\_OUT; Active high.

**OE:** CLK\_OUT enable pin, Active low.

**Address= 8'h90**

SW PLL Control							
7-bit	6-bit	5-bit	4-bit	3-bit	2-bit	1-bit	0-bit
0	0	0	0	0	0	0	0
SWPLL RST						SWPLL2	SWPLL1



**SWPLL1:** set PLL1 input configuration from SWPLL1\_XX set, otherwise hard wired with chip default vale. (108MHz)

**SWPLL2:** set PLL2 input configuration from SWPLL2\_XX set, otherwise hard wired with chip default vale. (74.25MHz)

**SWPLLRST:** set 1, chip will enter a reset mode waiting for PLL stable in 1ms. After that, SW needs to re-program all register setting except PLL configuration.

**Address= 8'h91**

SW PLL Config							
7-bit	6-bit	5-bit	4-bit	3-bit	2-bit	1-bit	0-bit
0	0	0	0	0	0	0	0
		SWPLL2 _OE	SWPLL1 _OE	SWPLL2 _PD	SWPLL2 _BP	SWPLL1 _PD	SWPLL1 _BP

**SWPLL1\_BP:** PLL1\_BP SW program source.

**SWPLL1\_PD:** PLL1\_PD SW program source.

**SWPLL2\_BP:** PLL2\_BP SW program source.

**SWPLL2\_PD:** PLL2\_PD SW program source.

**SWPLL1\_OE:** PLL1\_OE SW program source.

**SWPLL2\_OE:** PLL2\_OE SW program source.

**Address= 8'h92**

SWPLL1 M							
7-bit	6-bit	5-bit	4-bit	3-bit	2-bit	1-bit	0-bit
8'h0							
SWPLL1_M[7:0]							

**SWPLL1\_M:** PLL1\_M SW program source.

**Address= 8'h93**

SWPLL1_N							
7-bit	6-bit	5-bit	4-bit	3-bit	2-bit	1-bit	0-bit
0	0	0	5'h0				
SWPLL1_M[8]			SWPLL1_N				

**SWPLL1\_N: PLL1\_N SW program source**
**Address= 8'h94**

SWPLL2_M							
7-bit	6-bit	5-bit	4-bit	3-bit	2-bit	1-bit	0-bit
8'h0							
SWPLL2_M[7:0]							

**SWPLL2\_M: PLL2\_M SW program source**
**Address= 8'h95**

SWPLL2_N							
7-bit	6-bit	5-bit	4-bit	3-bit	2-bit	1-bit	0-bit
0	0	0	5'h0				
SWPLL2_M[8]			SWPLL2_N				

**SWPLL2\_N: PLL2\_N SW program source**

Address= 8'h96

SWPLL_OD							
7-bit	6-bit	5-bit	4-bit	3-bit	2-bit	1-bit	0-bit
4'h0				4'h0			
SWPLL2_OD				SWPLL1_OD			

**SWPLL1\_OD**: PLL1\_OD SW program source

**SWPLL2\_OD**: PLL2\_OD SW program source

DM5885 PLL SETTINGS Ref: 27MHz						
Ref: 27MHz	M	N	OD	PD	OE	BP
108 MHz	14	0	1	0	0	0
74.25 MHz	20	0	2	0	0	0

## Audio ADC/DAC

Address= 8'hF0

Audio ADC/DAC Test Mode							
7-bit	6-bit	5-bit	4-bit	3-bit	2-bit	1-bit	0-bit
0	0	0	0	0	0	0	0
	ADAC_mute	ADAC_r eset	ADAC_p d		AADC_t est	AADC_r eset	

**AADC\_reset**: Audio ADC reset. (R/W: Active high)

**AADC\_test**: Audio ADC test pin.

**ADAC\_pd**: Audio DAC power down. (R/W: Active high)

**ADAC\_reset**: Audio DAC reset. (R/W: Active high)

**ADAC\_mute**: Audio DAC mute. (R/W: Active high)

Address= 8'hF1

Audio DAGC Config 1							
7-bit	6-bit	5-bit	4-bit	3-bit	2-bit	1-bit	0-bit
4'h0				4'h0			
AADC_DAGC_2				AADC_DAGC_1			

**AADC\_DAGC\_1:** Audio ADC 1 digital gain control.

**AADC\_DAGC\_2:** Audio ADC 2 digital gain control.

AADC_DAGC_X[3:0], MIXGAIN_X[3:0]					
Set	Real Gain	dB	Set	Real Gain	dB
4'h0	0	-	4'h8	1.00	0
4'h1	0.125	-18.06	4'h9	1.25	1.94
4'h2	0.25	-12.04	4'hA	1.5	3.52
4'h3	0.375	-8.52	4'hB	1.75	4.86
4'h4	0.5	-6.02	4'hC	2.00	6.02
4'h5	0.625	-4.08	4'hD	2.25	7.04
4'h6	0.75	-2.50	4'hE	2.50	7.96
4'h7	0.875	-1.16	4'hF	2.75	8.79

**Address= 8'hF2**

Audio DAGC Configuration 2							
7-bit	6-bit	5-bit	4-bit	3-bit	2-bit	1-bit	0-bit
4'h0				4'h0			
AADC_DAGC_4				AADC_DAGC_3			

**AADC\_DAGC\_3:** Audio ADC 3 digital gain control.

**AADC\_DAGC\_4:** Audio ADC 4 digital gain control.

**Address= 8'hF3**

Audio DAGC Configuration 3							
7-bit	6-bit	5-bit	4-bit	3-bit	2-bit	1-bit	0-bit
4'h0				4'h0			
AADC_DAGC_P				AADC_DAGC_5			

**AADC\_DAGC\_5:** Audio ADC 5 digital gain control.

**AADC\_DAGC\_P:** Audio ADC digital gain control, source is selected from REGF8: ADAC\_SRC .

**Address= 8'hF4**

Audio ADC Format							
7-bit	6-bit	5-bit	4-bit	3-bit	2-bit	1-bit	0-bit
0	0	0	0	2'h0		0	0
			AADC_MULCH	AADC_FSRATE		AADC_I2SMODE	

**AADC\_I2SMODE:** (Digital I2S/DSP record interface): (master only)

1'b0: I2S mode

1'b1: DSP mode

**AADC\_FSRATE:** (Digital I2S/DSP record interface)

2'b00: 48KHz

2'b01: 24KHz

2'b10: 16KHz

2'b11: 8KHz

**AADC\_MULCH:** When 1, out 5 channels in record path.

When 0, out 2 channels in record path.

**Address= 8'hF5**

MIX Gain Configuration 1							
7-bit	6-bit	5-bit	4-bit	3-bit	2-bit	1-bit	0-bit
4'h0				4'h0			
MIXGAIN_2				MIXGAIN_1			

**MIXOUT =**

$$\begin{aligned} & \text{AIN1} * \text{ADC\_DAGC\_1} * \text{MIXGAIN\_1} + \text{AIN2} * \text{ADC\_DAGC\_2} * \text{MIXGAIN\_2} + \\ & \text{AIN3} * \text{ADC\_DAGC\_3} * \text{MIXGAIN\_3} + \text{AIN4} * \text{ADC\_DAGC\_4} * \text{MIXGAIN\_4} + \\ & \text{AIN5} * \text{ADC\_DAGC\_5} * \text{MIXGAIN\_5} + \text{ADATP} * \text{MIXGAIN\_P} \end{aligned}$$

**Address= 8'hF6**

MIX Gain Configuration 2							
7-bit	6-bit	5-bit	4-bit	3-bit	2-bit	1-bit	0-bit
4'h0				4'h0			
MIXGAIN_4				MIXGAIN_3			

Refer to REG F5

**Address= 8'hF7**

MIX Gain Configuration 3							
7-bit	6-bit	5-bit	4-bit	3-bit	2-bit	1-bit	0-bit
4'h0				4'h0			
MIXGAIN_P				MIXGAIN_5			

Refer to REG F5

**Address= 8'hF8**

Audio DAC Format							
7-bit	6-bit	5-bit	4-bit	3-bit	2-bit	1-bit	0-bit
0	3'h0			0	0	0	0
ADAC_T IME	ADAC_SRC			ADAC_FSRATE		ADAC_I 2SMOD E	ADAC_P RCH

**ADAC\_PRCH:** When ADAC selecting the playback input source and PLAY\_PRCH=0, ADAC chooses the playback left channel. Otherwise use playback right channel.

**ADAC\_I2SMODE:** (Digital I2S/DSP playback interface): (mater only).

1'b0: I2S mode

1'b1: DSP mode.

**ADAC\_FSRATE:** (Digital I2S/DSP playback interface):

2'b00: 48KHz

2'b01: 24KHz

2'b10: 16KHz

2'b11: 8KHz

**DAC\_SRC:**

3'h0: ADATP (playback)

3'h1: MIXOUT

3'h2: AIN\_1

3'h3: AIN\_2

3'h4: AIN\_3

3'h5: AIN\_4

3'h6: AIN\_5

**ADAC\_TIME:**

When 1, use ADAC\_FSRATE, ADAC mode to generate ACLKP/ASYNP.

Otherwise share the same timing signals with ACLKR/ASYNR.

**Address= 8'hF9**

Audio ADC/DAC Test Mode							
7-bit	6-bit	5-bit	4-bit	3-bit	2-bit	1-bit	0-bit
0	0	0	0	0	0	0	0
			AADC_p d5	AADC_p d4	AADC_p d3	AADC_p d2	AADC_p d1

AADC\_pdX: Power down of Audio ADC X, active high.

**Address= 8'hFA**

Audio ADC/DAC Bias							
7-bit	6-bit	5-bit	4-bit	3-bit	2-bit	1-bit	0-bit
4'h0				4'h0			
ADAC_bias				AADC_bias			

ADAC\_bias: Audio DAC's bias setting.

AADC\_bias: Audio ADC's bias setting.



**Address= 8'hFB**

Audio ADC/DAC Test Mode							
7-bit	6-bit	5-bit	4-bit	3-bit	2-bit	1-bit	0-bit
3'h0			0	0	0	2'h0	
AADCSEL			SW_AU DIOTST EN			VADCBYPOPT	

**VADCBYPOPT:** Video ADC bypass source option

2'b00: external A/B channel mode.

2'b01: external only A channel mode.

2'b10: external ADI mode.

**SW\_AUDIOTSTEN:** When 1, chip enter to Audio Test mode, and drives Audio ADC/DAC test signal to I/O pins.

**AADCSEL:** Under Audio ADC test mode.

3'h0: AADC\_1[15:0] selected to output pins.

3'h1: AADC\_2[15:0] selected to output pins.

3'h2: AADC\_3[15:0] selected to output pins.

3'h3: AADC\_4[15:0] selected to output pins.

3'h4: AADC\_5[15:0] selected to output pins.

**Address= 8'hFD**

I2S Data Width							
7-bit	6-bit	5-bit	4-bit	3-bit	2-bit	1-bit	0-bit
1	0	0	0	0	0	2'h0	
FCLK_EN	I2SDAT AWIDTH						

**FCLK\_EN:** Audio clock enable, active low.

**I2SDATAWIDTH:** 0: The I2S/DSP interface uses 16-bit data.

1: The I2S/DSP interface uses 8-bit data.

**Address= 8'hFE**

Audio Record 2							
7-bit	6-bit	5-bit	4-bit	3-bit	2-bit	1-bit	0-bit
0	0	0	0	0	0	0	0
						ADATR_2EN	

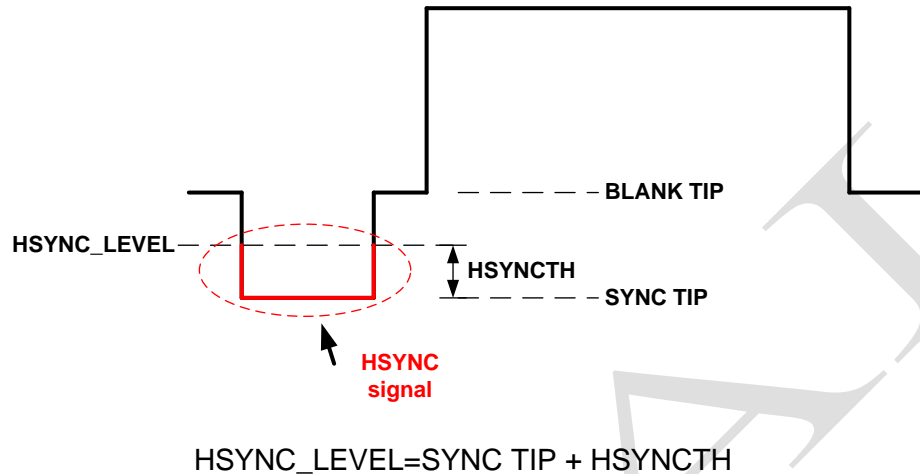
**ADATR\_2EN:** Set as 1 to enable audio record channel 2 (using MI2CD1)

**Address= 8'hFF**

REVNUM							
7-bit	6-bit	5-bit	4-bit	3-bit	2-bit	1-bit	0-bit
8'h65							
REVNUM							

## Video Decoder

HSYNC signal:



Address= 8'h00

VD Control							
7-bit	6-bit	5-bit	4-bit	3-bit	2-bit	1-bit	0-bit
0	0	0	0	1	0	1	0
BBRSTZ	IFLDFASTSW	FASTSWEN	S_Video	ADC_A	ADI_ADC	EN	SRSTZ

**SRSTZ:** SW reset video decoder, WO

**EN:** Enable Video decoding function

**S\_Video:** input signal is S-Video

**FASTSWEN:** Enable fast switch function

**IFLDFASTSW:** Set 1 : Fast switch boundary at every field end. Only Valid when REG04[3] : 1'b0.

Set 0: Fast switch boundary at frame end.

**BBRSTZ:** BB reset only, WO

**Address= 8'h01**

WATCHSEL							
7-bit	6-bit	5-bit	4-bit	3-bit	2-bit	1-bit	0-bit
4'hf				0	0	2'b01	
AGC_LMT							

**AGC\_LMT:** Analog AGC range

## AGC

**Address= 8'h02**

AGC							
7-bit	6-bit	5-bit	4-bit	3-bit	2-bit	1-bit	0-bit
4'h0				1	0	1	1
AGC_gain					AGC_DTRACKEN	HWAGCEN	SYNCCAGCEN

**SYNCCAGCEN:** Set 1, enable CAGC gain update.

**HWAGCEN:** Hardware AGC enable

**AGC\_DTRACKEN:** Dynamic sync tip tracking enable

**AGC\_gain:** SW set AGC gain, RW

**Address= 8'h03**

AGCDOWN_TH							
7-bit	6-bit	5-bit	4-bit	3-bit	2-bit	1-bit	0-bit
8'h63							
AGCDOWNTH[7:0]							

**AGCDOWNTH:** ADC couldn't larger than 867, if it is, will decrease the agc\_gain.

**Address= 8'h04**

AGCDOWN_TH							
7-bit	6-bit	5-bit	4-bit	3-bit	2-bit	1-bit	0-bit
0	0	0	1	0	0	2'h3	
FASTSWOPT				OFASTSW		AGCDOWNTH[9:8]	

**OFASTSW:** Set 1: FASTSW control from input PIN(MPOUT).

Set 0: FASTSW source from internal logic related to FASTSWOPT, RW

**FASTSWOPT:** Set fast switch frame length ((FASTSWOPT+1)x8), RW

### Video Detection Misc

**Address= 8'h05**

HSYNCTH							
7-bit	6-bit	5-bit	4-bit	3-bit	2-bit	1-bit	0-bit
8'h30							
HSYNCTH							

**HSYNCTH:** Set horizontal sync threshold level

**Address= 8'h06**

Vdet_misc							
7-bit	6-bit	5-bit	4-bit	3-bit	2-bit	1-bit	0-bit
0	0	0	0	1	0	1	1
MONOUT	MUKSEL			BLACKOUT	SETUP_7.5IRE	OCCIREN	ColorPOUT

**ColorPOUT:** Set 1, VD will drive Color panel when no video signal detected, otherwise drive black panel. Color panel setting see 0x2A[6:4]

**OCCIREN:** Set 1, VD will out CCIR656

**SETUP\_7.5IRE:** Set 1, add 7.5 IRE to the BLANK\_TIP

**BLACKOUT:** Set 1, VD will drive black panel or blue panel when no video signal detected.

**MONOUT:** force CCIR656 Cb=128, Cr=128

### Color Killer

**Address= 8'h08**

ColorKill TH							
7-bit	6-bit	5-bit	4-bit	3-bit	2-bit	1-bit	0-bit
8'h20							
CBDIFFTH[7:0]							

**CBDIFFTH:** Set the color burst difference threshold

### 2D Comb Filter

**Address= 8'h09**

Com2D_CFG							
7-bit	6-bit	5-bit	4-bit	3-bit	2-bit	1-bit	0-bit
0	0	0	0	0	0	0	0
			FORCE_MONO		FORCE_VCOMB	NOTCH_FLTSEL	DIS_VC OMB

**DIS\_VCOMB:** Set 1 to disable vertical comb filter

**NOTCHFLTSEL:** Set 0, use the wide band notch filter

Set 1, use the narrow band notch filter

**FORCE\_MONO:** Set 1 to force the MONO signal mode.

**Address= 8'h0C**

PAL SW CFG							
7-bit	6-bit	5-bit	4-bit	3-bit	2-bit	1-bit	0-bit
2'h0		0					0
Y_SHARP_GAIN							PALSW OPT

**PALSWOPT:** Set 1 to use standard pal switch define to demodulation.

For line lock camera, set this bit to 1.

**Y\_SHARP\_GAIN:**

2'h0 : no sharpness function

2'h1: sharpness gain 0.5

2'h2: sharpness gain 1

2'h3: sharpness gain 2

**Address= 8'h10**

VD Decoder status							
7-bit	6-bit	5-bit	4-bit	3-bit	2-bit	1-bit	0-bit
0	0	0	0	0	0	0	0
PAL_Nc	PAL-I,B,B1,G,H,D/PAL_N	PAL_M	PAL_60	NTSC-443	NTSC-J/NTSC-M	COLOR KILL_52_5	COLOR KILL_62_5

The register show the video decoded status

**RO.** Set 1 to enable SW force mode.

**Address= 8'h11**

VD_STS							
7-bit	6-bit	5-bit	4-bit	3-bit	2-bit	1-bit	0-bit
0	0	0	0	0	0	0	0
CLKLOCK_STST							DET_NONILT

**DET\_NONILT:** RO. Detect the non-interlaced signal format.

**CLKLOCK\_STST:** RO. Clock offset lock status

**Address= 8'h12**

DAGC_LMT							
7-bit	6-bit	5-bit	4-bit	3-bit	2-bit	1-bit	0-bit
4'h3				4'hf			
CLKOFF_LOCK				DAGC_LMT			

**DAGC\_LMT:** Digital AGC range

**CLKOFF\_LOCK:** Clock offset locking function. 4'h0: always tracking

Others: clock offset lock within CLKOFF\_LOCK \* 8 ppm.

**Address= 8'h13**

VD_CFG							
7-bit	6-bit	5-bit	4-bit	3-bit	2-bit	1-bit	0-bit
0	1	1	0	1	0	0	1
SWFAR 54MD	HWFAR 54OPT	GAINLO CK_OPT	CLKOFF DIS	CBADJ	BLANK_ SHIFTE N	ALINEL OCK	CLKOFF _TRACK EN

**CLKOFF\_TRACKEN:** CLKOFFSET tracking enable



**ALINELOCK:** active line lock option, fixed line start position.

**BLANK\_SHIFTEN:** set 1, blank level will be modified according to color burst mean value per line.

**CBADJ:** Color burst adjust

**CLKOFFDIS:** Disable clock offset tracking function

**GAINLOCK\_OPT:** Enable gain locking function after 16 frame decoded.

**HWFAR54OPT:** Set 1, FAR4FS will operate in 54Mhz when detecting 4.43 subcarrier

**SWFAR54MD:** Software force FAR4FS operate in 54Mhz.

**Address= 8'h14**

VD_CFG							
7-bit	6-bit	5-bit	4-bit	3-bit	2-bit	1-bit	0-bit
0	0	0	0	0	1	0	1
		LLCFASTMD			VDETOP T	LTRACK OPT	CLKLO CKOPT

**CLKLOCKOPT:** Set 0 : Always tracking clock offset when

$\text{abs}(\text{clkoffset}) > \text{CLKOFF\_LOCK} (\text{REG12}[7:4])$

Set 1 : keep tracking until first time

$\text{abs}(\text{clkoffset}) < \text{CLKOFF\_LOCK}(\text{REG12}[7:4])$

**LTRACKOPT:** Set 1: Hardware continues active line (video) decoding when miss valid HSYNC signal until video loss.

Set 0: Hardware performs active line (video) decoding until valid HSYNC signal detected.

**VDETOPT:** Set 1: using rising edge of HSYNC signal as line detection timing.

Set0: using falling edge of HSYNC signal as line detection timing.

For long cable application, set this bit to 1.

**LLCFASTMD[1:0]:**

Line lock Auto Detection stable period. Valid when  $\text{REG3B}[5]=1$ .

Set 0: check line lock mode right after decode started

Set 1: check line lock mode after 8 frames decoded.

Set 2, 3: check line lock mode after 16 frames decoded.

**Address= 8'h15**

CLKOFF_CTL							
7-bit	6-bit	5-bit	4-bit	3-bit	2-bit	1-bit	0-bit
0	0	0	0	1	1	0	0
					CLKFRACEN	FIXHSYNC_MD L	SWFIXCLOCKOFF

**SWFIXCLOCKOFF:** Set 1, SW fixed clock offset. Force clock offset value=

{REG25[4:0],REG24[7:0],REG23[7:0]}.

**FIXHSYNC\_MDL:** Set 1, fixed the HSYNC\_LEVEL to be REG05 HSYNCTH.

**CLKFRACEN:** Set 1, enable fraction clock offset tracking.

**Address= 8'h17**

CTI gain							
7-bit	6-bit	5-bit	4-bit	3-bit	2-bit	1-bit	0-bit
0	0	6'd10					
HMIDTR ACK							

**HMIDTRACK:** Set 1: tracking BLANK TIP each line at Front Porch Blanking position (REG4B[7:0]).

Set 0: tracking BLANK TIP at CVBS serration period.

Address= 8'h18

LOWTRACK							
7-bit	6-bit	5-bit	4-bit	3-bit	2-bit	1-bit	0-bit
0	0	0	0	0	0	0	0
FSHYBC OPT	DISCOL KILL		NONINT EN	CAGCO PT	TRHSYN COPT	LOWTR ACK	TRHSYN CTH

**TRHSYNCTH:** Set 1: enable HW auto update HSYNCTH during video detection.

Set 0: use fix HSYNCTH (REG05[7:0]) during video detection.

**LOWTRACK:** Set 1: tracking SYNC TIP per line(s) from LOWLEVEL TRACKER.

Set 0: tracking SYNC TIP at CVBS serration period.

**TRHSYNCOPT:** Set 1: use fix HSYNCTH (REG05) during video detection

Set 0: enable HW auto update HSYNCTH during video detection.

**CAGCOPT:** Set 1 to enable color AGC.

**NONINTEN:** Set 1 to enable auto detect non-interlaced signal.

**DISCOLKILL:** Set 1 to disable auto detect color kill mode

**FSHYBCOPT:** ONLY valid under FASTSWEN.

Set 1: Keep previous tracked HSYNCTH

Set 0: use REG05 as HSYNCTH

**Address= 8'h20**

AGC gain							
7-bit	6-bit	5-bit	4-bit	3-bit	2-bit	1-bit	0-bit
0	0	0	0	0	0	0	0
DAGC Gain				AAGC Gain			

**AAGC Gain:** Analog AGC gain setting, RO

**DAGC Gain:** Digital AGC gain setting, RO

**Address= 8'h21**

AGC gain							
7-bit	6-bit	5-bit	4-bit	3-bit	2-bit	1-bit	0-bit
0	0	0	0	0	0	0	0
SYNC_TIP[7:0]							

**SYNC\_TIP:** RO

**Address= 8'h22**

AGC gain							
7-bit	6-bit	5-bit	4-bit	3-bit	2-bit	1-bit	0-bit
0	0	0	0	0	0	0	0
BLANK_TIP[7:0]							

**BLANK\_TIP:** RO

**Address= 8'h23**

7-bit	6-bit	5-bit	4-bit	3-bit	2-bit	1-bit	0-bit
0	0	0	0	0	0	0	0
<b>CLKOFF[7:0]</b>							

**CLKOFF:** RO, internal 2's compliment clock offset tracking status. Unit (ppm)

**Address= 8'h24**

7-bit	6-bit	5-bit	4-bit	3-bit	2-bit	1-bit	0-bit
0	0	0	0	0	0	0	0
<b>CLKOFF[15:8]</b>							

**CLKOFF:** RO, internal 2's compliment clock offset tracking status. Unit (ppm)

**Address= 8'h25**

7-bit	6-bit	5-bit	4-bit	3-bit	2-bit	1-bit	0-bit
0	0	0	0	0	0	0	0
				<b>SYNC_TIP[20:16]</b>			

**SYNC\_TIP:** RO

**Address= 8'h26**

8'h26							
7-bit	6-bit	5-bit	4-bit	3-bit	2-bit	1-bit	0-bit
0	0	0	0	0	0	0	0
				BLANK_TIP[9:8]		SYNC_TIP[9:8]	

**BLANK\_TIP: RO**
**SYNC\_TIP: RO**
**Address= 8'h29**

Blue Panel Select							
7-bit	6-bit	5-bit	4-bit	3-bit	2-bit	1-bit	0-bit
0	0	0	0	0	0	0	0
						PALBLP ANL	NTSCBL PANL

**PALBLPANL:** Valid when REG06[3]=1. When no signal, SW sets PAL blue panel out.

**NTSCBLPANL:** Valid when REG06[3]=1. When no signal, SW sets NTSC blue panel out.

When PALBPANL=0, NTSCBLPANL=0. HW takes PAL as default mode.

**Address= 8'h2A**

VD_MISC							
7-bit	6-bit	5-bit	4-bit	3-bit	2-bit	1-bit	0-bit
0	0	0	0	0	0	2'h2	
	ColorOut					MPP_OPT	

**MPP\_OPT:** (Enable when GPOSEL (REG7A[7]) = 1'b1)

2'h0: drive field info to pin.

2'h1: drive Active info to pin.

2'h2: drive NOVID info to pin.

2'h3: drive FASTSW\_SEL info to pin.

VD\_MPP signal pin out:

(VD0,VD1,VD2,VD3)→( MI2CD0, MI2CD1, MI2CD2, MI2CD3)

**ColorOut:** valid when REG06[3]=1 and REG06[0]=1.

3'h0: blue panel

3'h1: red panel

3'h2: white panel

3'h3: green panel

3'h4: magenta panel

3'h7: color rotation mode, blue → red →

white → green → magenta → black → blue...

**Color Process**

**Address= 8'h2B**

COLOR_EXT							
7-bit	6-bit	5-bit	4-bit	3-bit	2-bit	1-bit	0-bit
0	0	2'h1		0	0	0	1
	CCIRBL ANKOP T					NTSC_C CIREXT	EXT_CO LOR

**EXT\_COLOR:** Set 1, Y/Cb/Cr value from 8'h1~8'hfe

**NTSC\_CCIREXT:** Set 1 in NTSC mode, CCIR656 output 487 active line.

**CCIRBLANKOPT:** Set 1: output blanking period close to standard CCIR656.

Set 0: with short V blank lines before active field start.

**Address= 8'h2C**

Hue							
7-bit	6-bit	5-bit	4-bit	3-bit	2-bit	1-bit	0-bit
8'h0							
Hue[7:0]							

**Hue:** Hue[9:0] = {REG33[1:0],REG2C[7:0]}

10'h0~10'h3ff → 0~360 degree

**Address= 8'h2D**

Saturation							
7-bit	6-bit	5-bit	4-bit	3-bit	2-bit	1-bit	0-bit
8'h10							
Saturation							

**Saturation:** unsigned, Range : 0 ~ 15.9375

8'hff : maximum, about x16 color intensity.

8'h00: (no color)



**Address= 8'h2E**

Contrast							
7-bit	6-bit	5-bit	4-bit	3-bit	2-bit	1-bit	0-bit
8'h80							
Contrast							

**Contrast:** unsigned, Range : 0~2

8'hff: maximum (x2) contrast

8'h80: original signal (x1)

8'h00: minimum contrast

**Address= 8'h2F**

Brightness							
7-bit	6-bit	5-bit	4-bit	3-bit	2-bit	1-bit	0-bit
8'h00							
Brightness							

**Brightness:** signed

8'h7f: brightest

8'h80: darkest

**Address= 8'h30**

INT Mask							
7-bit	6-bit	5-bit	4-bit	3-bit	2-bit	1-bit	0-bit
0	0	0	0	0	0	0	0
	MDCHG_1_MASK	VLOST_1_MASK	VDET_1_MASK		MDCHG_0_MASK	VLOST_0_MASK	VDET_0_MASK

**VDET\_0\_MASK:** Set 1, enable register 0x31 VDET\_0 interrupt function, RW

**VLOST\_0\_MASK:** Set 1, enable register 0x31 VLOST\_0 interrupt function, RW

**MDCHG\_0\_MASK:** Set 1 enable register 0x31 MDCHG\_0 interrupt function, RW

**VDET\_1\_MASK:** Set 1 to enable register 0x31 VDET\_1 interrupt function, RW

**VLOST\_1\_MASK:** Set 1 enable register 0x31 VLOST\_1 interrupt function, RW

**MDCHG\_1\_MASK:** Set 1 enable register 0x31 MDCHG\_1 interrupt function, RW

**Address= 8'h31**

INT status							
7-bit	6-bit	5-bit	4-bit	3-bit	2-bit	1-bit	0-bit
0	0	0	0	0	0	0	0
	MDCHG_1	VLOST_1	VDET_1		MDCHG_0	VLOST_0	VDET_0

**VDET\_0:** when detect video signal, the interrupt set, set by HW, set 1 to clear

**VLOST\_0:** when lose video signal, the interrupt set, set by HW, set 1 to clear

**MDCHG\_0:** when detect video signal change, the interrupt set, set by HW, set 1 to clear

**VDET\_1:** valid for fast switch mode channel B, when detect video signal, the interrupt set, set by HW, set 1 to clear

**VLOST\_1:** valid for fast switch mode channel B, when lose video signal, the interrupt set, set by HW, set 1 to clear

**MDCHG\_1**: valid for fast switch mode channel B, when detect video signal change format, the interrupt set, set by HW, set 1 to clear

**Address= 8'h33**

HUE							
7-bit	6-bit	5-bit	4-bit	3-bit	2-bit	1-bit	0-bit
0	0	0	0	0	0	0	0
						Hue[9:8]	

**Hue**: Hue[9:0] = {REG33[1:0],REG2C[7:0]}

10'h0~10'h3ff → 0~360 degree

**Address= 8'h34**

FIELD OPTION							
7-bit	6-bit	5-bit	4-bit	3-bit	2-bit	1-bit	0-bit
0	0	0	0	0	0	0	0
					FIELD_I NV	FIELD_ ONLY	

**FIELD\_ONLY**: CCIR656 signal output field 0 only

**FILED\_INV**: Inverse output CCIR656 signal field

**Address= 8'h35**

Chroma Average							
7-bit	6-bit	5-bit	4-bit	3-bit	2-bit	1-bit	0-bit
0	0	0	0	0	0	0	1
						CAVNTS CMD	CAVPAL MD

**CAVNTSCMD**: Set 1, enable NTSC mode Cb/Cr line average.

Set 0, disable.

**CAVPALMD:** Set 1, enable PAL mode Cb/Cr line average.

Set 0, disable.

**Address= 8'h36**

MASK CCIR656 LINE							
7-bit	6-bit	5-bit	4-bit	3-bit	2-bit	1-bit	0-bit
0	0	0	0	0	0	0	1
						MASKALL	PAL_MSK3

**PAL\_MSK3:** Set 1, it will mask field 0 and 1 last lines according to REG37

**MASKALL:** mask all active

**Address= 8'h37**

MASK LINE							
7-bit	6-bit	5-bit	4-bit	3-bit	2-bit	1-bit	0-bit
0	3'h3			0	3'h3		
	MSK_LINE_F1				MSK_LINE_F0		

**MSK\_LINE\_F0:** When REG36[0] = 1, Mask Field 0 last number of active lines (0-7)

**MSK\_LINE\_F1:** When REG36[0] = 1, Mask Field 1 last number of active lines (0-7)

**Address= 8'h38**

MONO TH							
7-bit	6-bit	5-bit	4-bit	3-bit	2-bit	1-bit	0-bit
1	0	0	5'd31				
MONO_EN			MONO_TH				

**MONO\_TH:** MONO mode AGC threshold. AGC max value 30. when set MONO\_TH 31.

AGC will always less than MONO\_TH.

**MONO\_EN:** Set 0, when no valid color burst detected.

Output CCIR656 Y through Notch filter.

Set 1, when no valid color burst detected. Output CCIR656

 Y through Notch filter if  $AGC\_GAIN \geq MONO\_TH$ , otherwise output CCIR656 Y with ADC data.

When No valid color burst detected (color kill mode). Output CCIR656 Cb/Cr with 128 (no color).

**Address= 8'h39**

COLOR BURST DETECT							
7-bit	6-bit	5-bit	4-bit	3-bit	2-bit	1-bit	0-bit
0	3'h4			4'h5			
	COLBSTCYC			COLBSTHSEL			

**COLBSTHSEL:**Color Burst detection threshold.

 $4'h0:COLBSTH = 0.125*(BLANK\ TIP - SYNC\ TIP)$ 
 $4'h1:COLBSTH = 0.25*(BLANK\ TIP - SYNC\ TIP)$

4'h2:COLBSTH = 0.375\*(BLANK TIP – SYNC TIP)

4'h3:COLBSTH = 0.5\*(BLANK TIP – SYNC TIP)

4'h4:COLBSTH = 0.09375\*(BLANK TIP – SYNC TIP)

4'h5:COLBSTH = 0.078125\*(BLANK TIP – SYNC TIP)

4'h6:COLBSTH = 0.0625\*(BLANK TIP – SYNC TIP)

4'h7:COLBSTH = 0.03125\*(BLANK TIP – SYNC TIP)

4'h8:COLBSTH = 0

When color burst peak to peak value larger than COLBSTHSEL, it's been considered a good color burst signal cycle.

**COLBSTCYC:** When COLBSTCYC numbers of valid color burst cycle detected, VD will decode video with color and Color AGC will optionally started. Otherwise will enter color kill mode.

**Address= 8'h3A**

CAGC							
7-bit	6-bit	5-bit	4-bit	3-bit	2-bit	1-bit	0-bit
1	0	0	0	0	0	0	0
CAGCE N	CAGCL OCKOP	cagc_gain					

**cagc\_gain:** RO. Chroma gain value. [5:2] integer, [1:0] fractional.

(max 15.75, min 1)

**CAGCLOCKOPT:** Set 1, enable color AGC tracking until CAGC gain stable.

Set 0, color AGC tracking for first 15 video decoded frames.

**CAGCEN :** Set 1, enable color AGC.

Address= 8'h3B

Line Lock Camera								
7-bit	6-bit	5-bit	4-bit	3-bit	2-bit	1-bit	0-bit	
0	0	0	0	0	0	0	0	
CAMLOCKOPT	LOCKCAM_DET	HLOCKDET1	ACTSHIFT					

**ACTSHIFT:** Active region shift, 2's complement (-16~15)

**HLOCKDET1:** Set 1, to enable auto-detect Line Lock camera.

**LOCKCAM\_DET:** RO, Line lock camera detected. (RO)

**CAMLOCKOPT:** Set 1, when line lock camera used.

Address= 8'h3C

LLOCKTH							
7-bit	6-bit	5-bit	4-bit	3-bit	2-bit	1-bit	0-bit
8'd20							
LLOCKTH							

**LLOCKTH:** Line Lock auto detection threshold, valid only when 0x3B[5]=1.

When REG13[1]=1, line boundary difference within a field larger than LLOCKTH, Line Lock Camera detected.

Note: when clock offset tracking unstable and REG13[1]=1, line boundary difference might be large within a field.

**Address= 8'h3D**

VD_CFG							
7-bit	6-bit	5-bit	4-bit	3-bit	2-bit	1-bit	0-bit
0	0	0	0	0	0	0	0
	ORSTOPT	OBFOVF	OBFUDF	LLFAR4FSOPT1			LLFAR4FSOPT

**LLFAR4FSOPT:** Set 1, decode video chroma without clock offset compensation.

Set 0, decode video chroma after clock offset compensation.

Set this bit to one for Line Lock Camera.

**LLFAR4FSOPT1:** Set 1, Auto adjust the active region related to clock offset.

When force line lock mode, set this bit to 1;

**OBFUDF:** RO. CCIR output buffer under flow.

**OBFOVF:** RO. CCIR output buffer over flow.

**ORSTOPT:** Set 1, Reset CCIR output buffer when output buffer overflow or underflow.

**Address= 8'h3D**

OUT BUFFER							
7-bit	6-bit	5-bit	4-bit	3-bit	2-bit	1-bit	0-bit
8'h1a							
<b>OBFTH</b>							

**OBFTH:** CCIR656 output buffer ready threshold.

Once CCIR656 output buffer count is larger than

OBFTH, starts output CCIR656 active region.

PS. CCIR656 output buffer max length is 48, set OBFTH around middle level of buffer length.



**Address= 8'h40**

CCIROUT TYP EN							
7-bit	6-bit	5-bit	4-bit	3-bit	2-bit	1-bit	0-bit
0	0	0	0	0	0	0	0
		H_SAV_ACT	CROPEN		FLDCHIDEN	EAVCHIDEN	SWCHIDEN

**SWCHIDEN:** Valid when REG00[5]=1(FASTSWEN). Add SW channel ID

in first 4 data of active line, valid at fast switch mode.(field/frame)

**EAVCHIDEN:** Valid when REG00[5]=1(FASTSWEN) Add channel ID in EAV[3:0] and SAV[3:0], valid at fasts switch mode. (field/frame)

**FLDCHIDEN:** Valid when REG00[6:5]=2'h3 (IFLDFASTSW, FASTSWEN), output CVBS source A to field 0, output CVBS source B to field 1.

**CROPEN:** Video cropping function enable.

**H\_SAV\_ACT:** Set 1, HSYNC signal will include SAV data, otherwise HSYNC signal only at active region.

**Address= 8'h41**

Cropping Register							
7-bit	6-bit	5-bit	4-bit	3-bit	2-bit	1-bit	0-bit
2'h0		2'h3		2'h0		2'h0	
H_STR[9:8]		H_ACT[9:8]		V_STR[9:8]		V_ACT[9:8]	

**H\_STR[9:8]:** It defined the number of pixels start after SAV.

**H\_ACT[9:8]:** It defined the number of active region.

**V\_STR[9:8]:** It defined VSYNC start after active region line.

**V\_ACT[9:8]:** It defined the number of VSYNC during active region.

H\_STR + H\_ACT &lt; total number of pixels per line.

$V\_STR + V\_ACT < \text{total number of lines per field.}$

**Address= 8'h42**

Cropping Register							
7-bit	6-bit	5-bit	4-bit	3-bit	2-bit	1-bit	0-bit
8'h0							
H_STR[7:0]							

**Address= 8'h43**

Cropping Register							
7-bit	6-bit	5-bit	4-bit	3-bit	2-bit	1-bit	0-bit
8'hC0							
H_ACT[7:0]							

**Address= 8'h44**

Cropping Register							
7-bit	6-bit	5-bit	4-bit	3-bit	2-bit	1-bit	0-bit
8'h0							
V_STR[7:0]							

**Address= 8'h45**

Cropping Register							
7-bit	6-bit	5-bit	4-bit	3-bit	2-bit	1-bit	0-bit
8'd240							
V_ACT[7:0]							

**Address= 8'h46**

Cb/Cr Slicer							
7-bit	6-bit	5-bit	4-bit	3-bit	2-bit	1-bit	0-bit
1					3'h2		
SLICER_EN					SLICER_RANGE		

**SLICER\_EN:** CB/CR coring function enable.

**SLICER\_RANGE:** Coring range (0 ~7). When  $128 - \text{SLICER\_RANGE} < (\text{CB/CR}) < 128 + \text{SLICER\_RANGE}$ , force the Chroma value to 128.

**Address= 8'h4B**

BLANK1TIP							
7-bit	6-bit	5-bit	4-bit	3-bit	2-bit	1-bit	0-bit
8'hdc							
BLANK1TIP							

**BLANK1TIP:** valid when REG17[7]. Line Blanking sample position.

**Address= 8'h4C**

HSYNLOWCYC							
7-bit	6-bit	5-bit	4-bit	3-bit	2-bit	1-bit	0-bit
0	7'd20						
HSYNLOWCYC							

**HSYNLOWCYC:** When low level (signal smaller than HSYNC LEVEL) signal exists over HSYNLOWCYC, it's considered as a HSYNC signal Candidate.

**Address= 8'h4D**

LMARG27							
7-bit	6-bit	5-bit	4-bit	3-bit	2-bit	1-bit	0-bit
8'h30							
LMARG27							

**LMARG27:** Sync signal detect margin after video detect.

**Address= 8'h4E**

MARG27							
7-bit	6-bit	5-bit	4-bit	3-bit	2-bit	1-bit	0-bit
8'h30							
MARG27							

**MARG27:** Sync signal detect margin before video detect.

## Video Mixer

Address= 8'hA0

Mixer Configuration							
7-bit	6-bit	5-bit	4-bit	3-bit	2-bit	1-bit	0-bit
0	0	0	0	4'h0			
VMSLO PT	VDSLO PT	PALEXT	CCIRPR OG0	OUT_SEL_0			

**OUT\_SEL\_0:** Mixer configuration select table. Valid for both Mixer\_0 and Mixer\_1.

	4'h0	4'h1	4'h2	4'h3	4'h4	4'h5																		
SD Mode	<table border="1"> <tr><td>0</td><td>1</td></tr> <tr><td>2</td><td>3</td></tr> </table>	0	1	2	3	<table border="1"> <tr><td>0</td></tr> <tr><td>1</td></tr> </table>	0	1	<table border="1"> <tr><td>0</td></tr> <tr><td>1</td><td>2</td></tr> </table>	0	1	2	<table border="1"> <tr><td>1</td><td>0</td><td>3</td></tr> <tr><td></td><td>2</td><td></td></tr> </table>	1	0	3		2		<table border="1"> <tr><td>0</td></tr> </table>	0	<table border="1"> <tr><td>0</td><td>1</td></tr> </table>	0	1
0	1																							
2	3																							
0																								
1																								
0																								
1	2																							
1	0	3																						
	2																							
0																								
0	1																							
HD Mode	<table border="1"> <tr><td>0</td><td>1</td></tr> <tr><td>2</td><td>3</td></tr> </table>	0	1	2	3																			
0	1																							
2	3																							

**CCIRPROG0:** when 1, enable mixer output from interlaced to progressive format

**PALEXT:** Only valid when OUT\_SEL\_0 = 4'h8.

When 1. output PAL SMPTE 274M resolution from 1920x1080 to 1920x1152.

Otherwise, output PAL SMPTE 274M resolution to 1920x1080

**VDSLOPT:** when 1, enable auto reset mixer video capture interface while internal CVBS VD detecting signal loss.

**VMSLOPT:** when 1, enable auto rest mixer video capture interface while mixer video capture interface detecting invalid CCIR656 signal.

**Address= 8'hA1**

Mixer Out Enable							
7-bit	6-bit	5-bit	4-bit	3-bit	2-bit	1-bit	0-bit
0	0	0	0	0	0	0	0
						SOUT_EN1	SOUT_EN0

**SOUT\_EN0:** Mixer 0 enable.

**SOUT\_EN1:** Mixer 1 enable. Only valid when SD mixer out and OUTSEL\_0 =4'h4 /4'h5.

**Address= 8'hA2**

Mixer Mode detect							
7-bit	6-bit	5-bit	4-bit	3-bit	2-bit	1-bit	0-bit
0	0	0	0	0	0	0	0
PALMD	MODECHG	MDCHGRST	SWFORCEMD				

**SWFORCEMD:** when 1, will disable Mixer auto mode PAL/NTSC detect function.  
 (Output format depends on REGA2[7] by SW)

**MDCHGRST:** when 1, Mixer will auto reset if MODECHGE detected.

**MODECHG:** (RO) when 1 indicates the system change mode change from NTSC to PAL or from PAL to NTSC.

**PALMD:** when SWFORCEMD=0 (PALMD RO), PALMD is a status of Mixer PAL/NTSC auto detect result.

When SWFORCEMD=1 (PALMD RW), set PALMD to 0 force NTSC mode, set PALMD to 1 force PAL mode.

**Address= 8'hA3**

Mixer Output format Configuration							
7-bit	6-bit	5-bit	4-bit	3-bit	2-bit	1-bit	0-bit
0	0	0	0	0	0	0	0
			NTSC_C CIREXT _0			BLUEO UT	

**BLUEOUT:** Set 1 mixer output blue panel when no valid signal. See REGD3~REGD5 for blue panel configuration.

**NTSC\_CCIREXT\_0:** valid under SD NTSC mode.

When 1. Mixer output 487 active line video.

Otherwise. Mixer output 480 active line video.

**Address= 8'hA4**

CCIR Input Line Length							
7-bit	6-bit	5-bit	4-bit	3-bit	2-bit	1-bit	0-bit
0	0	0	0	0	0	2'h2	
						CCIRINLEN[9:8]	

**Address= 8'hA5**

CCIR Input Line Length							
7-bit	6-bit	5-bit	4-bit	3-bit	2-bit	1-bit	0-bit
8'hD0							
CCIRINLEN[7:0]							

**CCIRINLEN[9:0]:** Mixer capture interface cropping length. For 720H video, it might be set to 720 or 704 or any multiple of 4. default 720.

Address= 8'hA6

Mixer Output partition Config							
7-bit	6-bit	5-bit	4-bit	3-bit	2-bit	1-bit	0-bit
0	0	0	0	0	0	0	0
				CORVLD_3	CORVLD_2	CORVLD_1	CORVLD_0

**CORVLD\_0:** set 1 to enable output partition 0 Left-Top coordinate(COR\_X0,COR\_Y0).  
valid OUTSEL\_0 = 4'h0, 4'h1, 4'h2, 4'h3, 4'h4, 4'h5 and 4'h8

**CORVLD\_1:** set 1 to enable output partition 1 Left-Top coordinate(COR\_X1,COR\_Y1).  
valid OUTSEL\_0 = 4'h0, 4'h1, 4'h2, 4'h3, 4'h5 and 4'h8

**CORVLD\_2:** set 1 to enable output partition 2 Left-Top coordinate(COR\_X2,COR\_Y2).  
valid OUTSEL\_0 = 4'h0, 4'h2, 4'h3, and 4'h8

**CORVLD\_3:** set 1 to enable output partition 3 Left-Top coordinate(COR\_X3,COR\_Y3).  
valid OUTSEL\_0 = 4'h0, 4'h3 and 4'h8

Default value: SD mixer out → NTSC 720x480 and OUT\_SEL\_0 = 4'h0.



Please refer to the following figure.

**COR\_X0[9:0]:** X coordinate of partition 0 Left-Top point.

Default value: 10'd0 (10'h0)

**COR\_Y0[9:0]:** Y coordinate of partition 0 Left-Top point.

Default value: 10'd0 (10'h0)

**COR\_X1[9:0]:** X coordinate of partition 1 Left-Top point.

Default value: 10'd360 (10'h168)

**COR\_Y1[9:0]:** Y coordinate of partition 1 Left-Top point.

Default value: 10'd0 (10'h0)

**COR\_X2[9:0]:** X coordinate of partition 2 Left-Top point.

Default value: 10'd0 (10'h0)

**COR\_Y2[9:0]:** Y coordinate of partition 2 Left-Top point.

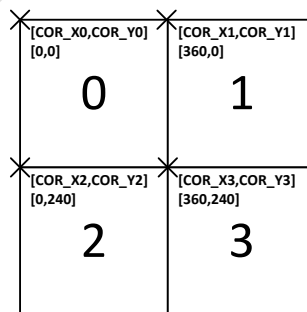
Default value: 10'd240 (10'hF0)

**COR\_X3[9:0]:** X coordinate of partition 3 Left-Top point.

Default value: 10'd360 (10'h168)

**COR\_Y3[9:0]:** Y coordinate of partition 3 Left-Top point.

Default value: 10'd240 (10'hF0)



**Address= 8'hA7**

Mixer Output partition Coordinate							
7-bit	6-bit	5-bit	4-bit	3-bit	2-bit	1-bit	0-bit
2'h0		2'h1		2'h0		2'h0	
COR_Y1[9:8]		COR_X1[9:8]		COR_Y0[9:8]		COR_X0[9:8]	

Please refer to the figure in register 0xA6.

**Address= 8'hA8**

Mixer Output partition Coordinate							
7-bit	6-bit	5-bit	4-bit	3-bit	2-bit	1-bit	0-bit
8'h0							
COR_X0[7:0]							

Please refer to the figure in register 0xA6.

**Address= 8'hA9**

Mixer Output partition Coordinate							
7-bit	6-bit	5-bit	4-bit	3-bit	2-bit	1-bit	0-bit
8'h0							
COR_Y0[7:0]							

Please refer to the figure in register 0xA6.

**Address= 8'hAA**

Mixer Output partition Coordinate							
7-bit	6-bit	5-bit	4-bit	3-bit	2-bit	1-bit	0-bit
8'h68							
COR_X1[7:0]							

Please refer to the figure in register 0xA6.

**Address= 8'hAB**

Mixer Output partition Coordinate							
7-bit	6-bit	5-bit	4-bit	3-bit	2-bit	1-bit	0-bit
8'h0							
COR_Y1[7:0]							

Please refer to the figure in register 0xA6.

**Address= 8'hAC**

Mixer Output partition Coordinate							
7-bit	6-bit	5-bit	4-bit	3-bit	2-bit	1-bit	0-bit
2'h0		2'h1		2'h0		2'h0	
COR_Y3[9:8]		COR_X3[9:8]		COR_Y2[9:8]		COR_X2[9:8]	

Please refer to the figure in register 0xA6.

**Address= 8'hAD**

Mixer Output partition Coordinate							
7-bit	6-bit	5-bit	4-bit	3-bit	2-bit	1-bit	0-bit
8'h0							
COR_X2[7:0]							

Please refer to the figure in register 0xA6.

**Address= 8'hAE**

Mixer Output partition Coordinate							
7-bit	6-bit	5-bit	4-bit	3-bit	2-bit	1-bit	0-bit
8'hF0							
COR_Y2[7:0]							

Please refer to the figure in register 0xA6.

**Address= 8'hAF**

Mixer Output partition Coordinate							
7-bit	6-bit	5-bit	4-bit	3-bit	2-bit	1-bit	0-bit
8'h68							
COR_X3[7:0]							

Please refer to the figure in register 0xA6.

**Address= 8'hB0**

Mixer Output partition Coordinate							
7-bit	6-bit	5-bit	4-bit	3-bit	2-bit	1-bit	0-bit
8'hF0							
COR_Y3[7:0]							

Please refer to the figure in register 0xA6.

**Address= 8'hB1**

Mixer Output partition Coordinate							
7-bit	6-bit	5-bit	4-bit	3-bit	2-bit	1-bit	0-bit
0	3'h1			0	3'h2		
COR_YBR[10:8]				COR_XBR[10:8]			

**COR\_XBR[9:0]:** X coordinate of partition 0 Bottom-Right point. Default 720.

**COR\_YBR[9:0]:** Y coordinate of partition 0 Bottom-Right point. Default 480.

**Address= 8'hB2**

Mixer Out Region End Point Config 2							
7-bit	6-bit	5-bit	4-bit	3-bit	2-bit	1-bit	0-bit
8'hD0							
COR_XBR[7:0]							

**Address= 8'hB3**

Mixer Out Region End Point Config 3							
7-bit	6-bit	5-bit	4-bit	3-bit	2-bit	1-bit	0-bit
8'hE0							
COR_YBR[7:0]							

**Address= 8'hB8**

Mixer channel Enable							
7-bit	6-bit	5-bit	4-bit	3-bit	2-bit	1-bit	0-bit
0	0	0	0	0	0	0	0
SWVLDI N3	SWVLDI N2	SWVLDI N1	SWVLDI N0	CHEN3	CHEN2	CHEN1	CHEN0

According to OUTSEL\_0, set related channel enable signal.

**CHEN0:** Set 1, channel 0 enable.

**CHEN1:** Set 1, Channel 1 enable.

**CHEN2:** Set 1, Channel 2 enable.

**CHEN3:** Set 1, Channel 3 enable.

**SWVLDINX:** Set 1, it will disable auto PAL/NTSC mode detect function in video capture interface X and bypass input CCIR656 signal to the mixer as valid signal.

**Address= 8'hB9**

Channel Select							
7-bit	6-bit	5-bit	4-bit	3-bit	2-bit	1-bit	0-bit
0	3'h1			0	3'h0		
	CHSEL_1				CHSEL_0		

**CHSEL\_0**: select 1 out of 8 video sources for channel 0.

**CHSEL\_1**: select 1 out of 8 video sources for channel 1.

**Address= 8'hBA**

Channel Select							
7-bit	6-bit	5-bit	4-bit	3-bit	2-bit	1-bit	0-bit
0	3'h3			0	3'h2		
	CHSEL_3				CHSEL_2		

**CHSEL\_2**: select 1 out of 8 video sources for channel 2.

**CHSEL\_3**: select 1 out of 8 video sources for channel 3.

CHSEL_X	3'h0	3'h1	3'h2	3'h3	3'h4	3'h5	3'h6	3'h7
<b>MUXOUT</b>	Analog CVBS0	Analog CVBS1	Analog CVBS2	Analog CVBS3	Digital ITDM CHID: 0	Digital ITDM CHID: 1	Digital ITDM CHID: 2	Digital ITDM CHID: 3

**Address= 8'hBD**

Mirror							
7-bit	6-bit	5-bit	4-bit	3-bit	2-bit	1-bit	0-bit
0	0	0	0	0	0	0	0
H_3_R	H_3_L	H_1_R	H_1_L	INV_H3	INV_H2	INV_H1	INV_H0

**INV\_H0**: enable channel 0 mirror function. (Only valid in SD mode)

**INV\_H1**: enable channel 1 mirror function. (Only valid in SD mode)

**INV\_H2**: enable channel 2 mirror function. (Only valid in SD mode)

**INV\_H3**: enable channel 3 mirror function. (Only valid in SD mode)

**H\_X\_L**: only valid in SD OUTSEL\_0=4'h3 (H partition)

when 1. channel/partition X will crop original video Left 1/4 image.

**H\_X\_R**: only valid in SD OUTSEL\_0=4'h3 (H partition)

when 1. channel/partition X will crop original video Right 1/4 image.

{H\_X\_R,H\_X\_L}=2'b1x, output Right 1/4 original image

=2'b01, output Left 1/4 original image

=2'b00, perform 1/4 horizontal downscaling from original image.

**Address= 8'hBE**

SW force Progressive Input format							
7-bit	6-bit	5-bit	4-bit	3-bit	2-bit	1-bit	0-bit
0	0	0	0	0	0	0	0
				SWPRGI N_3	SWPRGI N_2	SWPRGI N_1	SWPRGI N_0

**SWPRGIN0**: Take channel 0 video as progressive video, in spite of field flag.

**SWPRGIN1**: Take channel 1 video as progressive video, in spite of field flag.

**SWPRGIN2**: Take channel 2 video as progressive video, in spite of field flag.

**SWPRGIN3**: Take channel 3 video as progressive video, in spite of field flag.

**Address= 8'hBF**

SDRAM Burst Length Config							
7-bit	6-bit	5-bit	4-bit	3-bit	2-bit	1-bit	0-bit
0	0	0	0	0	0	0	0
				BRLEN OPT3	BRLEN OPT2	BRLEN OPT1	BRLEN OPT0

**BRLENOP0**: Channel 0 SDRAM burst length option.

**BRLENOP1**: Channel 1 SDRAM burst length option.

**BRLENOP2**: Channel 2 SDRAM burst length option.



**BRLENOP3:** Channel 3 SDRAM burst length option.

**BRLENOPTX:** When 1: SDRAM burst length = 1/2 of channel partition length

When 0: SDRAM burst length = 1/4 of channel partition length

If partition length is NOT a multiple of 4, set BRLENOPTX to 1.

**Address= 8'hC0**

Detected Valid Enable							
7-bit	6-bit	5-bit	4-bit	3-bit	2-bit	1-bit	0-bit
0	0	0	0	1	1	1	1
				WDOGE N_3	WDOGE N_2	WDOGE N_1	WDOGE N_0

**WDOGEN\_0:** channel 0 capture interface watch dog enable.

**WDOGEN\_1:** channel 1 capture interface watch dog enable.

**WDOGEN\_2:** channel 2 capture interface watch dog enable.

**WDOGEN\_3:** channel 3 capture interface watch dog enable.

When 1, enable channel watch dog counter. Watch dog counter will counts up until capture interface detect valid video. When watch dog counter reaches a certain of time (refer WDOGCNT\_x), channel detection flag will be cleared (NOVID\_x clear to 1)

**Address= 8'hC1**

Detected Valid Config 1							
7-bit	6-bit	5-bit	4-bit	3-bit	2-bit	1-bit	0-bit
4'h0				4'h0			
WDOGCNT_1				WDOGCNT_0			

**WDOGCNT\_0:** channel 0 watch dog timer time out option.

**WDOGCNT\_1:** channel 1 watch dog timer time out option.

When watch dog count over  $(WDOGCNT\_x+1) * 378ms$ , watch dog counter time out asserted.

**Address= 8'hC2**

Detected Valid Config 2							
7-bit	6-bit	5-bit	4-bit	3-bit	2-bit	1-bit	0-bit
4'h0				4'h0			
WDOGCNT_3				WDOGCNT_2			

**WDOGCNT\_2:** channel 2 watch dog timer time out option.

**WDOGCNT\_3:** channel 3 watch dog timer time out option.

**Address= 8'hC3**

CCIRIN_0 CROP START							
7-bit	6-bit	5-bit	4-bit	3-bit	2-bit	1-bit	0-bit
0	0	0	5'h0				
				CROPLEN_0			

**CROPLEN\_0:** channel 0 capture interface cropping start point.

**Address= 8'hC4**

CCIRIN_1 CROP START								
7-bit	6-bit	5-bit	4-bit	3-bit	2-bit	1-bit	0-bit	
0	0	0	5'h0					
			CROPLEN_1					

**CROPLEN\_1:** channel 1 capture interface cropping start point.

**Address= 8'hC5**

CCIRIN_2 CROP START								
7-bit	6-bit	5-bit	4-bit	3-bit	2-bit	1-bit	0-bit	
0	0	0	5'h0					
			CROPLEN_2					

**CROPLEN\_2:** channel 2 capture interface cropping start point.

**Address= 8'hC6**

CCIRIN_3 CROP START								
7-bit	6-bit	5-bit	4-bit	3-bit	2-bit	1-bit	0-bit	
0	0	0	5'h0					
			CROPLEN_3					

**CROPLEN\_3:** channel 3 capture interface cropping start point.

**Address= 8'hC8**

Mixer Channel Status							
7-bit	6-bit	5-bit	4-bit	3-bit	2-bit	1-bit	0-bit
				1	1	1	1
				NOVID_3	NOVID_2	NOVID_1	NOVID_0

**NOVID\_0:** 0 indicates valid channel 0 video detected. (RO)

**NOVID\_1:** 0 indicates valid channel 1 video detected. (RO)

**NOVID\_2:** 0 indicates valid channel 2 video detected. (RO)

**NOVID\_3:** 0 indicates valid channel 3 video detected. (RO)

**Address= 8'hCB**

Capture Interface 0 Status							
7-bit	6-bit	5-bit	4-bit	3-bit	2-bit	1-bit	0-bit
0	0	0	0	0	0	0	0
				L525_D ET_0	L625_D ET_0	H720_D ET_0	

RO.

**H720\_DET\_X:** 1 indicates 720H video detected. (RO)

**L625\_DET\_X:** 1 indicates PAL (625 line) video detected. (RO)

**L525\_DET\_X:** 1 indicates NTSC (525 line) video detected. (RO)

**Address= 8'hCC**

Capture Interface 1 Status							
7-bit	6-bit	5-bit	4-bit	3-bit	2-bit	1-bit	0-bit
0	0	0	0	0	0	0	0
				L525_D ET_1	L625_D ET_1	H720_D ET_1	

RO.

**Address= 8'hCD**

Capture Interface 2 Status							
7-bit	6-bit	5-bit	4-bit	3-bit	2-bit	1-bit	0-bit
0	0	0	0	0	0	0	0
				L525_D ET_2	L625_D ET_2	H720_D ET_2	

RO.

**Address= 8'hCE**

Capture Interface 3 Status							
7-bit	6-bit	5-bit	4-bit	3-bit	2-bit	1-bit	0-bit
0	0	0	0	0	0	0	0
				L525_D ET_3	L625_D ET_3	H720_D ET_3	

RO.

**Address= 8'hCF**

SDRAM CLK Option							
7-bit	6-bit	5-bit	4-bit	3-bit	2-bit	1-bit	0-bit
0	0	0	0	4'h0			
SDRCL KINV				DLYMUX_SDRCLK			

**DLYMUX\_SDRCLK:** Adjust the SDRAM clk delay timing.

Please refer to the following table for the delay time.

<b>DLYMUX SDRCLK</b>	<b>4'h0</b>	<b>4'h1</b>	<b>4'h2</b>	<b>4'h3</b>	<b>4'h4</b>	<b>4'h5</b>	<b>4'h6</b>	<b>4'h7</b>
<b>Delay Time(ns)</b>	0	0.35	1.01	1.39	2.03	2.38	3.09	3.42
<b>DLYMUX SDRCLK</b>	<b>4'h8</b>	<b>4'h9</b>	<b>4'hA</b>	<b>4'hB</b>	<b>4'hC</b>	<b>4'hD</b>	<b>4'hE</b>	<b>4'hF</b>
<b>Delay Time(ns)</b>	4.07	4.44	5.07	5.42	6.09	6.43	7.04	7.34

**SDRCLKINV:** Set 1, inverse the SDRAM clk for adjusted timing.

**Address= 8'hD0**

SDRAM Config 0							
7-bit	6-bit	5-bit	4-bit	3-bit	2-bit	1-bit	0-bit
8'h0							
MODEREG[7:0]							

Address= 8'hD1

SDRAM Config 1							
7-bit	6-bit	5-bit	4-bit	3-bit	2-bit	1-bit	0-bit
3'h0			5'h0				
COLSIZEOPT			MODEREG[12:8]				

**MODEREG:** The setting of Mode Register for SDRAM.

MODEREG	12	11	10	9	8	7	6	5	4	3	2	1	0
Function	RFU*			WBL	Test Mode		CAS Latency		BT	Burst Length			

\*Note: RFU(Reserved for future use) should stay "0" during MRS cycle.

Burst Length: MODEREG[2:0]

This table specifies the data length of column access using the MODEREG[2:0] and selects the Burst Length to be 1, 2, 4, 8, or full page.

Burst Length	2	1	0
1	0	0	0
2	0	0	1
4	0	1	0
8	0	1	1
Reserved	1	0	0
Reserved	1	0	1
Reserved	1	1	0
Full Page	1	1	1

BT(Burst Type): MODEREG[3]

Burst Type can be one of two modes, Interleave Mode or Sequential Mode.

0: Sequential, 1: Interleave.

CAS Latency: MODEREG[6:4]

This table specifies the number of clock cycles from the assertion of the Read command to the first read data.

CAS Latency	6	5	4
Reserved	0	0	0
Reserved	0	0	1

2 clocks	0	1	0
3 clocks	0	1	1
Reserved	1	X	X

Test Mode: MODEREG[8:7]

These two bits must be programmed to 2'h0 in normal operation.

WBL(Write Burst Length): MODEREG[9]

This bit is used to select the write burst mode.

WBL	Write Burst Mode
0	Burst-Read-Burst-Write
1	Burst-Read-Single-Write

**COLSIZEOPT:** Set the SDRAM size (64MB or 128MB).

3'b000: Reserved for future use

3'b001: Reserved for future use

3'b010: 16bit, 128MB

3'b1xx: 16bit, 64MB

**Recommend settings:**

	64MB	128MB
<b>CSR settings</b>	REGD0: 8'h37 REGD1: 8'hE0	REGD0: 8'h37 REGD1: 8'h40

**Address= 8'hD2**

SDRAM Config 2							
7-bit	6-bit	5-bit	4-bit	3-bit	2-bit	1-bit	0-bit
0	0	0	0	0	0	0	0
SDRCLKZOPT	SDRWINIOPT	RWGOOD	SDRTSTRDY	SDR32MD	SDRTST	AUTOPRECHARGEOPT	SELFRESH



**AUTOPRECHARGEOPT:** SDRAM auto pre-charge.

**SDRTST:** SDRAM self-test enable.

**SDRTSTRDY:** (RO), In SDRAM self test mode, 1: Test ready, 0: Test still not ready.

**RWGOOD:** (RO), In SDRAM self test mode, 1: Good, 0: No Good

**SDRCLKZOPT:** SDRAM operated option. (Set 1 when at HD mode)

**Address= 8'hD3**

Blue Panel Y Config							
7-bit	6-bit	5-bit	4-bit	3-bit	2-bit	1-bit	0-bit
8'h29							
NOVID_Y_REG							

**Blue Panel:** Luminance(Y) value, default Blue color

**Address= 8'hD4**

Blue Panel CB Config							
7-bit	6-bit	5-bit	4-bit	3-bit	2-bit	1-bit	0-bit
8'hF0							
NOVID_CB_REG							

**Blue Panel:** Chrominance (Cb) value, default Blue color

**Address= 8'hD5**

Blue Panel CR Config							
7-bit	6-bit	5-bit	4-bit	3-bit	2-bit	1-bit	0-bit
8'h6E							
NOVID_CR_REG							

**Blue Panel:** Chrominance (Cr) value, default Blue color

**Address= 8'hD6**

Split Line Y							
7-bit	6-bit	5-bit	4-bit	3-bit	2-bit	1-bit	0-bit
8'hEB							
PAD_Y							

**Mixer Output Split Line:** Luminance(Y) value, default white color

**Address= 8'hD7**

Split Line CB							
7-bit	6-bit	5-bit	4-bit	3-bit	2-bit	1-bit	0-bit
8'h80							
PAD_CB							

**Mixer Output Split Line:** Chrominance (Cb) value, default white color

**Address= 8'hD8**

Split Line CR							
7-bit	6-bit	5-bit	4-bit	3-bit	2-bit	1-bit	0-bit
<b>8'h80</b>							
<b>PAD_CR</b>							

**Mixer Output Split Line:** Chrominance (Cr) value, default white color

## Mixer OUTSEL Configuration Table

SEL	Type	NTSC 720	PAL 720
<b>SD Mode</b>			
<b>0</b>	0	w c0 a3 02	w c0 a3 02
	1	w c0 a4 02	w c0 a4 02
	2	w c0 a5 d0	w c0 a5 d0
	3	w c0 a6 0f	w c0 a6 0f
		w c0 a7 10	w c0 a7 10
		w c0 a8 00	w c0 a8 00
		w c0 a9 00	w c0 a9 00
		w c0 aa 68	w c0 aa 68
		w c0 ab 00	w c0 ab 00
		w c0 ac 10	w c0 ac 54
		w c0 ad 00	w c0 ad 00
		w c0 ae F0	w c0 ae 20
		w c0 af 68	w c0 af 68
		w c0 b0 F0	w c0 b0 20
		w c0 b1 12	w c0 b1 22
		w c0 b2 D0	w c0 b2 D0
	w c0 b3 E0	w c0 b3 40	

<p style="text-align: center;"><b>1</b></p>	<table border="1" style="margin: auto;"> <tr> <td style="text-align: center;">0</td> </tr> <tr> <td style="text-align: center;">1</td> </tr> </table>	0	1	<p>w c0 a3 02</p> <p>w c0 a4 02</p> <p>w c0 a5 d0</p> <p>w c0 a6 03</p> <p>w c0 a7 00</p> <p>w c0 a8 00</p> <p>w c0 a9 00</p> <p>w c0 aa 00</p> <p>w c0 ab F0</p> <p>w c0 b1 12</p> <p>w c0 b2 D0</p> <p>w c0 b3 E0</p>	<p>w c0 a3 02</p> <p>w c0 a4 02</p> <p>w c0 a5 d0</p> <p>w c0 a6 03</p> <p>w c0 a7 40</p> <p>w c0 a8 00</p> <p>w c0 a9 00</p> <p>w c0 aa 00</p> <p>w c0 ab 20</p> <p>w c0 b1 22</p> <p>w c0 b2 D0</p> <p>w c0 b3 40</p>	
0						
1						
<p style="text-align: center;"><b>2</b></p>	<table border="1" style="margin: auto;"> <tr> <td style="text-align: center;">0</td> </tr> <tr> <td style="text-align: center;">1</td> <td style="text-align: center;">2</td> </tr> </table>	0	1	2	<p>w c0 a3 02</p> <p>w c0 a4 02</p> <p>w c0 a5 d0</p> <p>w c0 a6 07</p> <p>w c0 a7 00</p> <p>w c0 a8 00</p> <p>w c0 a9 00</p> <p>w c0 aa 00</p> <p>w c0 ab F0</p> <p>w c0 ac 01</p> <p>w c0 ad 68</p> <p>w c0 ae F0</p> <p>w c0 b1 12</p> <p>w c0 b2 D0</p> <p>w c0 b3 E0</p>	<p>w c0 a3 02</p> <p>w c0 a4 02</p> <p>w c0 a5 d0</p> <p>w c0 a6 07</p> <p>w c0 a7 40</p> <p>w c0 a8 00</p> <p>w c0 a9 00</p> <p>w c0 aa 00</p> <p>w c0 ab 20</p> <p>w c0 ac 05</p> <p>w c0 ad 68</p> <p>w c0 ae 20</p> <p>w c0 b1 22</p> <p>w c0 b2 D0</p> <p>w c0 b3 40</p>
0						
1	2					

<p style="text-align: center;"><b>3</b></p>	<table border="1" style="margin: auto;"> <tr> <td style="text-align: center;">1</td> <td style="text-align: center;">0</td> <td style="text-align: center;">3</td> </tr> <tr> <td></td> <td style="text-align: center;">2</td> <td></td> </tr> </table>	1	0	3		2		<p>w c0 a3 02</p> <p>w c0 a4 02</p> <p>w c0 a5 d0</p> <p>w c0 a6 0f</p> <p>w c0 a7 00</p> <p>w c0 a8 B4</p> <p>w c0 a9 00</p> <p>w c0 aa 00</p> <p>w c0 ab 00</p> <p>w c0 ac 20</p> <p>w c0 ad B4</p> <p>w c0 ae F0</p> <p>w c0 af 1C</p> <p>w c0 b0 00</p> <p>w c0 b1 12</p> <p>w c0 b2 D0</p> <p>w c0 b3 E0</p>	<p>w c0 a3 02</p> <p>w c0 a4 02</p> <p>w c0 a5 d0</p> <p>w c0 a6 0f</p> <p>w c0 a7 00</p> <p>w c0 a8 B4</p> <p>w c0 a9 00</p> <p>w c0 aa 00</p> <p>w c0 ab 00</p> <p>w c0 ac 24</p> <p>w c0 ad B4</p> <p>w c0 ae 20</p> <p>w c0 af 1C</p> <p>w c0 b0 00</p> <p>w c0 b1 22</p> <p>w c0 b2 D0</p> <p>w c0 b3 40</p>
1	0	3							
	2								
<p style="text-align: center;"><b>4</b></p>	<table border="1" style="margin: auto;"> <tr> <td style="text-align: center;">0</td> </tr> </table>	0	<p>w c0 a3 02</p> <p>w c0 a4 02</p> <p>w c0 a5 d0</p> <p>w c0 a6 01</p> <p>w c0 a7 00</p> <p>w c0 a8 00</p> <p>w c0 a9 00</p> <p>w c0 b1 12</p> <p>w c0 b2 D0</p> <p>w c0 b3 E0</p>	<p>w c0 a3 02</p> <p>w c0 a4 02</p> <p>w c0 a5 d0</p> <p>w c0 a6 01</p> <p>w c0 a7 00</p> <p>w c0 a8 00</p> <p>w c0 a9 00</p> <p>w c0 b1 22</p> <p>w c0 b2 D0</p> <p>w c0 b3 40</p>					
0									

<b>5</b>	<table border="1" style="margin: auto;"> <tr> <td style="width: 30px; height: 30px; text-align: center;">0</td> <td style="width: 30px; height: 30px; text-align: center;">1</td> </tr> </table>		0	1	w c0 a3 02	w c0 a3 02		
	0	1						
			w c0 a4 02	w c0 a4 02				
			w c0 a5 d0	w c0 a5 d0				
			w c0 a6 03	w c0 a6 03				
			w c0 a7 10	w c0 a7 10				
			w c0 a8 00	w c0 a8 00				
			w c0 a9 00	w c0 a9 00				
			w c0 aa 68	w c0 aa 68				
			w c0 ab 00	w c0 ab 00				
			w c0 b1 12	w c0 b1 22				
			w c0 b2 D0	w c0 b2 D0				
			w c0 b3 E0	w c0 b3 40				
<b>HD Mode</b>								
<b>8</b>	<table border="1" style="margin: auto;"> <tr> <td style="width: 30px; height: 30px; text-align: center;">0</td> <td style="width: 30px; height: 30px; text-align: center;">1</td> </tr> <tr> <td style="width: 30px; height: 30px; text-align: center;">2</td> <td style="width: 30px; height: 30px; text-align: center;">3</td> </tr> </table>		0	1	2	3	w c0 a6 0f	w c0 a6 0f
	0	1						
	2	3						
			w c0 a7 20	w c0 a7 20				
			w c0 a8 00	w c0 a8 00				
			w c0 a9 00	w c0 a9 00				
			w c0 aa D0	w c0 aa D0				
			w c0 ab 00	w c0 ab 00				
			w c0 ac 64	w c0 ac A8				
			w c0 ad 00	w c0 ad 00				
			w c0 ae E0	w c0 ae 1C				
			w c0 af D0	w c0 af D0				
			w c0 b0 E0	w c0 b0 1C				
		w c0 b1 35	w c0 b1 45					
		w c0 b2 A0	w c0 b2 A0					
		w c0 b3 C0	w c0 b3 38					

8	<table border="1" style="margin-left: auto; margin-right: auto;"> <tr> <td style="text-align: center;">0</td> <td style="text-align: center;">1</td> </tr> <tr> <td style="text-align: center;">2</td> <td style="text-align: center;">3</td> </tr> </table> <p style="text-align: center;">PAL EXT</p>	0	1	2	3		<p>w c0 a6 0f</p> <p>w c0 a7 20</p> <p>w c0 a8 00</p> <p>w c0 a9 00</p> <p>w c0 aa D0</p> <p>w c0 ab 00</p> <p>w c0 ac A8</p> <p>w c0 ad 00</p> <p>w c0 ae 40</p> <p>w c0 af D0</p> <p>w c0 b0 40</p> <p>w c0 b1 45</p> <p>w c0 b2 A0</p> <p>w c0 b3 80</p>
0	1						
2	3						



## Electrical Specifications

### Absolute Maximum Ratings Over Operating Free-Air Temperature Range

Supply voltage range	
IOV <sub>DD</sub> to DGND	-0.5V to 4.6V
DV <sub>DD</sub> to DGND	-0.5V to 2.5V
PLL_AV <sub>DD</sub> to PLL_AGND	-0.5V to 2.5V
CH1_AV <sub>DD</sub> to CH1_AGND	-0.5V to 2.5V

Digital input voltage range, V <sub>I</sub> to DGND	-0.5V to 4.6V
Input voltage range, XTAL1 to PLL_GND	-0.5V to 2.5V
Analog input voltage range A <sub>I</sub> to CH1_AGND	-0.2V to 2.0V
Digital Output voltage range, V <sub>O</sub> to DGND	-0.5V to 4.6V
Operating free-air temperature, T <sub>A</sub>	-65°C to 150°C

**Recommended Operating Conditions**

		<b>MIN</b>	<b>TYP</b>	<b>MAX</b>	<b>UNIT</b>
IODV <sub>DD</sub>	Digital I/O supply voltage	2.97	3.3	3.63	V
DV <sub>DD</sub>	Digital supply voltage	1.62	1.8	1.98	V
PLL_AV <sub>DD</sub>	Analog PLL supply voltage	1.62	1.8	1.98	V
CH1_AV <sub>DD</sub>	Analog core supply voltage	1.7	1.8	1.9	V
V <sub>I(P-P)</sub>	Analog input voltage (ac-coupling necessary)	0.25		1.0	V
Audio V <sub>I(P-P)</sub>	Analog input voltage (ac-coupling necessary)		1.5		
V <sub>IH</sub>	Digital input voltage high	2		5	V
V <sub>IL</sub>	Digital input voltage low	-0.3		0.8	V
V <sub>IH_XTAL</sub>	XTAL input voltage high	0.7 PLL_AV <sub>DD</sub>			V
V <sub>IL_XTAL</sub>	XTAL input voltage low			0.3 PLL_AV <sub>DD</sub>	V
I <sub>OH</sub>	High-level output current			2	mA
I <sub>OL</sub>	Low-level output current			-2	mA
I <sub>OH_SCLK</sub>	SCLK high-level output current			4	mA
I <sub>OL_SCLK</sub>	SCLK low-level output current			-4	mA
T <sub>A</sub>	Operating free-air temperature	-40		85	°C

### Crystal Specifications

CRYSTAL SPECIFICATIONS	MIN	NOM	MAX	UNIT
Frequency		27.0/36.0		MHz
Frequency tolerance		±100		ppm

### Electrical Characteristics

$V_{DD} = 1.8\text{ V}$ ,  $PLL\_AV_{DD} = 1.8\text{ V}$ ,  $CH1\_AV_{DD} = 1.8\text{ V}$ ,  $IOV_{DD} = 3.3\text{ V}$

For minimum/maximum values:  $T_A = -40^\circ\text{C}$  to  $85^\circ\text{C}$ , and for typical values:  $T_A = 25^\circ\text{C}$  unless otherwise noted

### DC Electrical Characteristics

PARAMETER	TEST CONDITIONS (see NOTE 1)	MIN	TYP	MAX	UNIT
$I_{DD(IO\_D)}$ Digital I/O supply current	Color bar input		31.2	66.7	mA
$I_{DD(D)}$ Digital core supply current	Color bar input		212	297	mA
$I_{DD(PLL\_A)}$ Analog PLL supply current			12		
$I_{DD(CH1\_A)}$ IDD(A) Analog ADC/DAC supply current	Color bar input		99.3		mA
$P_{TOT}$ Total power dissipation, normal mode	Color bar input		684.5	952.3	mW
$P_{DOWN}$ Total power dissipation, power-down mode	Color bar input			15.3	mW
$C_i$ Input capacitance	By design		8		pF
$V_{OH}$ Output voltage high	$I_{OH} = 2\text{ mA}$	0.8 $IOV_{DD}$			V
$V_{OL}$ Output voltage low	$I_{OL} = -2\text{ mA}$			0.22 $IOV_{DD}$	V
$V_{OH\_SCLK}$ SCLK output voltage high	$I_{OH} = 4\text{ mA}$	2.3			V
$V_{OL\_SCLK}$ SCLK output voltage low	$I_{OL} = -2\text{ mA}$			0.6	V
$I_{IH}$ High-level input current	$V_I = V_{IH}$			±50	μA
$I_{IL}$ Low-level input current	$V_I = V_{IL}$			±50	μA

NOTE 1: Measured with a load of 15 pf.

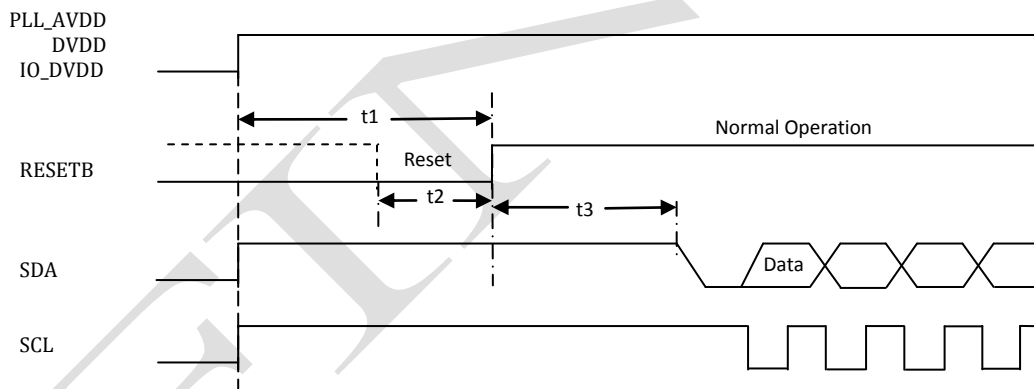
## Analog Processing and A/D Converters

PARAMETER	TEST CONDITIONS	MIN	TYP	MAX	UNIT
$Z_i$ Input impedance, analog video inputs	By design	500			$k\Omega$
$C_i$ Input capacitance, analog video inputs	By design		10		pF
$V_{i(pp)}$ Input voltage range *	$C_{coupling} = 0.1 \mu F$	0.25		1	V
$\Delta G$ Gain control range			12		dB
DNL DC differential non-linearity	A/D only		$\pm 2$		LSB
INL DC integral non-linearity	A/D only		$\pm 3$		LSB
$F_r$ Frequency response	6 MHz		-0.9	-3	dB
SNR Signal-to-noise ratio	6 MHz, 1.0 Vp-p		50		dB
NS Noise spectrum	50% flat field		50		dB
DP Differential phase			1.5		$^\circ$
DG Differential gain			0.5%		

\* The 0.75-V maximum applies to the sync-chroma amplitude, not sync-white. The recommended termination resistors are 37.4  $\Omega$ .

## Timing

### Power-on Reset Timing



NO.	PARAMETER	MIN	MAX	UNIT
t1	Delay time between power supplies active and reset	20	-	ms
t2	RESETB pulse duration	500	-	ns
t3	Delay time between end of reset to I <sup>2</sup> C active	500	-	ns

**Clocks, Video Data, Sync timing**

Data Format : CCIR656 output					
PARAMETER	SYMBOL	MIN	TYP	MAX	UNIT
PIXCLK High pulse duration	$t_{hw}$	18.5			ns
PIXCLK Low pulse duration	$t_{lw}$	18.5			ns
CCIR656 data out setup time	$t_{su}$	18.5			ns
CCIR656 data out hold time	$t_h$	18.5			ns

Output:CCIR656

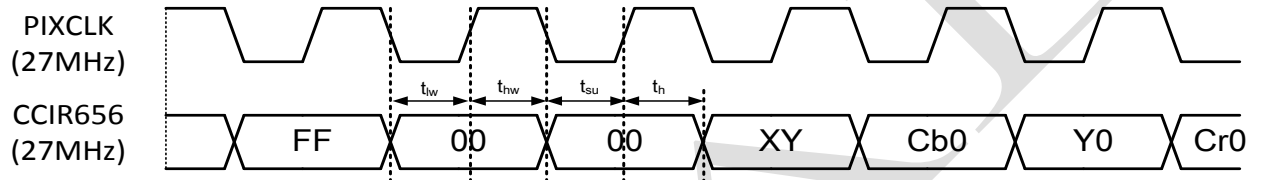
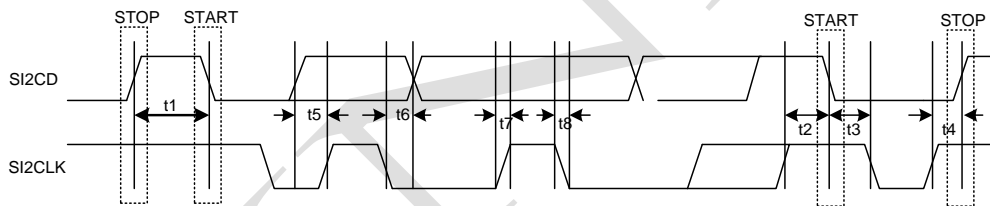


Figure 3-2 . Clocks, CCIR656 Output Data Timing

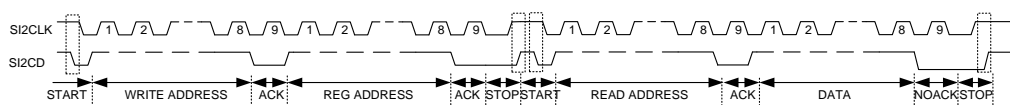
Data Format : CCIR656 input					
PARAMETER	SYMBOL	MIN	TYP	MAX	UNIT
PIXCLK High pulse duration	$t_{hw}$	18.5			ns
PIXCLK Low pulse duration	$t_{lw}$	18.5			ns
CCIR656 data out setup time	$t_{su}$	18.5			ns
CCIR656 data out hold time	$t_h$	18.5			ns

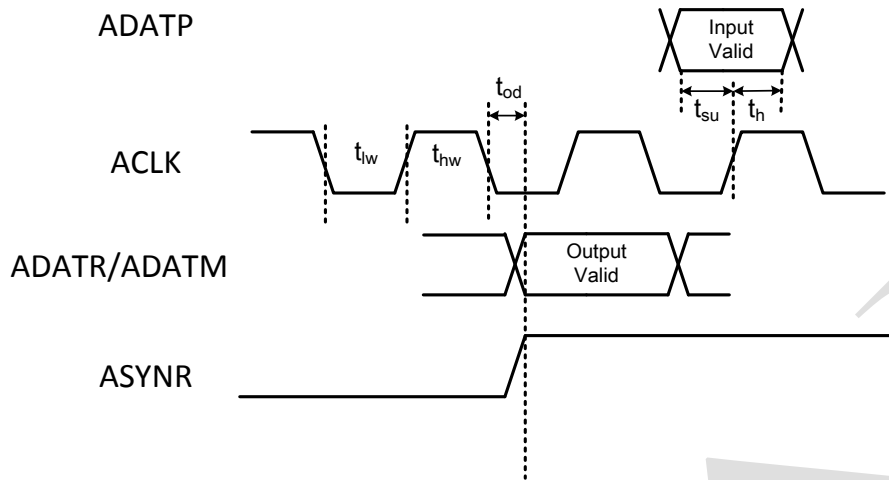
**I<sup>2</sup>C Host Port Timing**

PARAMETER	TEST CONDITIONS	MIN	TYP	MAX	UNIT
<b>t<sub>1</sub></b> Bus free time between STOP and START		1.3			μS
<b>t<sub>2</sub></b> Setup time for a (repeated) START condition		0.6			μS
<b>t<sub>3</sub></b> Hold time (repeated) START condition		0.6			μS
<b>t<sub>4</sub></b> Setup time for STOP condition		0.6			μS
<b>t<sub>5</sub></b> Data setup time		200			ns
<b>t<sub>6</sub></b> Data hold time		0		50	ns
<b>t<sub>7</sub></b> Rise time I2CD and I2CLK signal		250			ns
<b>t<sub>8</sub></b> Fall time I2CD and I2CLK signal			250		ns
<b>C<sub>b</sub></b> Capacitive load for each bus line				120	pF
<b>f<sub>I2C</sub></b> I <sup>2</sup> C clock frequency				400	kHz



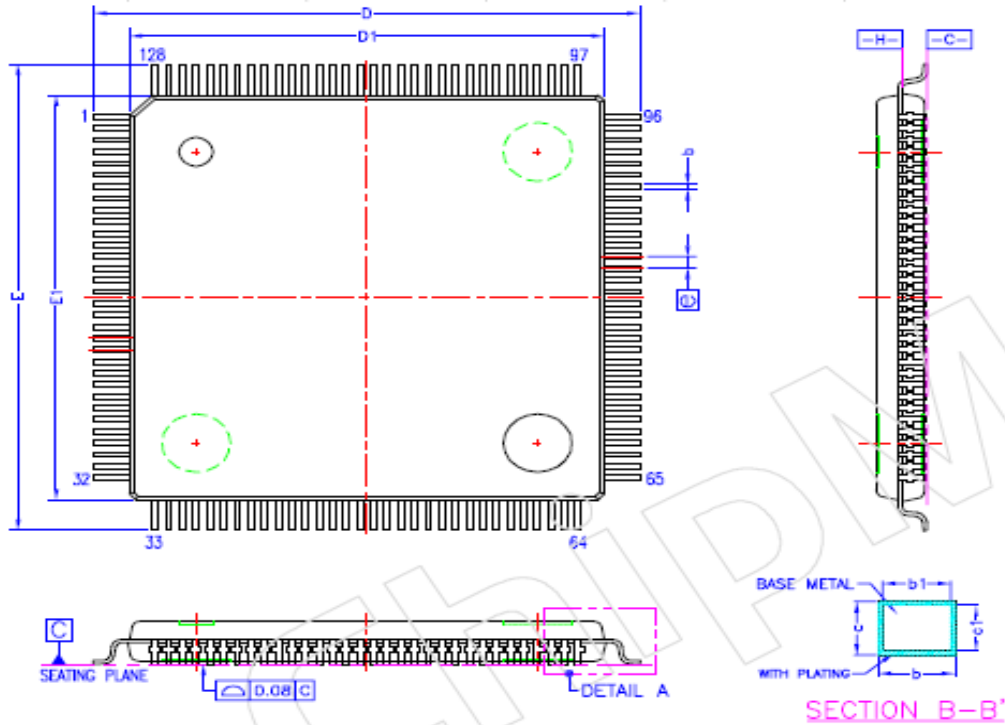
	Write Address	Read Address
SADD[0] Pull low SADD[1] Pull low	C0	C1
SADD[0] Pull high SADD[1] Pull low	C2	C3
SADD[0] Pull low SADD[1] Pull high	C4	C5
SADD[0] Pull high SADD[1] Pull high	C6	C7



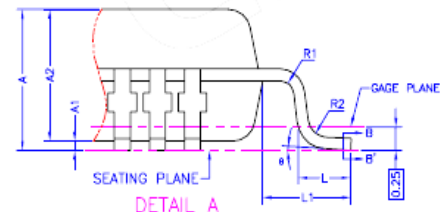
**AC Characteristic of Digital Audio Interface**


		Min	Typ	Max	Unit
<b>tlw</b>	<b>clock low time</b>				ns
<b>thw</b>	<b>clock high time</b>				ns
<b>tod</b>	<b>output delay time</b>				ns
<b>tsu</b>	<b>input setup time</b>				ns
<b>th</b>	<b>input hold time</b>				ns

### Packaging



SYM.	DIMENSION (MM)			DIMENSION (INCH)		
	MIN	NOM	MAX	MIN	NOM	MAX
A	—	—	1.50	—	—	0.053
A1	0.05	0.10	0.15	0.002	0.004	0.006
A2	1.35	1.40	1.45	0.053	0.055	0.057
b	0.13	0.18	0.23	0.005	0.007	0.009
b1	0.13	0.16	0.19	0.005	0.006	0.007
c	0.09	—	0.20	0.004	—	0.008
c1	0.09	0.127	0.16	0.004	0.005	0.008
D	15.90	16.00	16.10	0.625	0.630	0.634
D1	13.90	14.00	14.10	0.547	0.551	0.555
E	15.90	16.00	16.10	0.625	0.630	0.634
E1	13.90	14.00	14.10	0.547	0.551	0.555
Ⓢ	0.40 BSC			0.016 BSC		
L	0.45	0.60	0.75	0.018	0.024	0.030
L1	1.00 REF			0.040 REF		
R1	0.08	—	—	0.003	—	—
R2	0.08	—	0.20	0.003	—	0.008
Ⓢ	0"	3.5"	7"	0"	3.5"	7"



1. REFER TO JEDEC STD. MS-026
2. DIMENSION D AND E ARE DETERMINED AT SEATING PLANE [C-C].
3. DIMENSION D1 AND E1 ARE DETERMINED AT DATUM [H-H].
4. DIMENSION D1 AND E1 DO NOT INCLUDE MOLD PROTRUSION. ALLOWABLE PROTRUSION IS 0.25mm PER SIDE. D1 AND E1 ARE MAXIMUM PLASTIC BODY SIZE DIMENSIONS WHICH INCLUDE MOLD MISMATCH.
5. DIMENSION b DOES NOT INCLUDE DAMBAR PROTRUSION. ALLOWABLE DAMBAR PROTRUSION SHALL NOT CAUSE THE LEAD WIDTH TO EXCEED THE MAXIMUM b DIMENSION BY MORE THAN 0.08mm
6. ALL DIMENSIONS ARE IN MILLIMETERS.



## Ordering Information

Part Number	Pin Count	Package
DM5885EP	128	LQFP (Pb-Free and Halogen-Free)

### Disclaimer

The information appearing in this publication is believed to be accurate. Integrated circuits sold by DAVICOM Semiconductor are covered by the warranty and patent indemnification provisions stipulated in the terms of sale only. DAVICOM makes no warranty, express, statutory, implied or by description regarding the information in this publication or regarding the information in this publication or regarding the freedom of the described chip(s) from patent infringement. FURTHER, DAVICOM MAKES NO WARRANTY OF MERCHANTABILITY OR FITNESS FOR ANY PURPOSE. DAVICOM reserves the right to halt production or alter the specifications and prices at any time without notice. Accordingly, the reader is cautioned to verify that the data sheets and other information in this publication are current before placing orders. Products described herein are intended for use in normal commercial applications. Applications involving unusual environmental or reliability requirements, e.g. military equipment or medical life support equipment, are specifically not recommended without additional processing by DAVICOM for such applications. Please note that

### Contact Windows

For additional information about DAVICOM products, contact the Sales department at:

#### Headquarters

##### Hsin-chu Office:

No.6 Li-Hsin Rd. VI,  
Science-based Industrial Park,  
Hsin-chu City, Taiwan, R.O.C.

TEL: +886-3-5798797

FAX: +886-3-5646929

MAIL: [sales@davicom.com.tw](mailto:sales@davicom.com.tw)

HTTP: <http://www.davicom.com.tw>

#### WARNING

Conditions beyond those listed for the absolute maximum may destroy or damage the products. In addition, conditions for sustained periods at near the limits of the operating ranges will stress and may temporarily (and permanently) affect and damage structure, performance and function.

application circuits illustrated in this document are for reference purposes only.

DAVICOM's terms and conditions printed on the order acknowledgment govern all sales by DAVICOM. DAVICOM will not be bound by any terms inconsistent with these unless DAVICOM agrees otherwise in writing. Acceptance of the buyer's orders shall be based on these terms.

### Company Overview

DAVICOM Semiconductor Inc. develops and manufactures integrated circuits for integration into data communication products. Our mission is to design and produce IC products that are the industry's best value for Data, Audio, Video, and Internet/Intranet applications. To achieve this goal, we have built an organization that is able to develop chipsets in response to the evolving technology requirements of our customers while still delivering products that meet their cost requirements.

### Products

We offer only products that satisfy high performance requirements and which are compatible with major hardware and software standards. Our currently available and soon to be released products are based on our proprietary designs and deliver high quality, high performance chipsets that comply with modem communication standards and Ethernet networking standards.