

# NINGBO KLS ELECTRONIC CO.,LTD

## L-KLS4-CA6-K-V-SMD-XXX-XXX

### (CA6VSMD A100K 6.5MM TRIMMER POTENTIOMETERS)

#### 应用

#### Application

□此规格电位器适用于小电子器材、测量测试设备、  
报警器、开关电讯设备、报警系统等。

-This potentiometer is applied to small electronic appliances, measurement and test equipment, alarms, switches, telecommunication equipment, alarm systems ect.

#### 性能说明(常规) SPECIFICATIONS(standard features)

#### 电气性能 ELECTRICAL SPECIFICATIONS

	Through-hole	SMD
阻值范围 Range of resistance values	100K	
线性	A (Lin)	
阻值误差 Tolerance	100K~120K	
耐电压 Max voltage at 40 °C		
Lin(A)	DC100V	
额定功率 Maximum power dissipation at 40 °C		
Lin(A)	0.10W	
阻值规律 Variation laws	Lin(A)	
残留电阻 Residual resistance	$\leq 5\%R_n(2\Omega \text{ min})$	
平滑性 Equivalent noise resistance	$\leq 3\%R_n(3\Omega \text{ min})$	
正常工作温度 Operating temperature	-25°C ~ +70°C	
焊接温度和时间	温度 temperature $\leq 265^\circ\text{C}$	
Soldering temperature and time	时间 time $\leq 5\text{second}$	

#### 机械性能 MECHANICAL SPECIFICATIONS

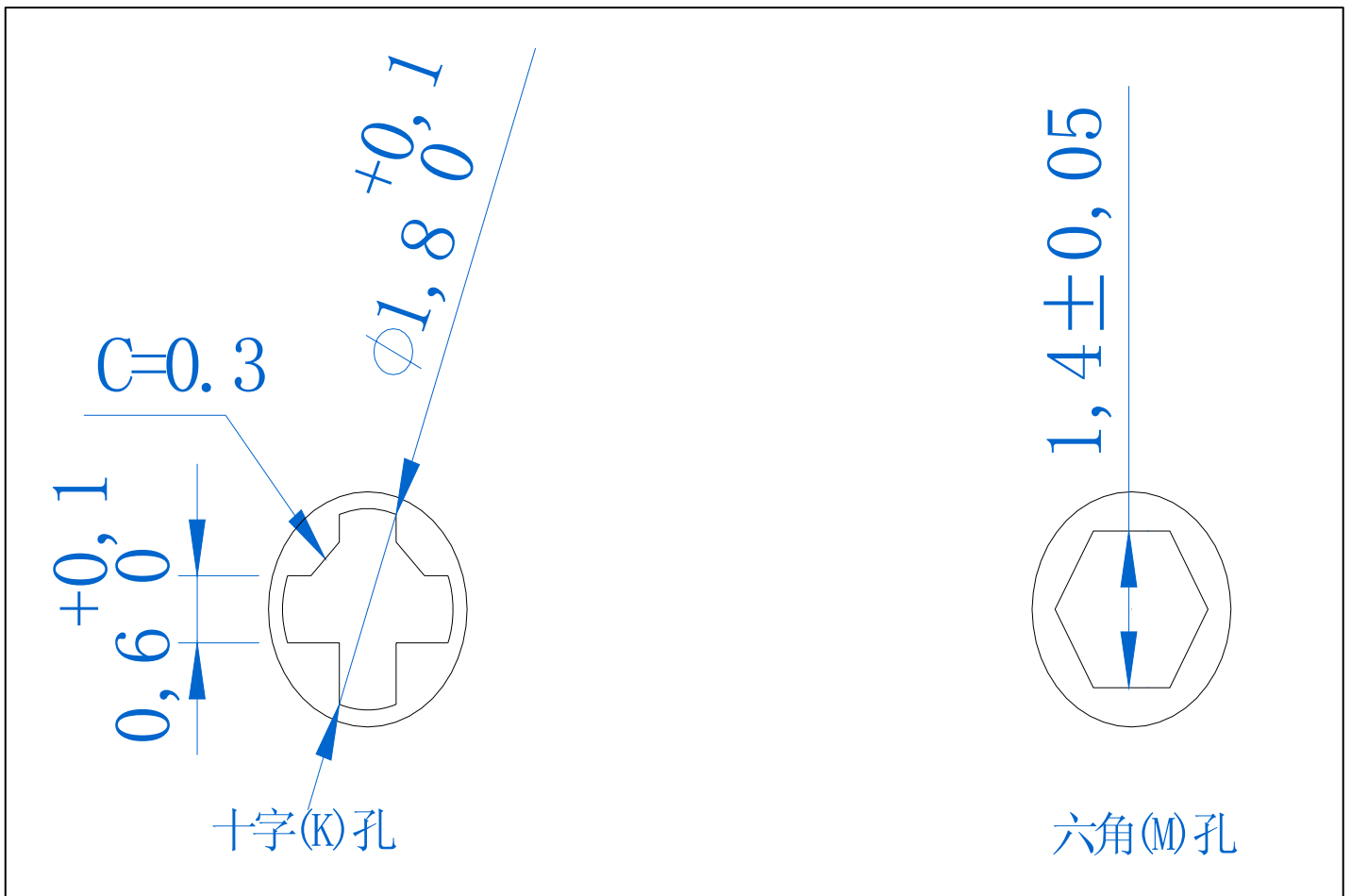
#### Through-Hole and SMD

电阻成分 Resistive element	Carbon technology
------------------------	-------------------

机械旋转角度 Mechanical rotation angle	235° ±10°
电气旋转角度 Electrical rotation angle	215° ±20°
转子最大拉拔力 Max. push/pull on rotor	9.8N
旋转力矩 Wiper torque	<2 cN.m
止档力矩 Stop torque	≥4 cN.m
机械寿命 Mechanical life	10000cycles

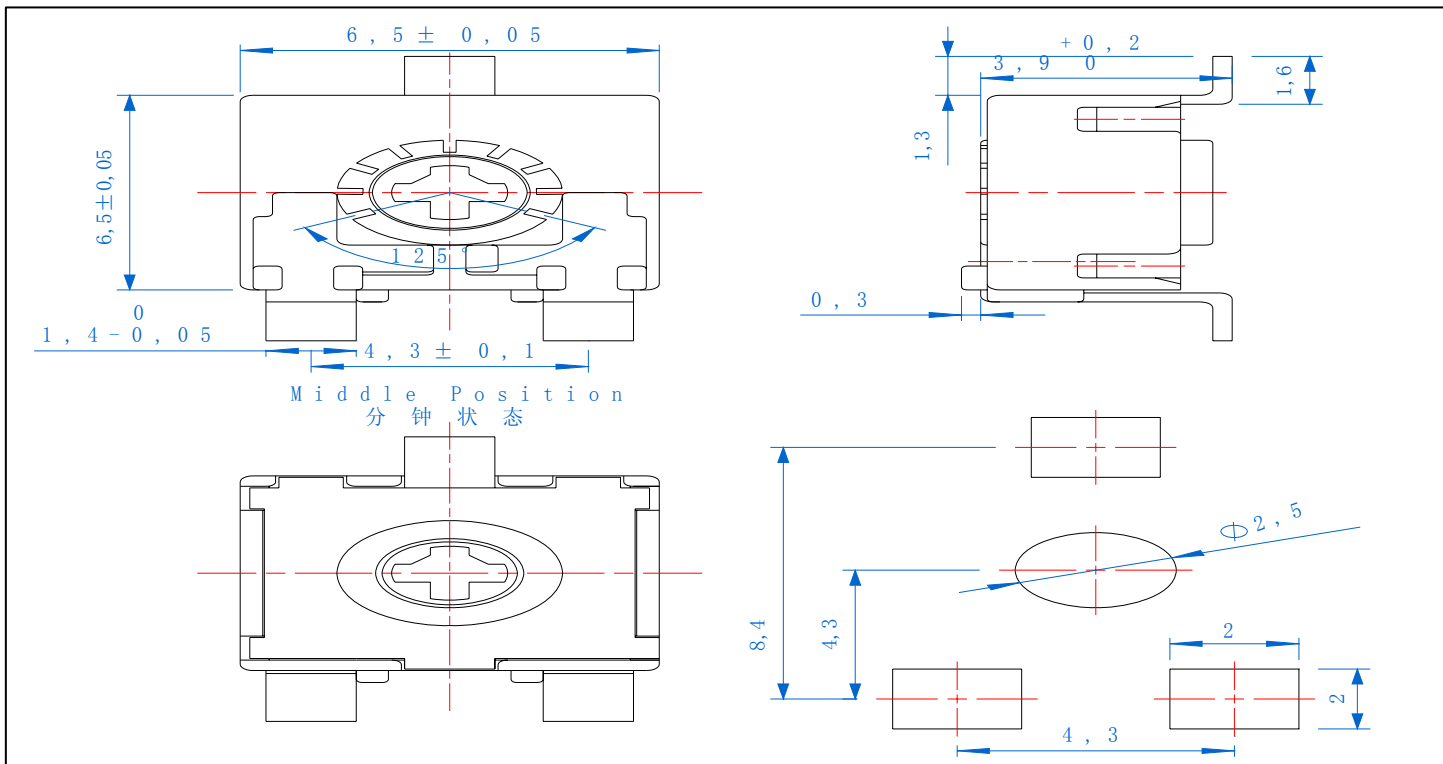
## 外形图及安装尺寸 OUTLINE DRAWING AND MOUNTING HOLE DETAIL

### ROTORS(孔的形式)



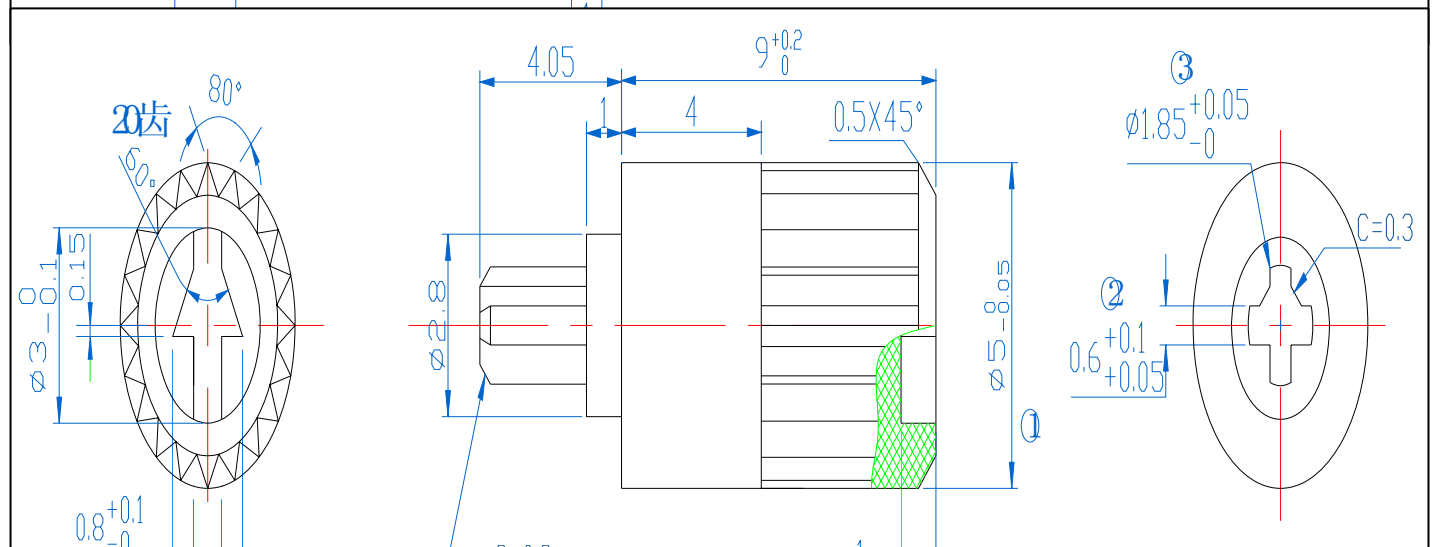
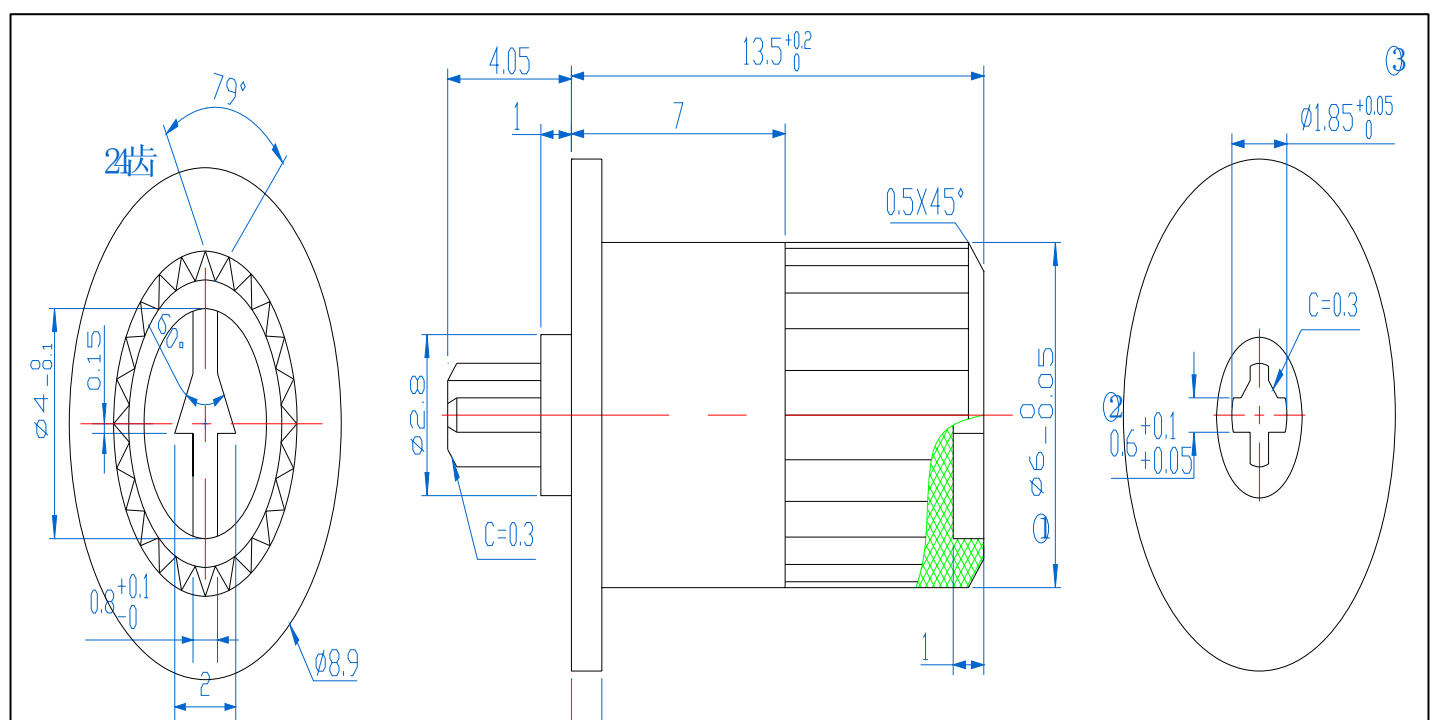
### Installation size(安装尺寸)

CA6VSMD

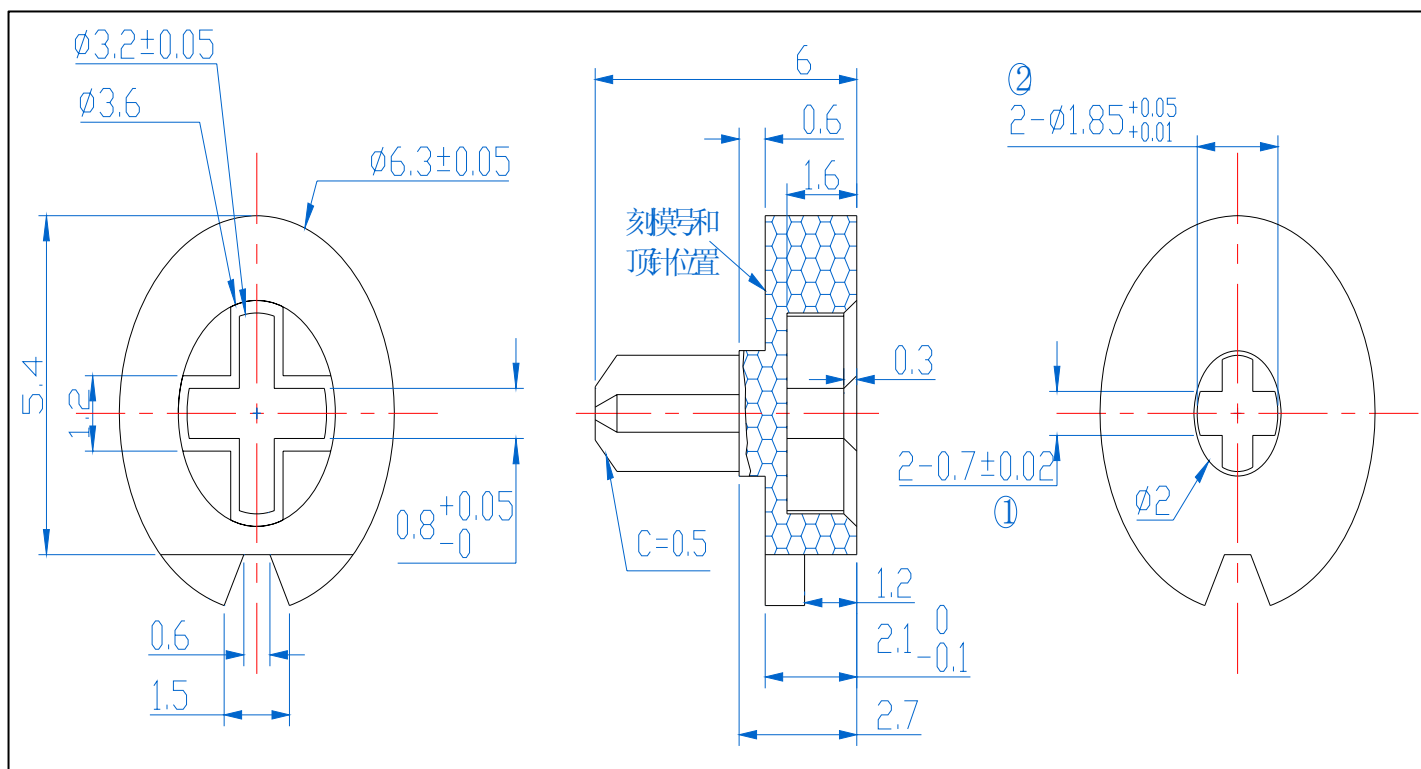


**SHAFT(现有轴型)**

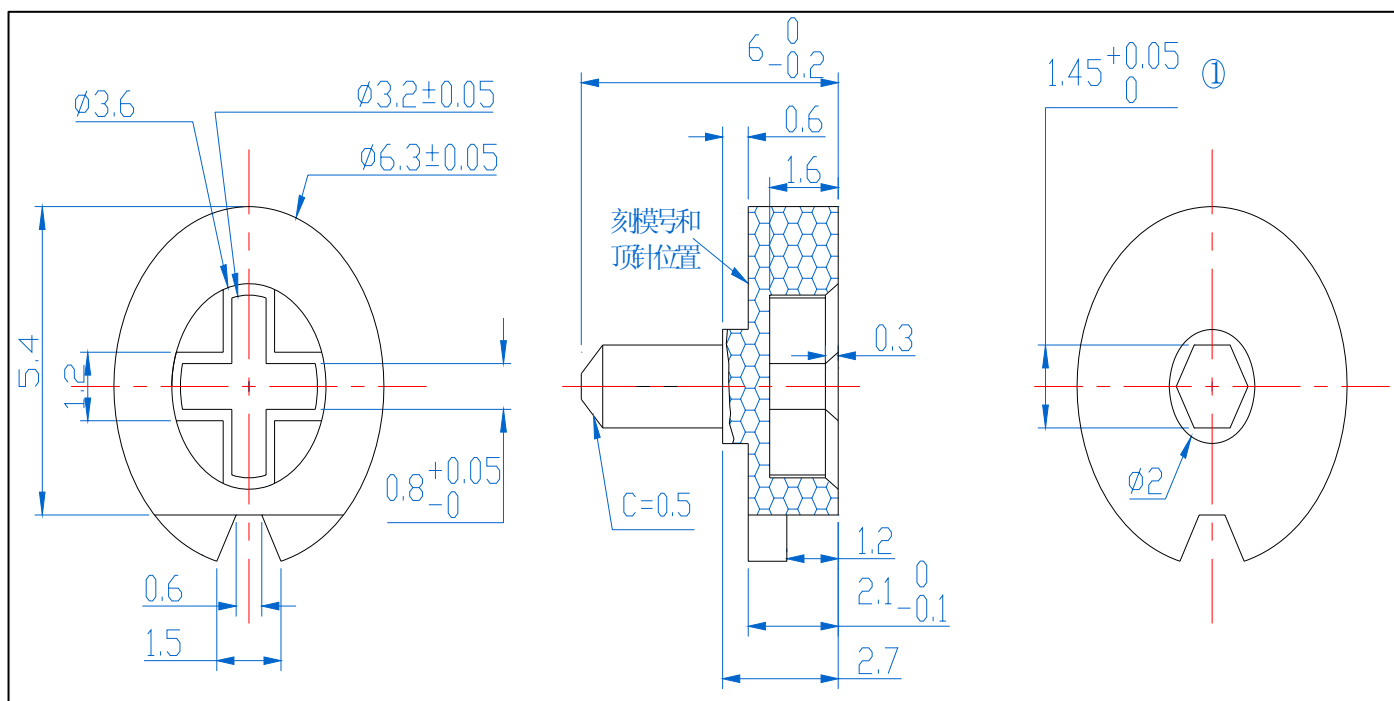
1#轴



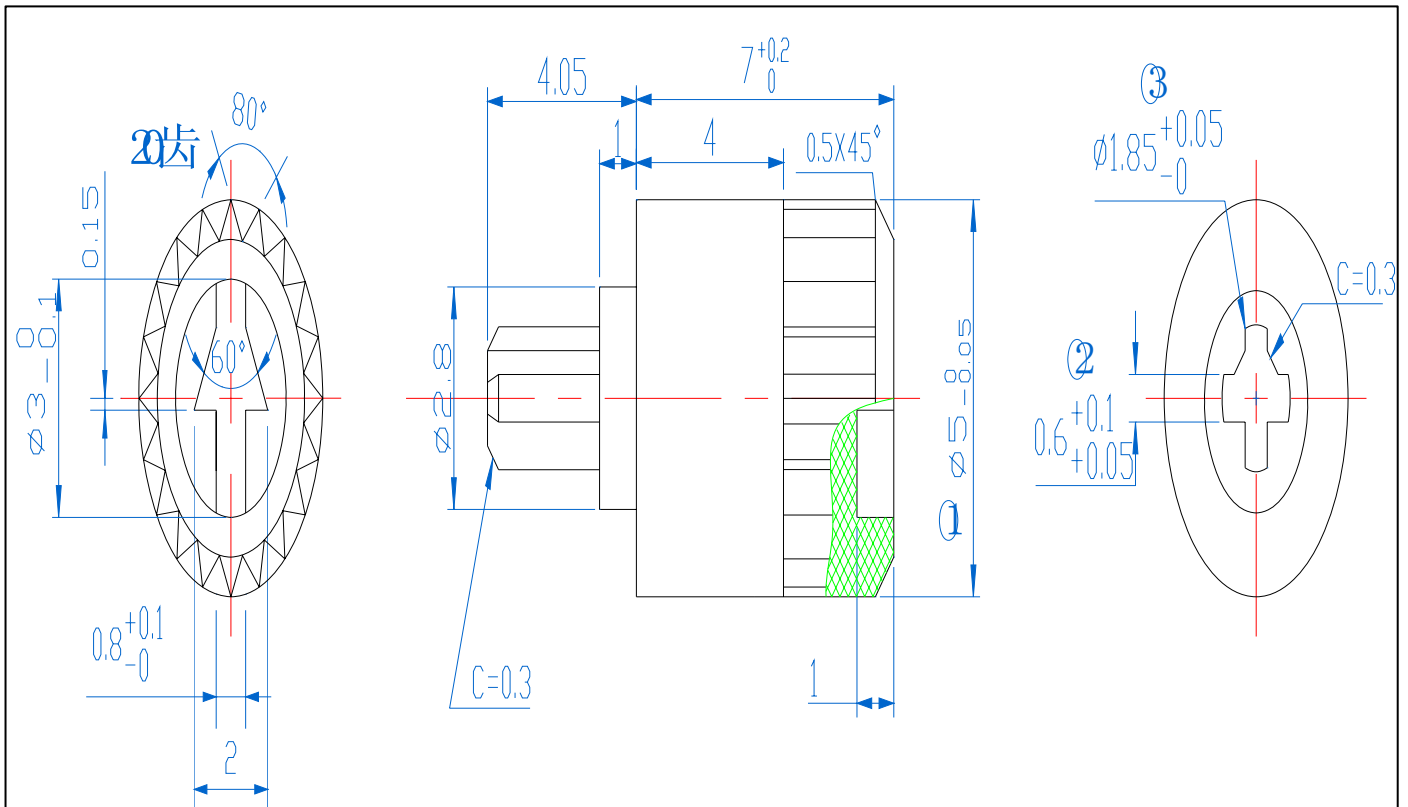
### 3#轴



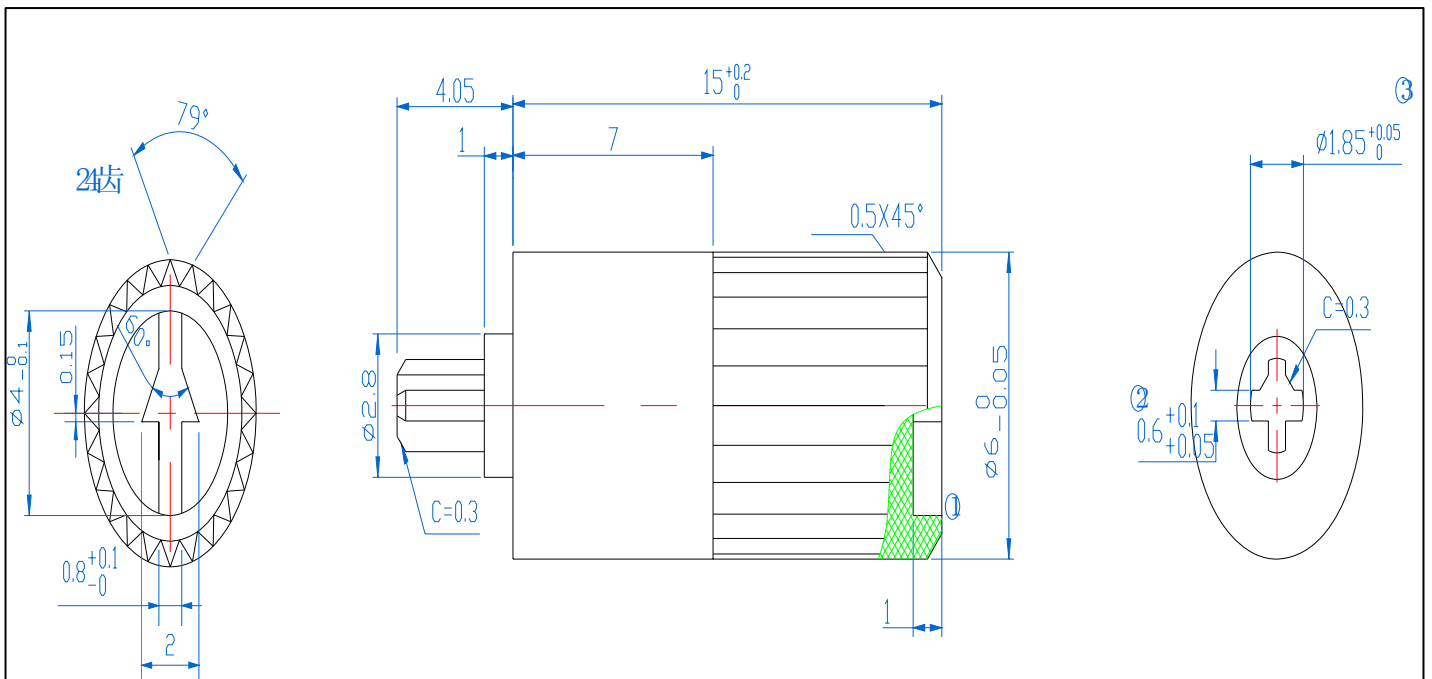
### 4#轴



5#轴



6#轴



# SMD Tape Reel Packaging (SMD 包装模式)

