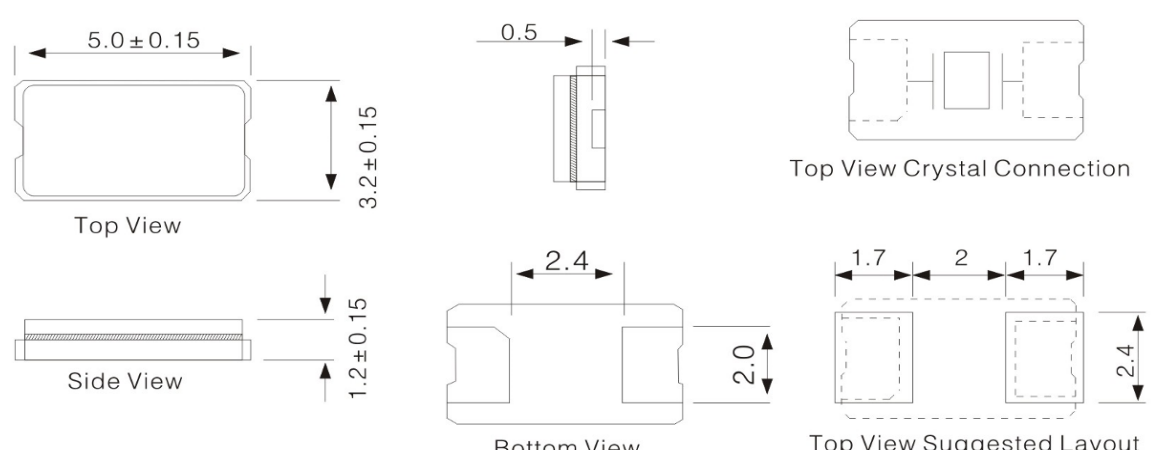


ELECTRICAL SPECIFICATIONS	
TYPE	5x3.2mm GLASS SMD Crystal - 2 Pad
Part Number	ASG5T-8M-FE120E3
Nominal frequency	8.000000 MHz
Mode	Fundamental
Frequency tolerance (at 25°C)	± 30 ppm
Frequency Stability (vs. 25°C)	± 30 ppm
Operating Temperature	-20°C ~ + 70°C
Storage Temperature	-40°C ~ + 85°C
Aging Rate	±3 ppm/year
Load capacitance	12 pF
Drive level	100 μW Typ.
Equivalent Series Resistance	80 Ω Max.
Insulation Resistance (at DC 100V)	500 MΩ Min.
Shunt Capacitance (C0)	5 pF Max.

OUTLINE DIMENSIONS	
 <p> Top View: Length 5.0 ± 0.15 mm, Width 3.2 ± 0.15 mm. Side View: Thickness 1.2 ± 0.15 mm. Bottom View: Pad width 2.4 mm, Pad height 2.0 mm. Top View Crystal Connection: Shows the internal connection points. Top View Suggested Layout: Pad width 1.7 mm, Pad spacing 2 mm, Pad width 1.7 mm, Pad height 2.4 mm. </p>	
<p>* Remarks: Marking by Ansen's standard laser marking. [UNIT: mm]</p> <p>* All specifications are subject to change without prior notice.</p>	