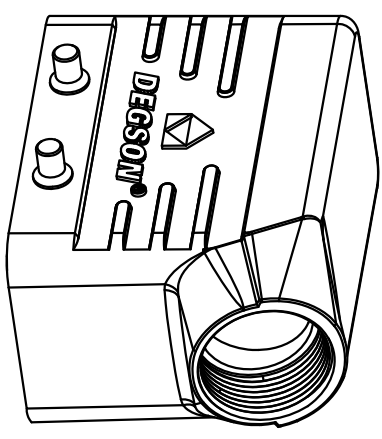
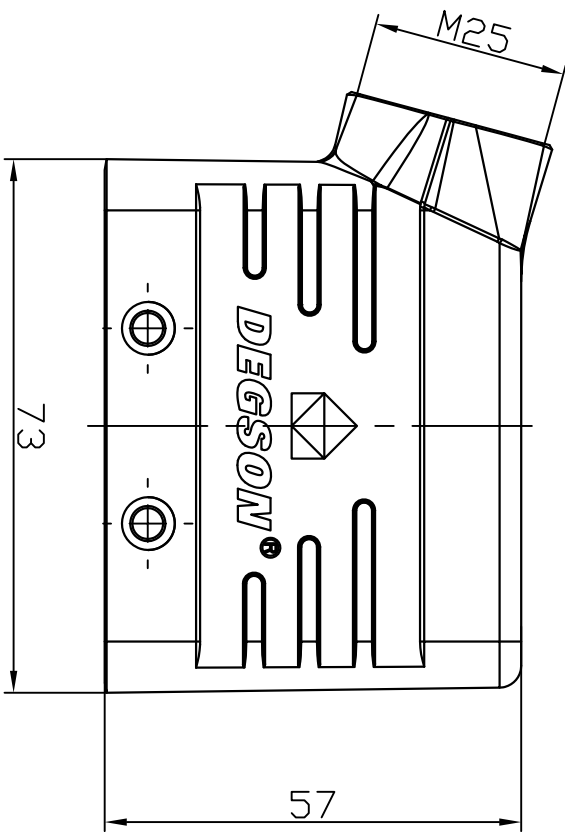
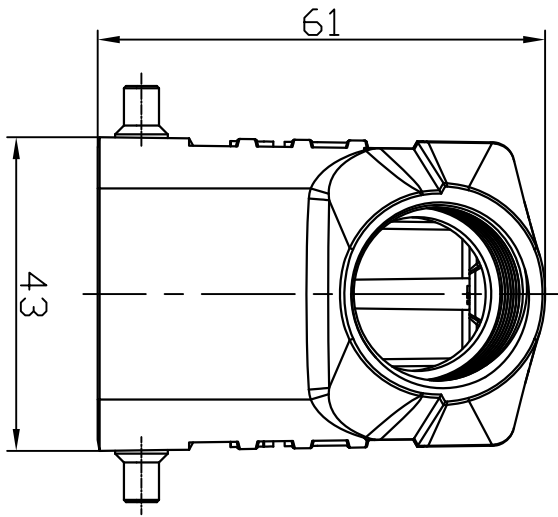


REVISION RECORD				
REV	ECN	DESCRIPTION	DRFT	DATE



DETACHED LISTS			
PART NO.:	/	NAME:	DEGSON ® NINGBO DEGSON ELECTRICAL CO., LTD 宁波高松电子有限公司
APPD:		TITLE:	ASSEMBLY DRAWING
CHKD:		DRAWING NO.:	
DRFT:		REV	T0-1
THIRD ANGLE PROJECTION		DO NOT SCALE DRAWING	SCALE
		1:1	1:1

A 8 7 6 5 4 3 2 1