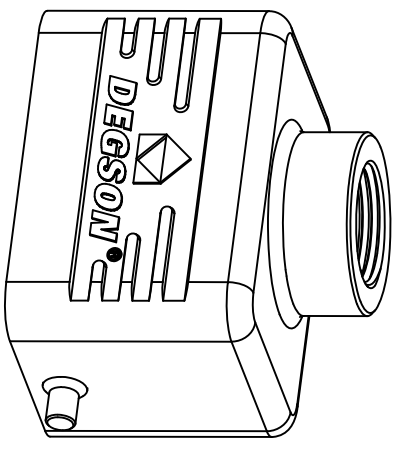
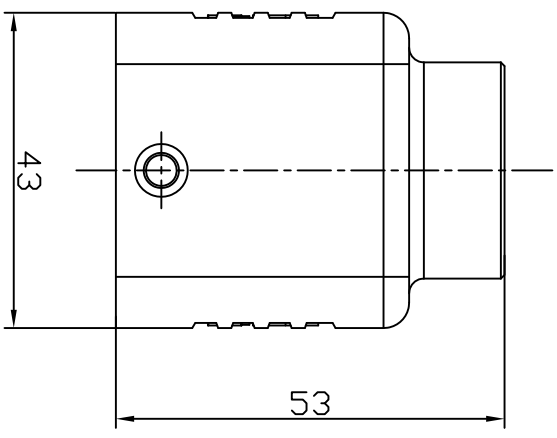
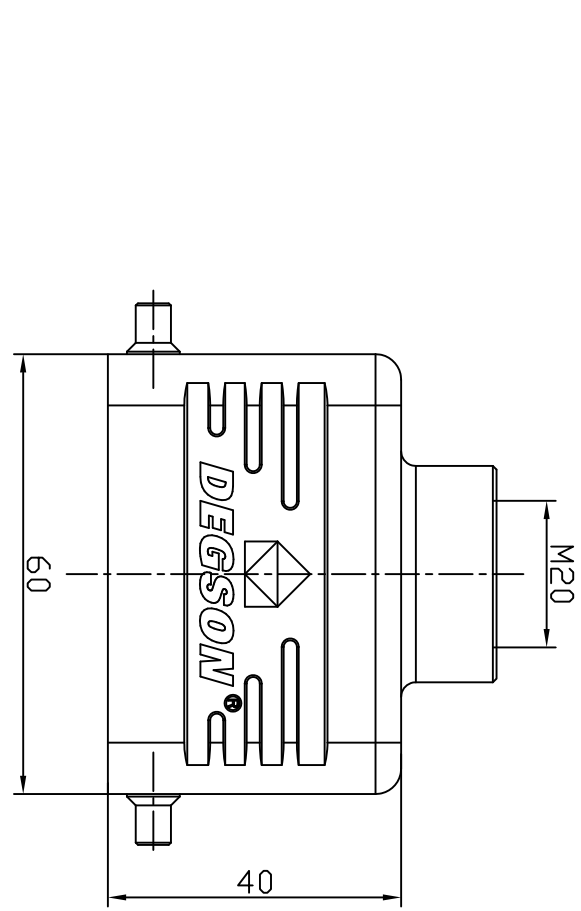


REVISION RECORD				
REV	ECN	DESCRIPTION	DRFT	DATE



DETACHED LISTS			
PART NO.:	/	NAME:	DEGSON ® NINGBO DEGSON ELECTRICAL CO., LTD 宁波高松电子有限公司
APPD:		MODEL:	D6B-TE-2g-M20
CHKD:		TITLE:	ASSEMBLY DRAWING
DRFT:		DRAWING NO.:	
THIRD ANGLE PROJECTION		SCALE	1:1
		DO NOT SCALE DRAWING	
		REV	T0-1
		SHEET	1/1

A 8 7 6 5 4 3 2 1