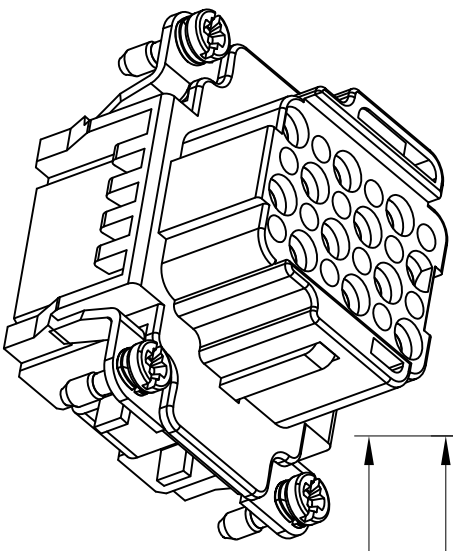
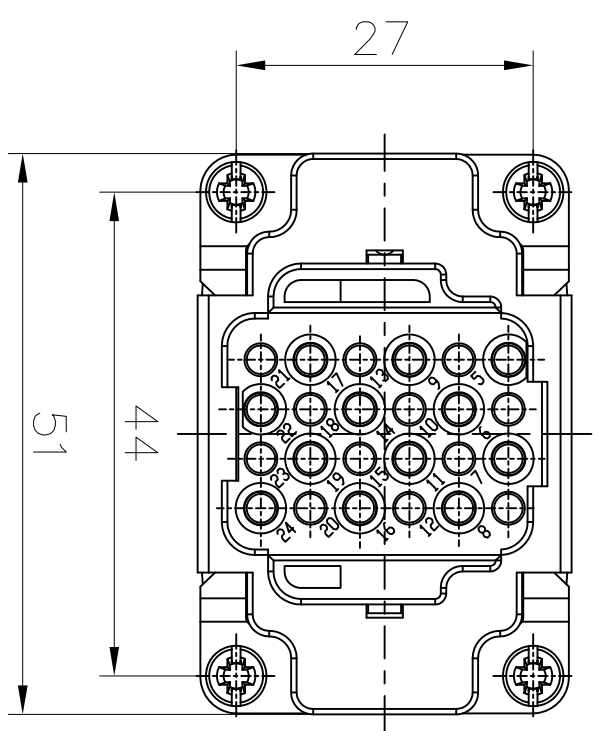
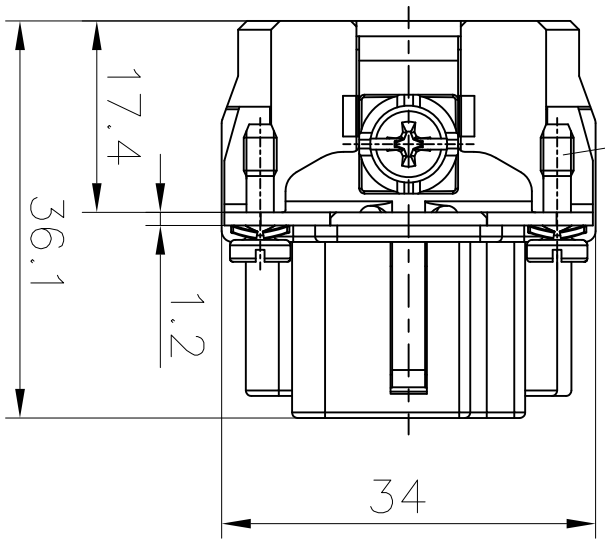


REVISION RECORD				
REV	ECN	DESCRIPTION	DRFT	DATE

M3X10



A 8 7 6 5 4 3 2 1

DETACHED LISTS			
PART NO.:	/	NAME:	DEGSON 宁波高松电子有限公司 NINGBO DEGSON ELECTRICAL CO., LTD
APPD:		TITLE:	CUSTOMER DRAWING
CHKD:		DRAWING NO.:	/
DRFT:		DO NOT SCALE DRAWING	SCALE
THIRD ANGLE PROJECTION		1:1 (INCH)	1.5:1

REV DO
SHEET 1/1
SCALE