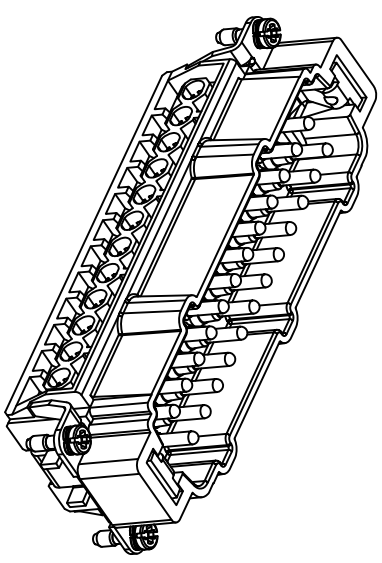
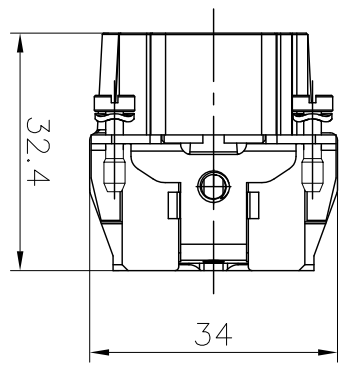
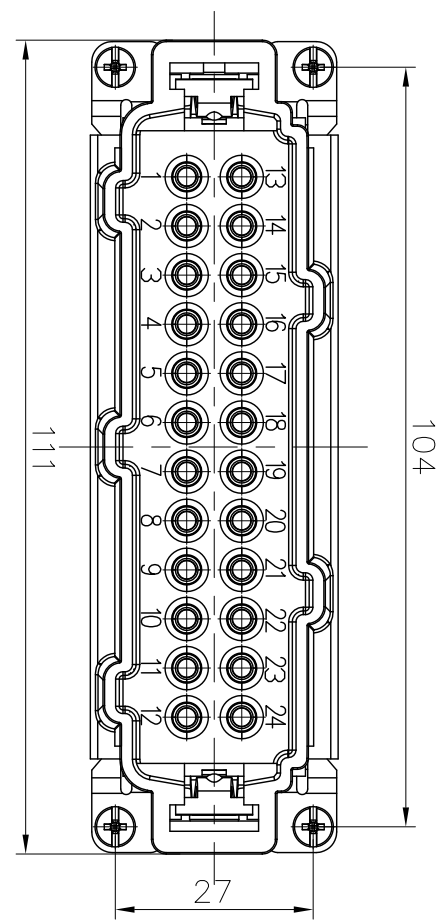
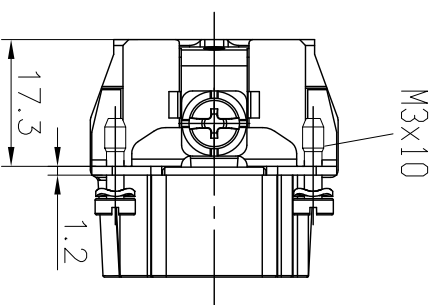


| REVISION RECORD |     |             |      |      |
|-----------------|-----|-------------|------|------|
| REV             | ECN | DESCRIPTION | DRFT | DATE |
|                 |     |             |      |      |



| DETACHED LISTS         |   |                      |   |
|------------------------|---|----------------------|---|
| PART NO.:              | / | NAME:                | <b>DEGSON</b> ® 宁波高松电子有限公司<br>NINGBO DEGSON ELECTRICAL CO., LTD |
| APPD:                  |   | TITLE:               | CUSTOMER DRAWING  |
| CHKD:                  |   | DRAWING NO.:         | /   |
| DRFT:                  |   | DO NOT SCALE DRAWING | SCALE   |
| THIRD ANGLE PROJECTION |   | 1/1                  | 1/1   |
|                        |   | 1/1                  | 1:1   |

A 8 7 6 5 4 3 2 1