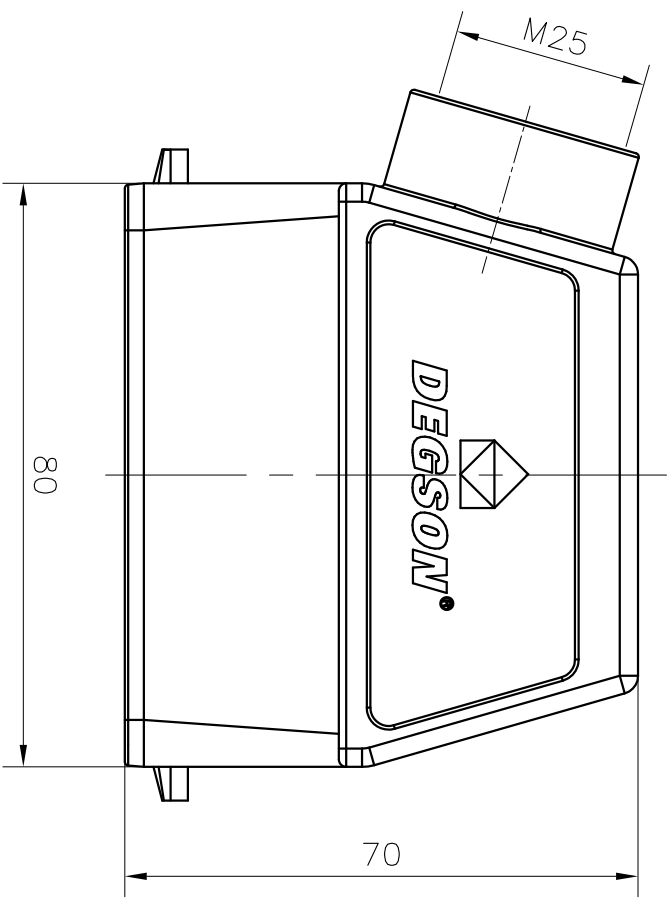
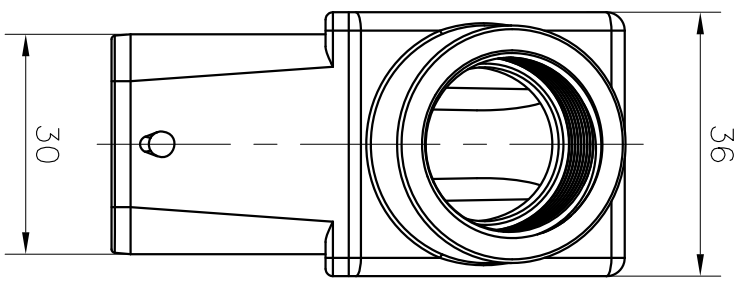
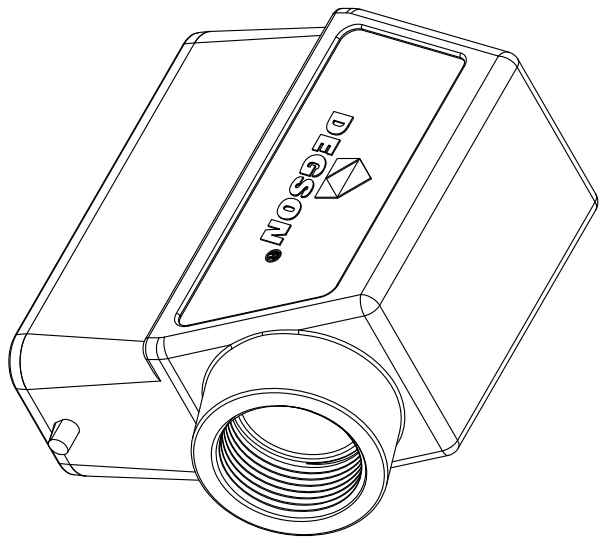


REVISION RECORD				
REV	ECN	DESCRIPTION	DRFT	DATE



Hoods Feature

1. Material: aluminium die-cast
2. Surface: Powder-coated
3. Color: grey(RAL 7037)
4. Sealing: NBR
5. Limiting temperatures: -40°C ~ +125°C
6. Flammability acc to UL94:V0
7. Degree of protection acc.to EN60529 for coupled connector :IP65
8. Rohs compliance

DETACHED LISTS			
PART NO.:	/	NAME:	DEGSON 宁波高松电子有限公司 NINGBO DEGSON ELECTRICAL CO., LTD
APPD:			
CHKD:			
DRFT:	Mr. yding 2017/06/28	TITLE:	CUSTOMER DRAWING
		DRAWING NO.:	
		THIRD ANGLE PROJECTION	DO NOT SCALE DRAWING
		SCALE	1:1