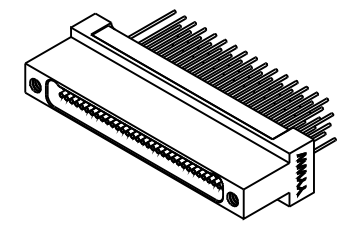
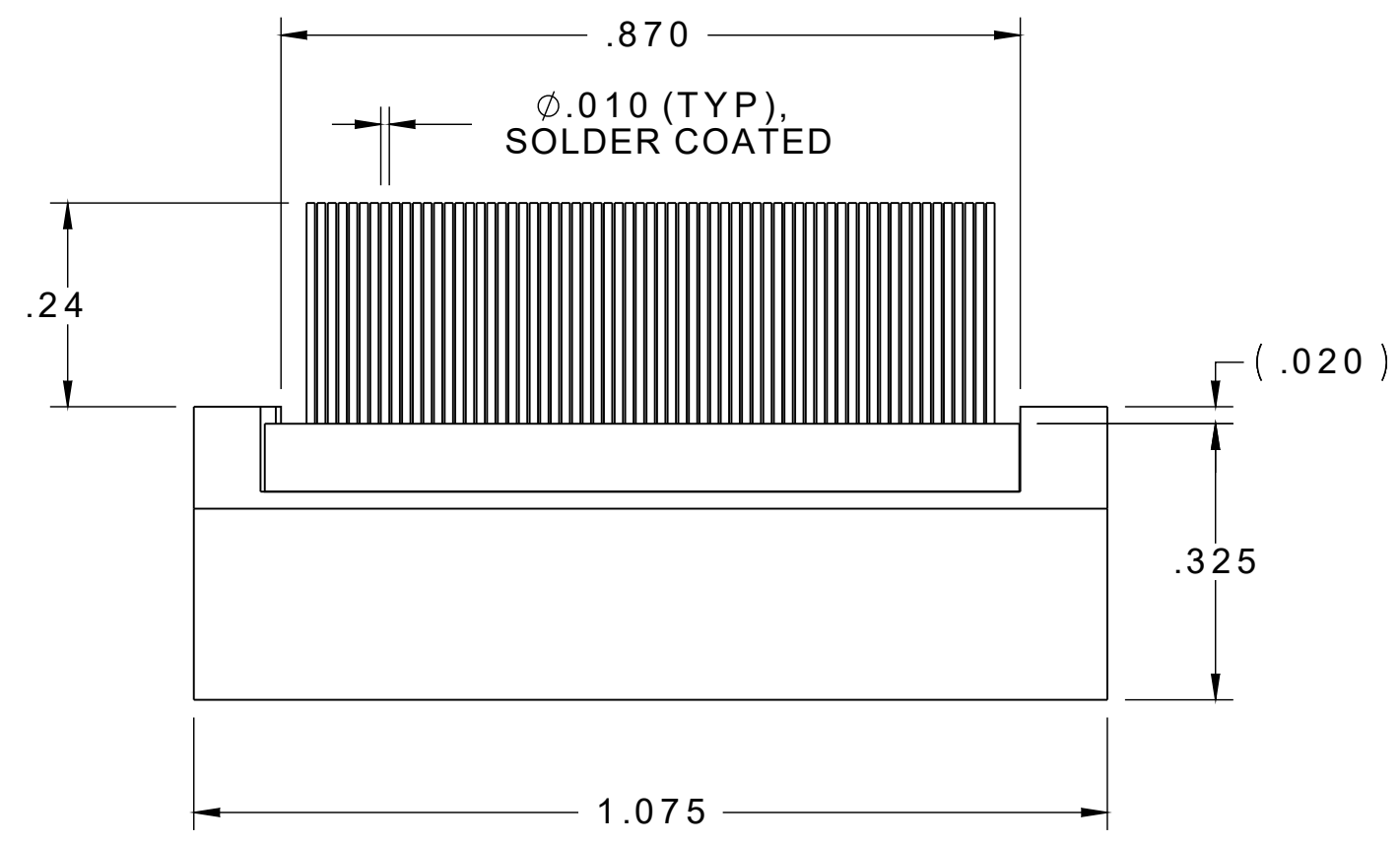
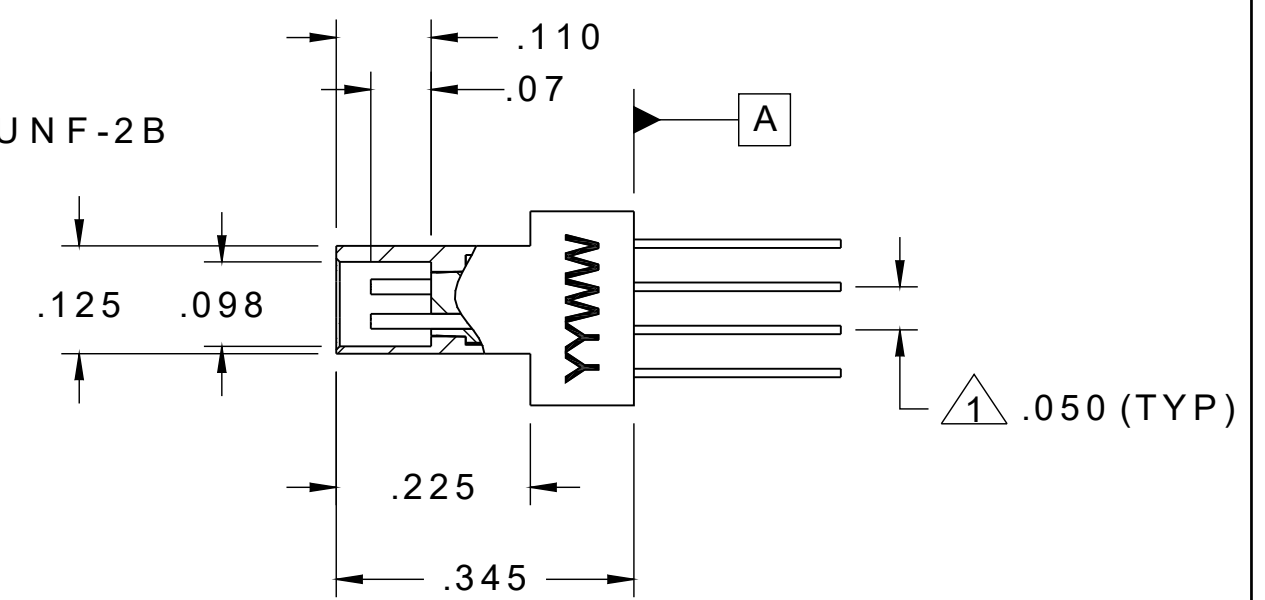
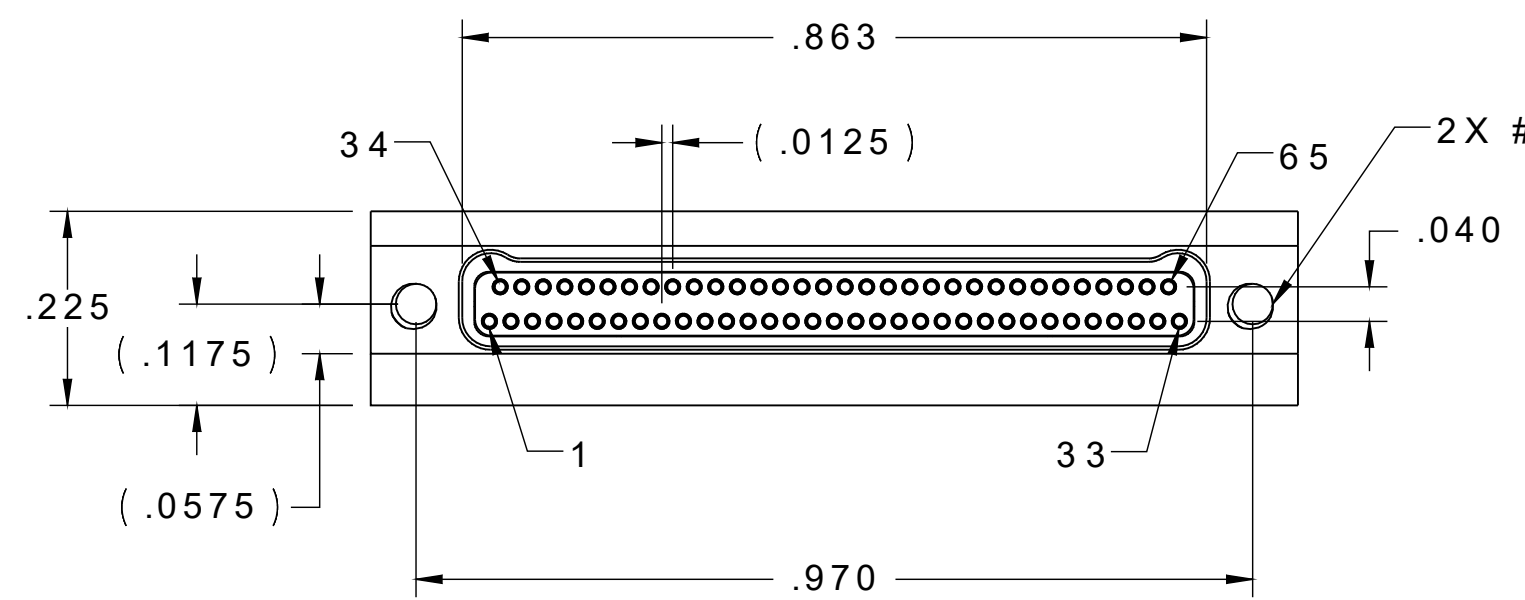


PART NO.	A 41294-001	REV	ECO	DATE	APP
		B	102825	08-19-16	TLM



ACTUAL SIZE



1 DIMENSION APPLIES AT DATUM A

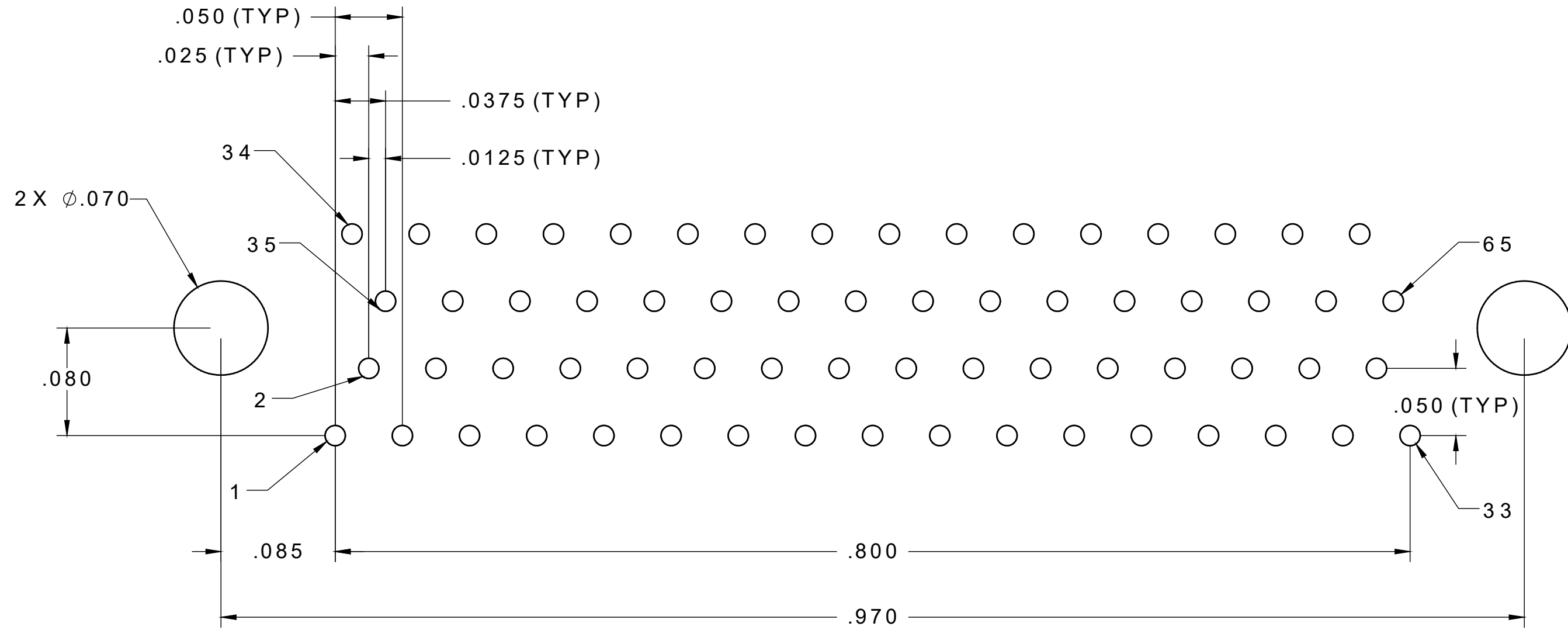
REF: ASELSAN

MNSO SLDW	THIRD ANGLE	THIS DRAWING CONTAINS CONFIDENTIAL AND PROPRIETARY INFORMATION WHICH IS THE PROPERTY OF OMNETICS CONNECTOR CORP. THIS DOCUMENT MAY NOT, IN WHOLE OR IN PART, BE DUPLICATED, OR DISCLOSED FOR ANY PURPOSE, WITHOUT WRITTEN PERMISSION FROM OMNETICS CONNECTOR CORP.		OMNETICS	CAGE CODE 61873	
	-TOLERANCES-	DFTM. TLM	DATE		CONNECTOR CORPORATION	DWG NO. A41294-001
	UNLESS OTHERWISE NOTED	CHK'D.	DATE	7260 COMMERCE CIRCLE EAST	SHEET 1 OF 2	
	DIMENSIONS IN INCHES	APP'D.	DATE	MINNEAPOLIS, MN 55432	SCALE: 3:1	REV B

TITLE:
(65) SOCKET FEMALE
Bi-Lobe® CONNECTOR

WWW.OMNETICS.COM

PART NO.	A 41294-001	REV	ECO	DATE	APP
		B	102825	08-19-16	TLM



SUGGESTED HOLE PATTERN

REF: ASEL SAN

MNSO SLDW	THIRD ANGLE	THIS DRAWING CONTAINS CONFIDENTIAL AND PROPRIETARY INFORMATION WHICH IS THE PROPERTY OF OMNETICS CONNECTOR CORP. THIS DOCUMENT MAY NOT, IN WHOLE OR IN PART, BE DUPLICATED, OR DISCLOSED FOR ANY PURPOSE, WITHOUT WRITTEN PERMISSION FROM OMNETICS CONNECTOR CORP.		OMNETICS	CAGE CODE 61873	
	-TOLERANCES- UNLESS OTHERWISE NOTED DIMENSIONS IN INCHES	DFTM. TLM	DATE		CONNECTOR CORPORATION	DWG NO. A41294-001
	2 PL DEC ± .01	CHK'D.	DATE	7260 COMMERCE CIRCLE EAST	SHEET 2 OF 2	
	3 PL DEC ± .005	APP'D.	DATE	MINNEAPOLIS, MN 55432	REV B	
4 PL DEC ± .0005			WWW.OMNETICS.COM	SCALE: 6:1		
ANGLES ± 1°						

TITLE: (65) SOCKET FEMALE
Bi-Lobe® CONNECTOR