



TIANJIN NEW VENTECH ELECTRONIC CO.,LTD

Tel : 86-22- 28312994 , 28267553

天津光电万泰克电子有限公司

Fax: 86-22-28322723 , 28259601

Http:// www.transformer-cn.com

E-mail : ventech@transformer-cn.com

NEW VENTECH

TECHNICAL SPECIFICATION

技术规格书

DESCRIPTION (产品名称): POWER TRANSFORMER

MODEL (产品型号): VTC 30 E301247-1

CUSTOMER (客户名称): _____

CUSTOMER PART NO. (客户代码): _____

DATE (确认日期): _____

DRAWER (设计)	CHECKED(审核)	APPROVED(批准)	DATE(日期)	NO. REV (编号含版本号)	PAGE (页号)
徐琼梅			2018.09.20	2015XQM223REV0	1/4



TIANJIN NEW VENTECH ELECTRONIC CO.,LTD

Tel : 86-22- 28312994 , 28267553

天津光电万泰克电子有限公司

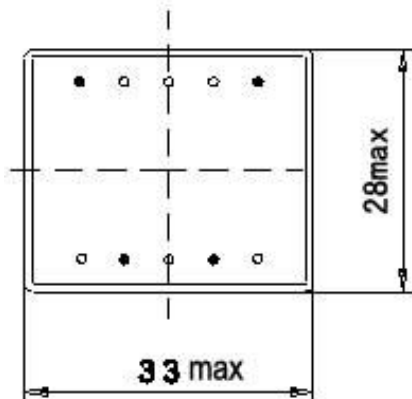
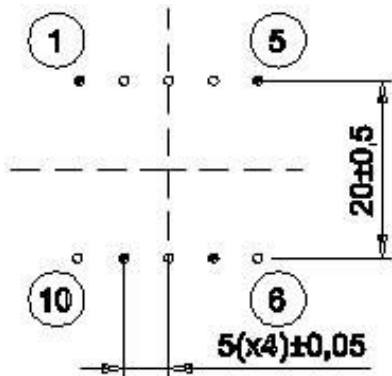
Fax: 86-22-28322723 , 28259601

Http://www.transformer-cn.com

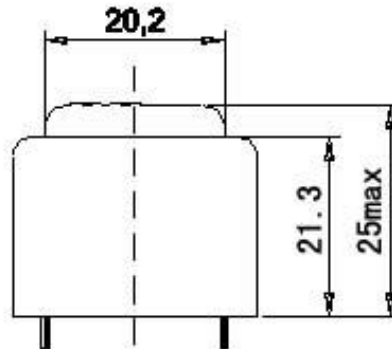
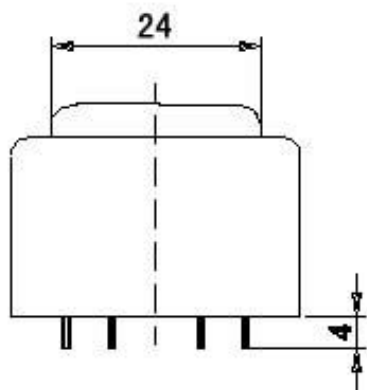
E-mail : ventech@transformer-cn.com

DESCRIPTION 产品名称	MODEL 产品型号	PROVISIONAL DEVELOPING CODE 开发代码	CUSTOMER 客户名称	CUSTOMER PART NO. 客户代码	DATE 确认日期
电源变压器	VTC 30 E301247-1				

◆MACHANICAL DRAWING (装配图) UNIT: MM



■ AC 230V 50/60Hz
 VTC 30
 E301247
  
 ta:70°C/B 1.5VA
 12V
 ■ ■



DRAWER (设计)	CHECKED(审核)	APPROVED(批准)	DATE (日期)	NO. REV (编号含版本号)	PAGE (页号)
徐琼梅			2015.11.30	2015XQM223REV0	2/4



TIANJIN NEW VENTECH ELECTRONIC CO.,LTD

Tel : 86-22- 28312994 , 28267553

天津光电万泰克电子有限公司

Fax: 86-22-28322723 , 28259601

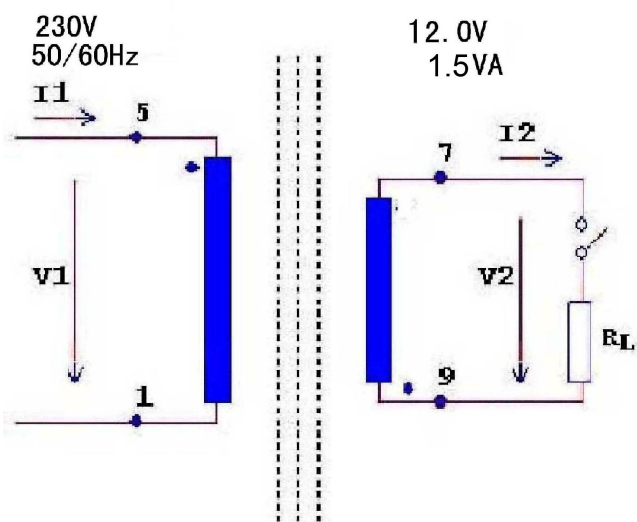
Http://www.transformer-cn.com

E-mail : ventech@transformer-cn.com

DESCRIPTION 产品名称	MODEL 产品型号	PROVISIONAL DEVELOPING CODE 开发代码	CUSTOMER 客户名称	CUSTOMER PART NO. 客户代码	DATE 确认日期
电源变压器	VTC 30 E301247-1				

◆ ELECTRICAL CHARACTERISTIC AND DRAWING(电性能及电原理图)

1. CONNECTION



2. ELECTRICAL PERFORMANCE

2.1 FUNCTIONAL TEST

	Current I Or power P	Voltage V volt	Attributes controlled
	Max 0.3VA		I_0 =no load primary power with supply 230V 50/60Hz PIN 1-5
S1	125mA	AC12.0V	V_1 =load secondary voltage with supply 230V 50Hz (9-7)

2.2 DIELECTRIC STRENGTH

	Voltage V	Frequency Hz	Current mA	Time sec	Attributes controlled
P-S1	3600	50	10	2	Dielectric strength between Primary and secondary winding

DRAWER (设计)	CHECKED(审核)	APPROVED(批准)	DATE (日期)	NO. REV (编号含版本号)	PAGE (页号)
徐琼梅			2018.09.20	2015XQM223REV0	3/4



TIANJIN NEW VENTECH ELECTRONIC CO.,LTD

Tel : 86-22- 28312994 , 28267553

天津光电万泰克电子有限公司

Fax: 86-22-28322723 , 28259601

Http://www.transformer-cn.com

E-mail : ventech@transformer-cn.com

DESCRIPTION 产品名称	MODEL 产品型号	PROVISIONAL DEVELOPING CODE 开发代码	CUSTOMER 客户名称	CUSTOMER PART NO. 客户代码	DATE 确认日期
电源变压器	VTC 30 E301247-1				

◆ LIST OF MATERIAL (材料列表)

NO.	NAME	SPECIFICATION	SUPPLIER	SGS UL CERTI.NO
1	LAMINATED CORES	EI30/0.5T	YUNG-CHIN SILICON STUL CO.,LTD	
2	BOBBIN	EI30×12.5 PBT-V0 BLACK	SHINKONG INDUSTRY (HANGZHOU) CO LTD	E107536
	RESIN BOX			
3	COPPER WIRE	GRADE1 CLASS 155℃	SHANGHAI ASIA PACIFIC ELECTRIC CO.,LTD.	E214423
			ELEKTRISOLA HANGZHOU CO.,LTD.	E258243
4	EPOXY RESIN	9002GA/B	SHIJIAZHUANG WISDOM TECHNICAL CO., LTD	E222834

DRAWER (设计)	CHECKED (审核)	APPROVED (批准)	DATE (日期)	NO. REV (编号含版本号)	PAGE (页号)
徐琼梅			2018.09.20	2015XQM223REV0	4/4