

4

PART NUMBER

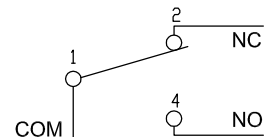
3

2

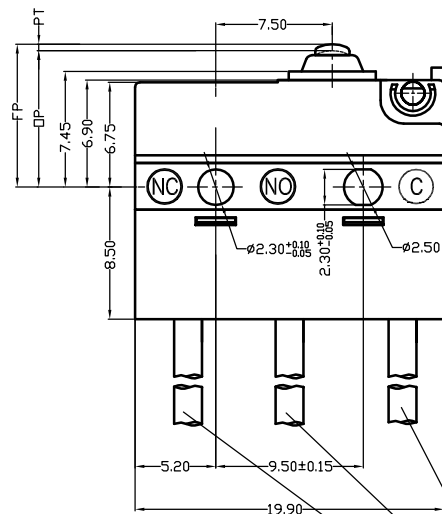
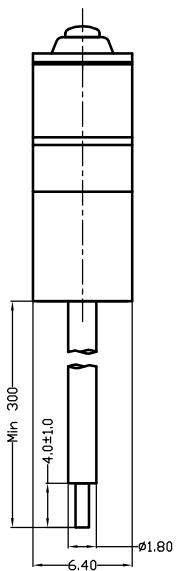
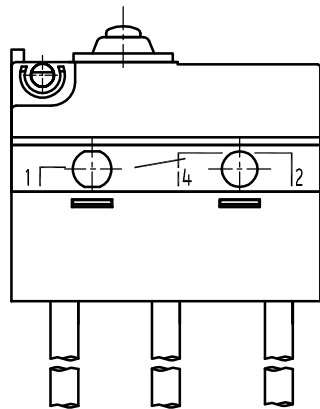
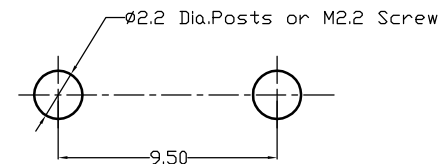
1

REV	DOCUMENT	CHANGED BY	CHECK

Circuit Diagram



Mounting Hole Dimensions



COM: UL1007 20AWG BLACK (黑色)
 NO: UL1007 20AWG BLUE (蓝色)
 NC: UL1007 20AWG GRAY (灰色)

CHARACTERISTICS		ELECTRICAL DATA		DESIGN UNITS: MM				TITLE					
OPERATING FORCE:	300gf MAX.	CONTACT ARRANGEMENT S.P.D.T	PROTECTION		TOLERANCES UNLESS NOTED:				SWITCH				
RELEASE FORCE:	70gf MIN.		TERMINAL	SWITCH BODY	NO PLACE	X	±	±	DRAWING NAME: L-KLS7-MT8-B00W300A06				
OPERATING POSITION:	8.4±0.3MM.	RATING 3A 125/250VAC 48VDC 5E4 6(3)A 125/250VAC 6A 36VDC μ 40T120	IP00		ONE PLACE	.X	±	±	DRAWN	<i>Jack</i>	NOV/21-18	SIZE	REV
PRE-TRAVEL:	1.2MM MAX.		IP67		TWO PLACE	.XX	±	± 0.40	CHECK	<i>Andy</i>	NOV/21-18	B	A
DIFFERENTIAL TRAVEL:	0.2MM MAX.				THREE PLACE	.XXX	±	±	SCALE	—	AutoCAD	SHEET	1
OVER-TRAVEL:	0.6MM MIN.	THIRD ANGLE PROJECTION		THIS DRAWING COVERS A PROPRIETARY ITEM AND IS THE PROPERTY OF DONGHAI. THIS DRAWING IS NOT TO BE COPIED OR USED WITHOUT THE PERMISSION OF DONGHAI.				NINGBO KLS ELECTRONIC CO.,LTD					

4

3

2

1

D

C

B

A

D

C

B

A