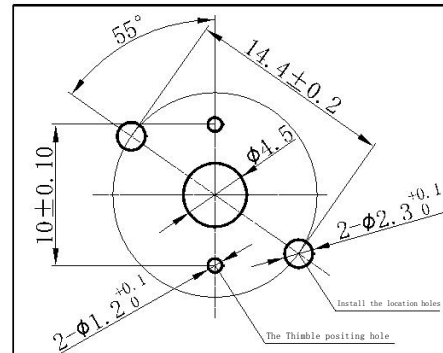
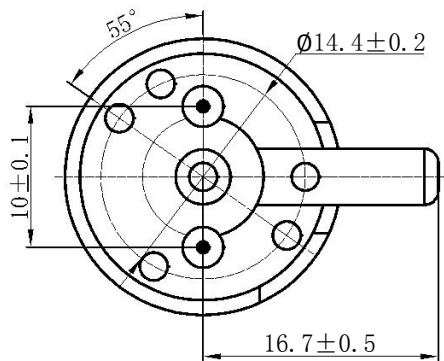
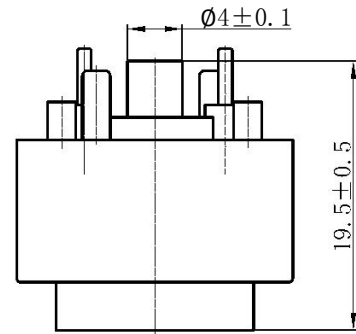
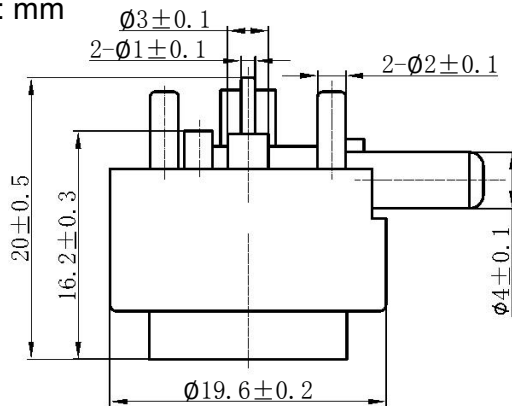


# Specification

Model		LFS-01
Electrial Function		1 Pole NO
Electrial Rating		20mA,250Vac
Ambient Temperature		-10~+90℃
Pressure Setting/Tolerance		-150mbar/ ±7%
Connection		Inlet 4.0 mm
Media		Non-hazardous gas only
Mounting		Solder on PC boards
Material	Upper Cover	PC
	Connection base	PC
	Electrial Contact	Silver Plated Brass
	Diaphragm	Silastic

- Wire and terminal as required.
- Soldering:wave soldering temperature:260±5℃,soldering time:<3s.
- After soldering,there are no air bubbles or loosening phenomena between pin and plastic parts.

Unit: mm



PCB Hole Reference

Note:install location hole,shuld according to the direction of welding plate choice direction

Projection Method: The First Angle Method		Linear Dimension Tolerance 0.5~3mm ±0.1mm 3~6mm ±0.1mm 6~30mm ±0.2mm 30~120mm ±0.3mm 120~400mm ±0.5mm		<h2 style="margin: 0;">Product Specification</h2>		ZHEJIANG LEFOO CONTROLS CO.,LTD.	
				Drawing Sign weight Scale Quantity <b>S A B</b> <b>2:1</b>	<h2 style="margin: 0;">LFS-01 Pressure Switch</h2>		
Design	Standard			Page 1 of 1		<h2 style="margin: 0;">1.01.XXXX</h2>	
Checked	Authorize			Version NO.:A1.0 Save :			
Technics	Date						