

Technical Document

FD 1751 48 B 35 PRH

200305



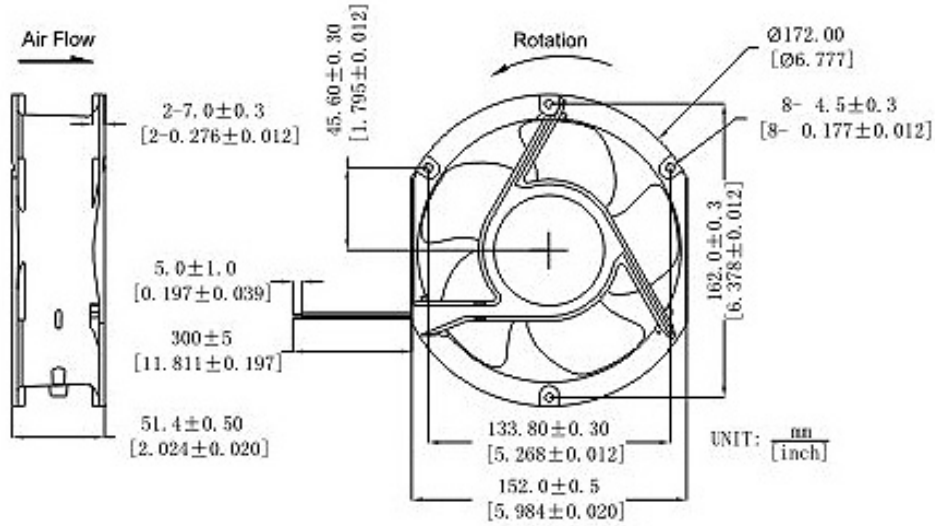
2018, Brussels

Features

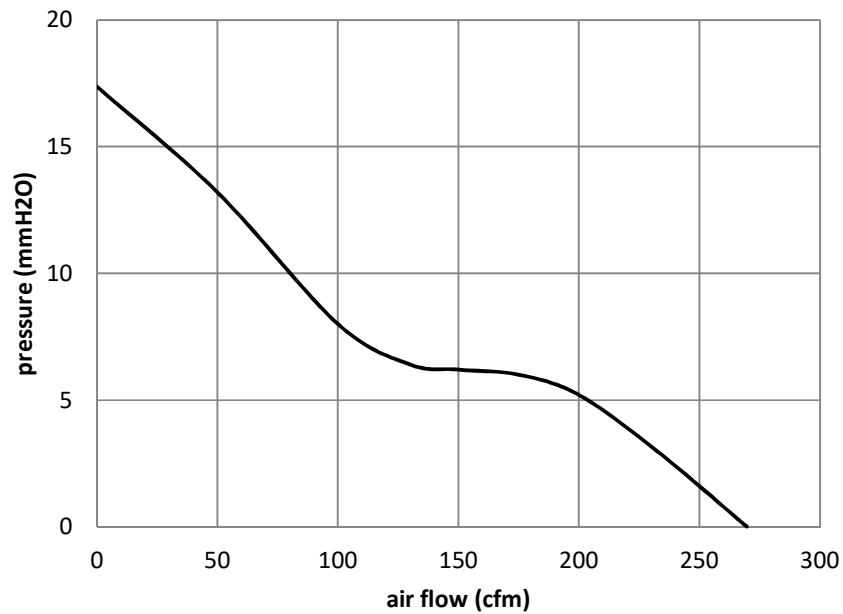
Parameter	Units	Specifications
Dimensions	mm	172x150x51
Weight	gram	720
Power Supply	VDC	48
Operating Voltage	VDC	35~58
Current	A	0.44
Power Input	W	21.12
Speed	RPM	3500
Air Flow	cfm	269.65
Static Pressure	mmH ₂ O	17.38
Sound Level	dBA	56.6
Operating Temp.	°C	-10~+70
Life	hours	70000 @40°C, <65%RH
Bearing	-	Ball bearing
Housing Material	-	Aluminum alloy
Impeller Material	-	UL 94-0 rating thermoplastic
Other Function		RD, PWM
Electrical Connection	-	Lead wires (L)
Polarity Protection	-	Open circuit when Vcc and GND are exchanged.
Motor Protection	-	Impedance protected
Certifications	-	CE

*: above specifications are subject to change without prior notice

Dimensions

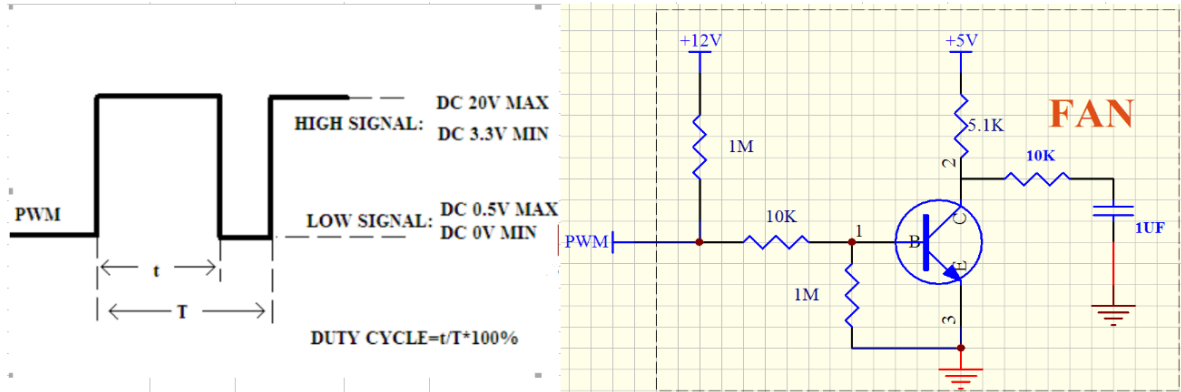


Performance



PWM speed control:

Input PWM frequency range: **300hz-30Khz**

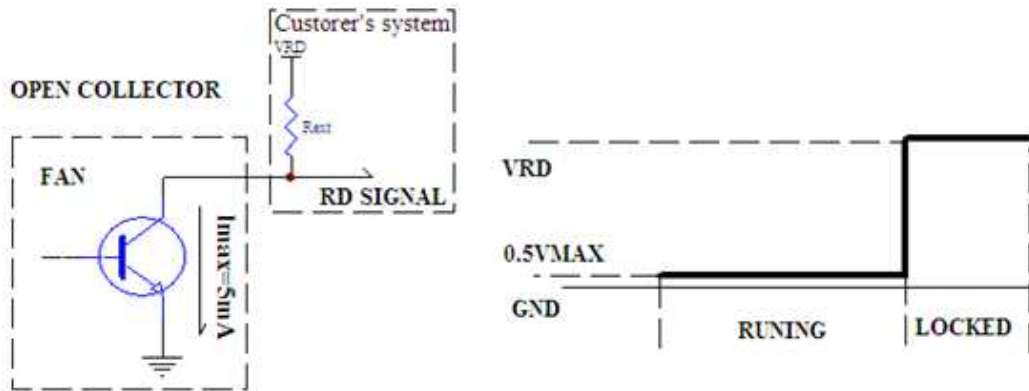


RD detection:

An External equipment will distinguish whether the fan is working or not through the inspection of the RD output signal. RD output circuit is in open collect mode.

RH type: When running, RD output is at low voltage level (V_{ce}); when locked, output is at high voltage level (VRD). Choose Rext careful to avoid damaging the circuit.

VRD= 19V_{max} $I_{max}=5 \text{ mA}$ $R_{ext} (\text{min}) = VRD/I_{max}$ $V_{ce}=0.5V_{max}$



Ordering Code:

Model	Part Number	Description
FD1751 48 B 35 PRH	200305	DC172x150x51 fan, ball bearing, 3500 rpm, with PWM and rotation detection functions.