

3,81 mm SOCKET PRINTED CIRCUIT TERMINAL - FEMALE



Production Code : 172 SBDK-D



TECHNICAL DATA

DIMENSIONS

Width	7,57 mm
Height	12,25 mm
Depth	14,94 mm
Pin range	3,81 mm
Pin thickness	-
Pin hole diameter	-

TECHNICAL DATA

Current	8 A
Voltage	160 V
Cable cross section	0,25 – 1,5 mm ²
Cable stripping	6 mm
Screw size	M2
Nominal torque	0,2 Nm
Flammability rating	V0
Coating of metals	μ3+AG

GENERAL ORDERING DATA

Type	3,81 mm Socket Terminal Series Female Pin 2
Qty	200 pcs
Order no	10.011 - 11.011 - 12.011 13.011 - 14.011 - 15.011
Package weight	0,4 kg
Packaging	Box
Min. Order Qty	200 pcs
Country of origin	TURKEY

* Stock color is green.

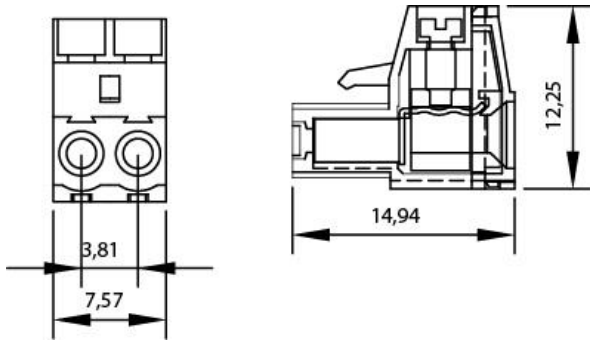
CERTIFICATES

CERTIFICATE	ISSUED BY
TS 10487 EN 60998-2-1	TSE
CE	SZUTEST CO.
RoHS	İNTERTEK A.Ş.
EAC	SERCONS

3,81 mm SKBK (11.151)

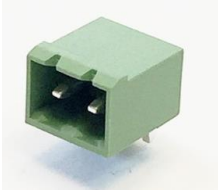


DRAWINGS



COMBINE PRODUCTS

3,81 mm SBDK-E 90° (11.050)



3,81 mm SBDK-E 180° (11.100)

