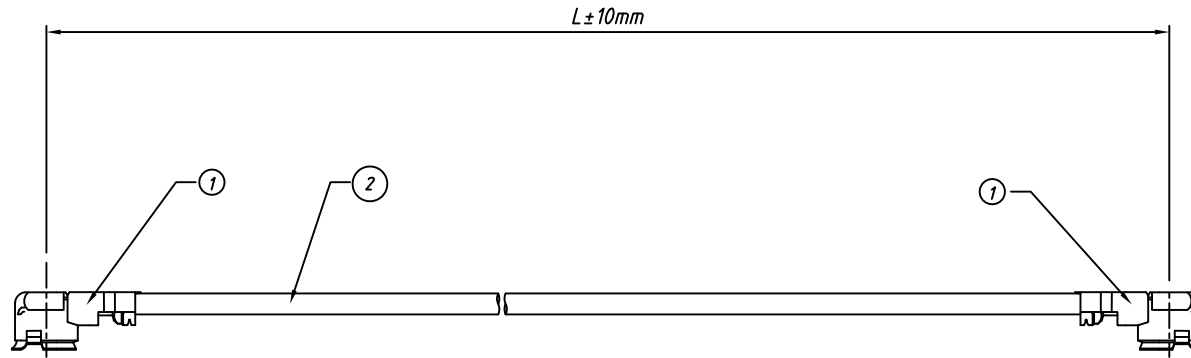
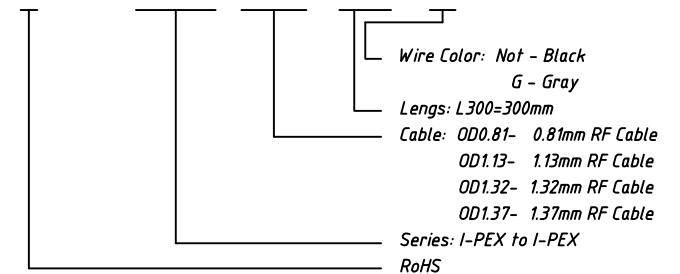


RoHS compliant



Order Information

L- KLS1- RFCA16 - OD1.13 - L300 / X



Note:

- 1: V.S.W.R: 1.5(0~3G), Max.
- 2: Wire surface shall have no dirt, broken.
- 3: Connector surface with coating, oxidation phenomenon.
- 4: Connector pins and insulator are in the same plane

2	RF Cable	0.81,1.13,1.32,1.37mm Cable	mm	L
1	Connetor	I-PEX Plug, for 0.81,1.13,1.32,1.37mm Cable	PCS	2
No.	Name	Description	UNITS	Q'ty

		Description:	
		I-PEX to I-PEX Cable	
PROJECTION		KLS P/N:	L-KLS1-RFCA16-xxxx
UNITS	mm		
SHEET SIZE	A4		
Draw:	Daniel	2018-06-22	NingBo KLS ELECTRONIC CO.,L TD.
Check:	Daniel	2018-06-22	