



光之宝
lightBO

深圳光之宝科技有限公司

Shenzhen Guangzhibao Technology Co.,Ltd.

SPECIFICATION FOR APPROVAL

DESCRIPTION : 2-Digit 0.56" Common Cathode Red 7-Segment LED Display

PART NUMBER : LB20561LUR0B

CUSTOMER : _____

拟制 (PREPARED BY) : LI PEIWEI

审核 (CHECKED BY) : WEN WU

批准 (APPROVED BY) : LIU ZHIYONG

日期 (DATE): 2018.09.29

客户承认 (APPROVED BY CUSTOMER):

签名 (SIGNED): _____ 职务 (TITLE): _____ 日期 (DATE): _____

Add:Room 619,6/F,A-Fontane Center ,Jinlong Industrial Town , No. 88,Daxin Road,
Nantou Street,Nanshan District, Shenzhen,Guangdong 518052 China

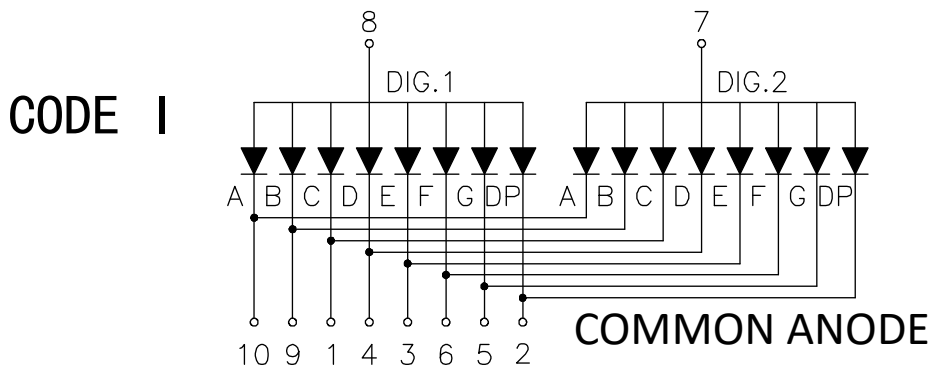
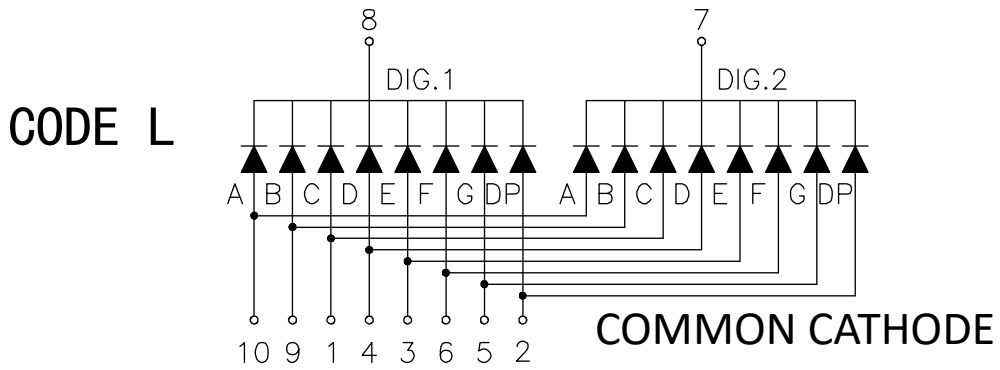
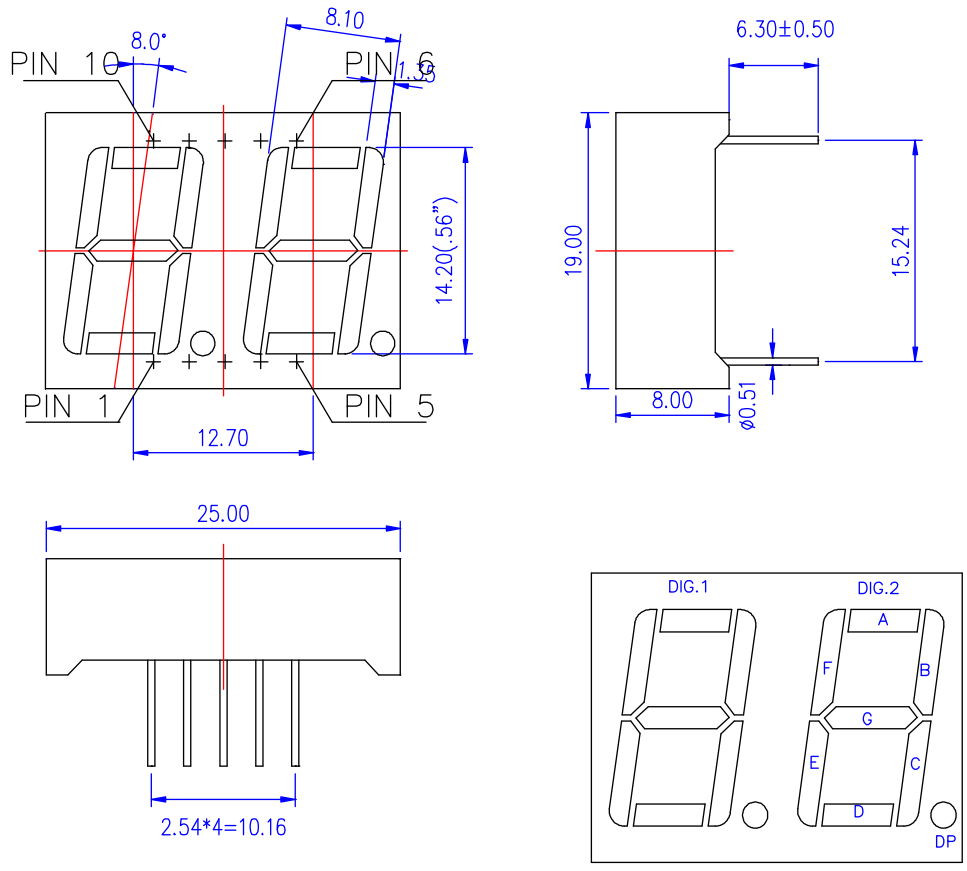
Tel: (86 755)8398 3496

Fax: (86 755)8398 3484

Web: www.lightbo.cn

E-mail: lightbo@lightbo.cn

LB20561





深圳光之宝科技有限公司

Shenzhen Guangzhibao Technology Co.,Ltd.

LB20561LUR0B

Dual-Digit 7-Segment LED Display

一 . Characteristics

01. Package Dimensions :25*19* 8 mm
02. Digit height : 14.2 mm(0.56 inch)
03. Polarity: Common Cathode
04. Emitting Colour: Ultra bright red
05. White Segments Grey surface
06. High luminous intensity and reliability
07. Low current operation
08. Stable performance
09. Continous uniform segments
10. Easy assembly
11. IC Compatible
12. Long lifetime
13. Meet RoHS

二 . Absolute Maximum Ratings (Ta = 25°C)

| Parameter | Symbol | Ratings | Unit |
|-----------------------------|-----------|---------|------|
| Forward Current (per dice) | I_{PM} | 20 | mA |
| Reverse Voltage(per dice) | V_R | 5 | V |
| Power Dissipation(per dice) | P_M | 45 | mW |
| Operating Temperature Range | T_{opr} | -40~+85 | °C |
| Storage Temperature Range | T_{STg} | -40~+85 | °C |
| Solder Temperature (3 sec) | T_h | 260 | °C |

Code: UR - Ultra Bright Red (AlGaInP)

| Parameter | Symbol | Condition | Min. | Typ. | Max. | Unit |
|--|--------|-----------|------------------|------|------|------|
| Forward Voltage (Per dice) | Vf | If=20mA | 1.8 | | 2.3 | V |
| Reverse Voltage (Per dice) | Vr | Ir=10uA | | 5 | | V |
| Luminous Intensity (Per dice) | Iv | If=20mA | 80 | | 100 | mcd |
| Spectrum Width Of Half Value | • | If=20mA | | 22 | | nm |
| Wavelength | D | If=20mA | 630 | | 635 | nm |
| Peak Forward Current (Per dice) 1/10 Duty Cycle,0.1ms Pulse | Ifp | | 70 | | | mA |
| Operating Temperature Range | Topr | | - 35 °C to 85 °C | | | |
| Storage Temperature Range | Tstg | | - 35 °C to 85 °C | | | |
| Solder Temperature 1.5mm below seating plane for 3 Seconds at 260 °C | | | | | | |

Absolute Maximum Rating at Ta=25°

Fig.1

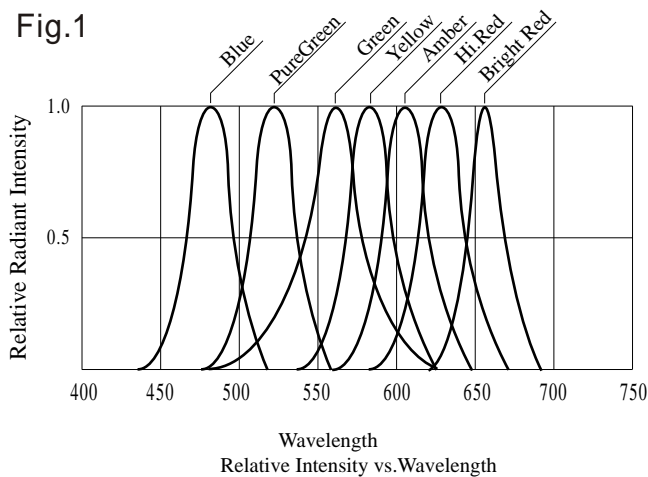


Fig.2

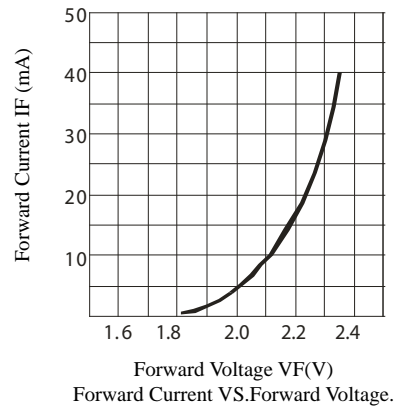


Fig.3

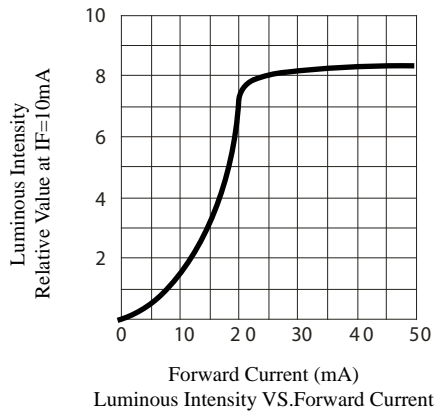
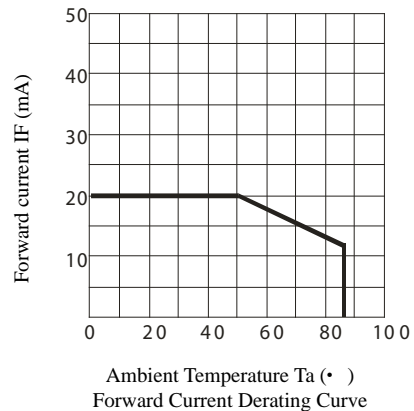


Fig.4



LED working lifetime 100,000 hrs
Absolute Maximum Rating at Ta=25°C