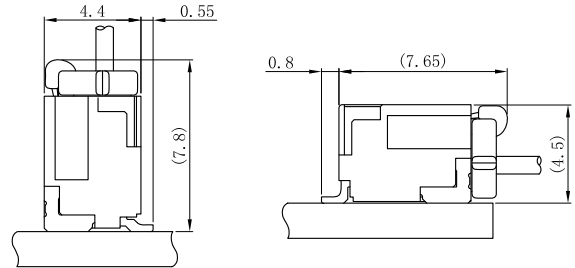
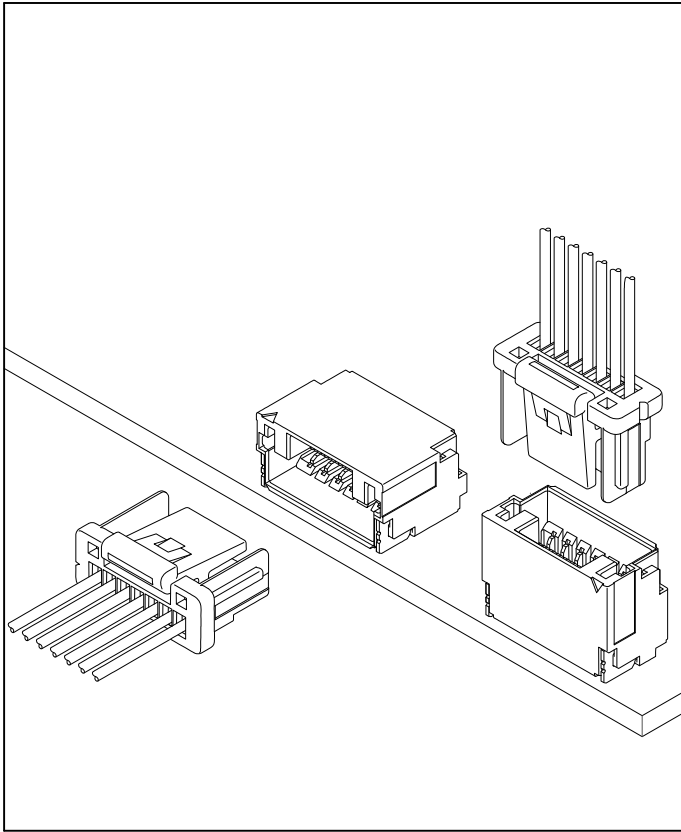


SPECIFICATIONS:

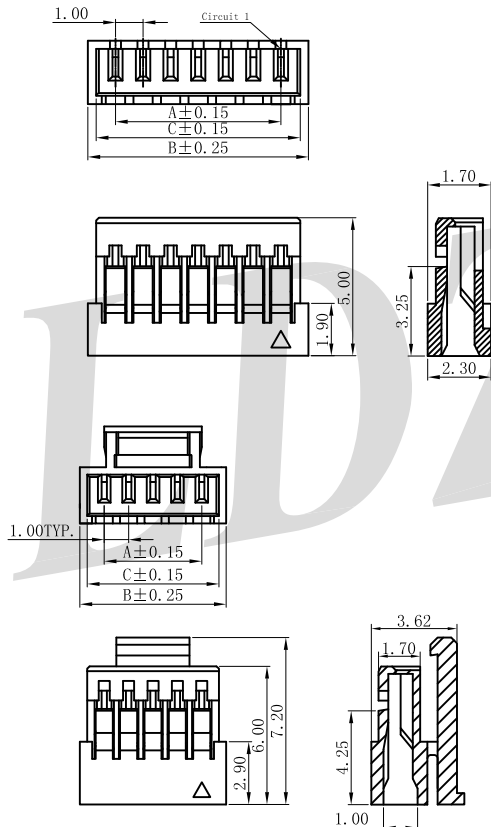
Voltage Rating: 125V AC/DC
 Current Rating: 1A AC/DC
 Withstanding Voltage: 500V AC/Minute
 Temperature Range: -25°C~+85°C
 Insulation Resistance: 100MΩ Min.
 Contact Resistance: 20mΩ Max.
 Applicable Wire Range: AWG#28~32.

Assembly Layout:



A1002HX-NP-N0NA

1.00mm Pitch Single Row Housing



Reference Informations:

*Material:

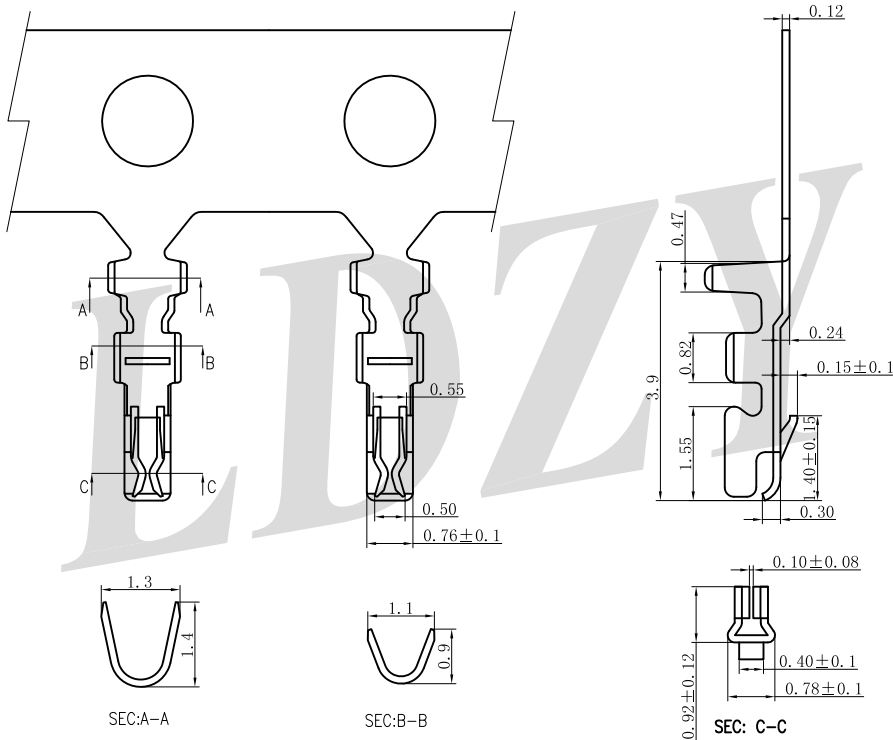
Housing: Nylon 66,UL94V-0

*Mates with LDZY A1002 series Wafer
 Ordering Information & Dimensions

Poles	Dimensions (mm)		
	A	B	C
2	1.00	3.00	2.40
3	2.00	4.00	3.40
4	3.00	5.00	4.40
5	4.00	6.00	5.40
6	5.00	7.00	6.40
7	6.00	8.00	7.40
8	7.00	9.00	8.40
9	8.00	10.00	9.40
10	9.00	11.00	10.40
11	10.00	12.00	11.40
12	11.00	13.00	12.40
13	12.00	14.00	13.40
14	13.00	15.00	14.40
15	14.00	16.00	15.40
16	15.00	17.00	16.40
17	16.00	18.00	17.40
18	17.00	19.00	18.40
19	18.00	20.00	19.40
20	19.00	21.00	20.40

A1002TF-PT1

1.00mm Pitch Terminal



Reference Informations:

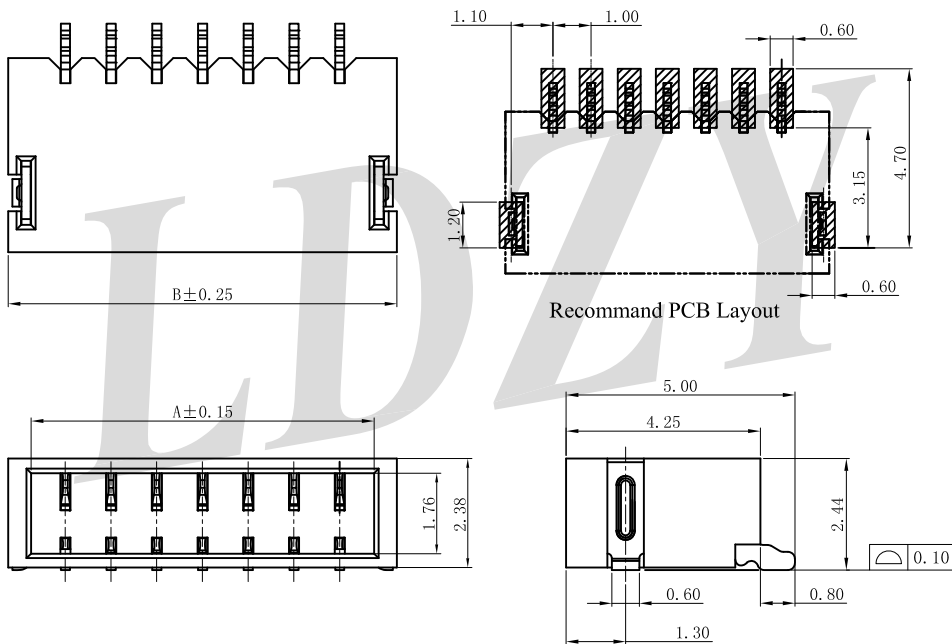
- *Material: Phosphor Bronze/Tin Plated
- *Used in LDZY A1002 series Housing

Ordering Information & Specifications

Part No	Wire Range	Insulation O.D.	Material	Finish	Qty/reel
A1002TF-PT1	AWG#28-#32	0.92mm(max)	Phosphor Bronze	Tin-plated	20,000pcs

A1002WRS-NP-9TNAT

1.0mm Pitch 90° SMT Single Row Wafer

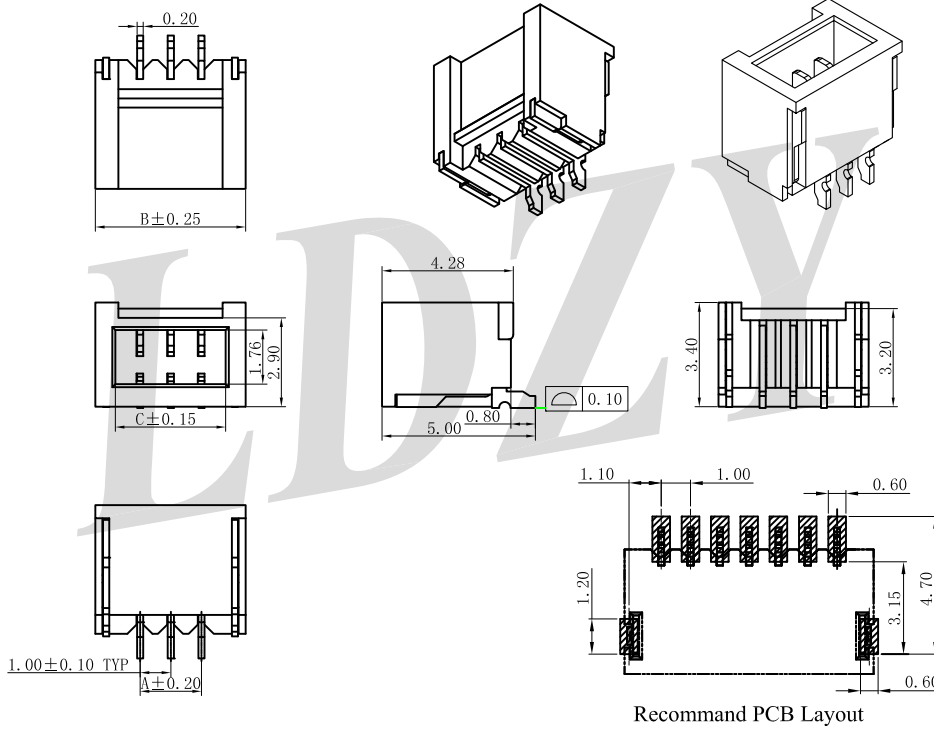


Reference Informations:

- *Material:
 - PIN: Phosphor Bronze/Tin-plated
 - Solder Tabs: Phosphor Bronze/Tin-plated
 - Wafer: PA9T,UL94V-0
 - Color: Natural
 - *Mates with LDZY A1002 series Housing
- Ordering Information & Dimensions

Poles	Dimensions (mm)		
	A	B	C
2	1.00	3.90	2.50
3	2.00	4.90	3.50
4	3.00	5.90	4.50
5	4.00	6.90	5.50
6	5.00	7.90	6.50
7	6.00	8.90	7.50
8	7.00	9.90	8.50
9	8.00	10.90	9.50
10	9.00	11.90	10.50
11	10.00	12.90	11.50
12	11.00	13.90	12.50
13	12.00	14.90	13.50
14	13.00	15.90	14.50
15	14.00	16.90	15.50
16	15.00	17.90	16.50
17	16.00	18.90	17.50
18	17.00	19.90	18.50
19	18.00	20.90	19.50
20	19.00	21.90	20.50

A1002 WRAS-NP-9TNAT 1.0mm Pitch 90° SMT Single Row Wafer



Reference Informations:

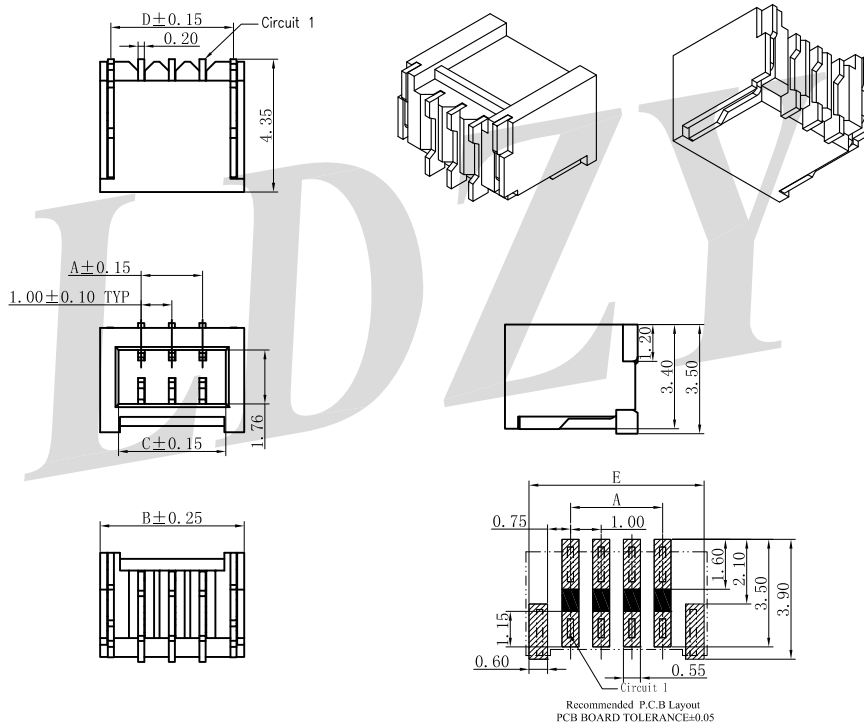
***Material:**

PIN: Phosphor Bronze/Tin-plated
 Solder Tabs: Phosphor Bronze/Tin-plated
 Wafer: PA9T,UL94V-0
 Color: Natural

*Mates with LDZY A1002 series Housing
 Ordering Information & Dimensions

Poles	Dimensions (mm)		
	A	B	C
2	1.00	3.90	2.50
3	2.00	4.90	3.50
4	3.00	5.90	4.50
5	4.00	6.90	5.50
6	5.00	7.90	6.50
7	6.00	8.90	7.50
8	7.00	9.90	8.50
9	8.00	10.90	9.50
10	9.00	11.90	10.50
11	10.00	12.90	11.50
12	11.00	13.90	12.50
13	12.00	14.90	13.50
14	13.00	15.90	14.50
15	14.00	16.90	15.50
16	15.00	17.90	16.50
17	16.00	18.90	17.50
18	17.00	19.90	18.50
19	18.00	20.90	19.50
20	19.00	21.90	20.50

A1002WVAS-NP-9TNAT 1.0mm Pitch 180° SMT Single Row Wafer



Reference Informations:

***Material:**

PIN: Phosphor Bronze/Tin-plated
 Solder Tabs: Phosphor Bronze/Tin-plated
 Wafer: PA9T,UL94V-0
 Color: Natural

*Mates with LDZY A1002 series Housing
 Ordering Information & Dimensions

Poles	Dimensions (mm)				
	A	B	C	D	E
2	1.00	3.70	2.50	3.00	3.70
3	2.00	4.70	3.50	4.00	4.70
4	3.00	5.70	4.50	5.00	5.70
5	4.00	6.70	5.50	6.00	6.70
6	5.00	7.70	6.50	7.00	7.70
7	6.00	8.70	7.50	8.00	8.70
8	7.00	9.70	8.50	9.00	9.70
9	8.00	10.70	9.50	10.00	10.70
10	9.00	11.70	10.50	11.00	11.70
11	10.00	12.70	11.50	12.00	12.70
12	11.00	13.70	12.50	13.00	13.70
13	12.00	14.70	13.50	14.00	14.70
14	13.00	15.70	14.50	15.00	15.70
15	14.00	16.70	15.50	16.00	16.70
16	15.00	17.70	16.50	17.00	17.70
17	16.00	18.70	17.50	18.00	18.70
18	17.00	19.70	18.50	19.00	19.70
19	18.00	20.70	19.50	20.00	20.70
20	19.00	21.70	20.50	21.00	21.70