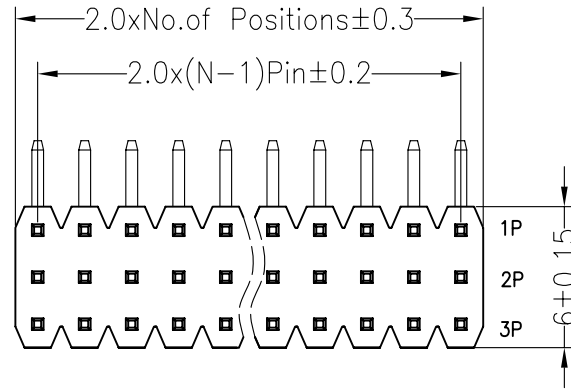


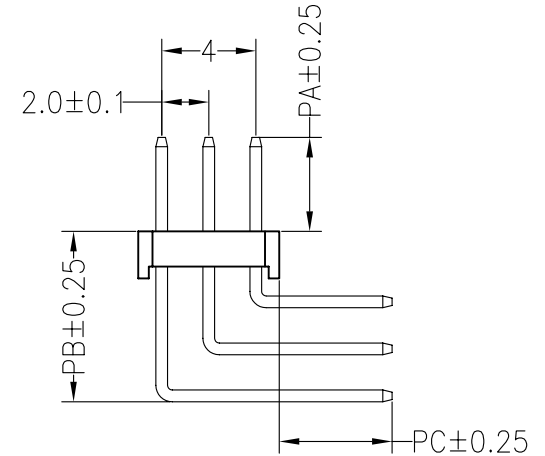
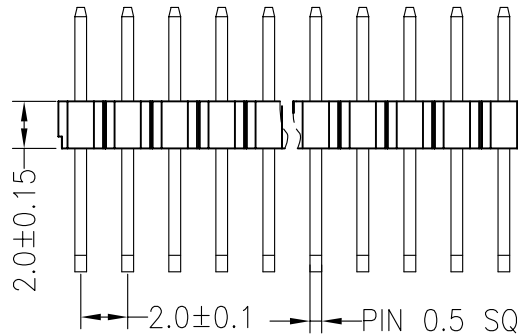
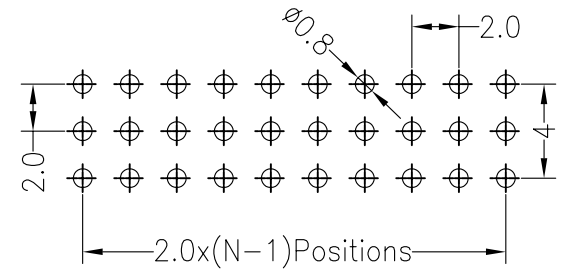
SPECIFICATIONS

Rated Current:1.5AMP
 Contact Resistance:20mΩ Max
 Withstand Voltage:500V AC/DC
 Insulation Resistance:1000MΩ Min
 Operation Temperature:-40°C to +105°C

Contact Material:Brass
 Contact Plating:Au or Sn Over Ni
 Insulator Material:Polyester(UL94V-0)
 Standard: PA6T
 Max.Processing Temp: 230°C for 30-60 seconds
 (260°C for 5 seconds)



Recommended P.C.B Layout(Top Side)
 (PCB BOARD TOLERANCE±0.05)



Dimension antitheses list				
ITEM	PA	PB	PC	L
Standard	4.00	7.40	2.80	10.50
Alternate				

				OPERATION		DRAW	BEN	15.01.28	SCALE	FIT	KLS ELECTRONIC CO., LTD		
				X.X	±0.30				UNIT	mm			
				X.XX	±0.20	CHECK		SIZE	A4	PART NO.			L-KLS1-207B-3-60-R1-2.8*4.0*10.5
A0	2015.01.28	NEW DRAWING		X.XXX	±0.10	APPROVE		SHEET	1/1	TITLE:			2.0PH 3xNpin H2.0mm 90°
REV	DATE	MODIFICATION DESCRIPTION	CHANGE	DIM	TOL			PROJ.	◆				