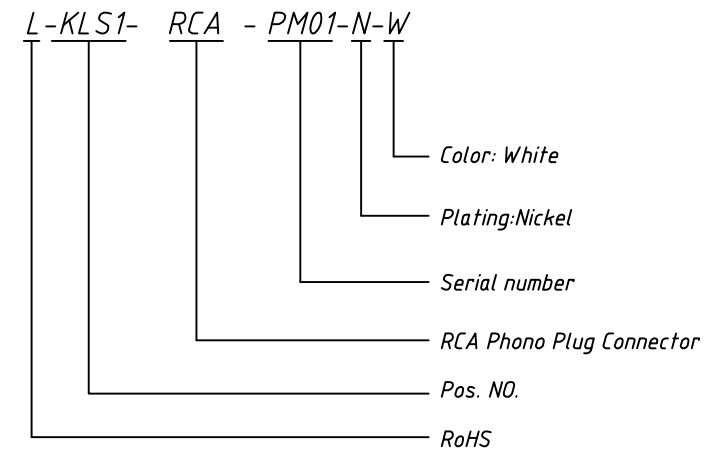


Connector Type:Phono (RCA) Plug
 Gender:Male
 Mounting Type:Free Hanging (In-Line)
 Termination:Solder Eyelet(s)
 Shielding:Unshielded
 Features:Strain Relief
 Color - Contact:Silver
 Packaging:Bulk
 Contact Material:Brass
 Plating:Nickel
 Housing Color:Black,Blue,Red,Green, Yellow.....
 Housing Material:Thermoplastic
 Operating Temperature:-20°C ~ 85°C

Order Information



GENERAL TOLERANCE	ANGLE TOLERANCE	PROJECTION	Description:
X. ±0.15	X. ±5°	UNITS	RCA Phono Plug Connector
.X ±0.03	.X ±3°	SHEET SIZE	
.XX ±0.05	.XX ±2°	KLS P/N:	

Draw by: Date	2018-03-10
Check by: Date	2018-03-10
SCALE	SHEET OF



NingBo KLS ELECTRONIC CO.,L TD.