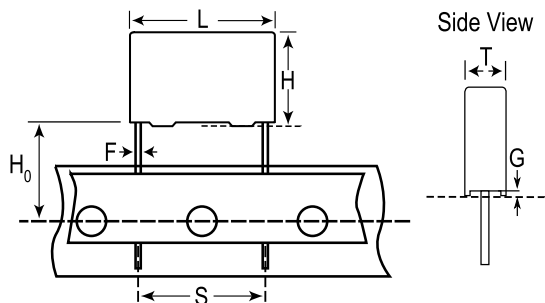


F611, Film, Metallized Polyester, General Purpose, 1000 pF, 5%, 1000 VDC, 85C, Lead Spacing = 5mm



Dimensions

L	7.2mm MAX
H	6.5mm MAX
T	2.5mm MAX
S	5mm +0.6/-0.1mm
H0	18.5mm +/-0.5mm
F	0.6mm +/-0.05mm
G	0.5mm NOM

Packaging Specifications

Packaging:	Ammo, 360x340x59mm, Box
Packaging Quantity:	3500

General Information

Supplier:	KEMET
Series:	F611
Dielectric:	Metallized Polyester
Style:	Radial
Features:	MKT (Wound), DC Multipurpose Applications
RoHS:	Yes
Lead:	Wire Leads
Miscellaneous:	The Rated Voltage Decreases 1.25%/C Between +85C And +105C (For +125C, Please Consult Kemet). This 5% tolerance part is available on request.. ClimCat: 55/105/56

Specifications

Capacitance:	1000 pF
Capacitance Tolerance:	5%
Voltage AC:	250 VAC
Voltage DC:	1000 VDC, 750 VDC (105C)
Temperature Range:	-55/+105C
Rated Temperature:	85C
Dissipation Factor:	0.8% 1kHz, 1.2% 10kHz, 2.5% 100kHz
Insulation Resistance:	30 GOhms
Max dV/dt:	100 V/us
Inductance:	6 nH

Statements of suitability for certain applications are based on our knowledge of typical operating conditions for such applications, but are not intended to constitute - and we specifically disclaim - any warranty concerning suitability for a specific customer application or use. This Information is intended for use only by customers who have the requisite experience and capability to determine the correct products for their application. Any technical advice inferred from this Information or otherwise provided by us with reference to the use of our products is given gratis, and we assume no obligation or liability for the advice given or results obtained.