

## TILT SENSOR SWITCH

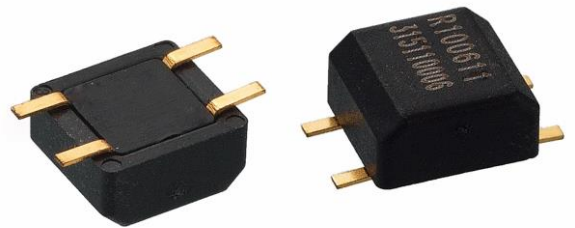
Item No.	RBS100611T	Description	Ball-Contact	Version	15
Page	1 of 7		Publish Date	May 9, 2018	

## ● FUNCTION

Rotation detection at 45° in vertical position.

## ● APPLICATIONS

1. Rotation Detection for kinds of monitor/device
2. Toys / Entertainment devices



## ● FEATURES

1. Suitable for vertical PCB.
2. Switch State: SMD Normal close.
3. Small size & compact space.
4. Housing made of high insulation plastic material, free from electric conduction and rust problem.
5. Terminals and balls are gold plated to enhance the life.
6. All plastic material subject to industrial purpose meets high temperature and fireproof function.
7. Simple switch signal, easy for circuit design.
8. Comply with RoHS, complete replacement of mercury switch and meet environmental protection.
9. More economic than IC design.
10. All made in Taiwan and examined before shipment.



## TILT SENSOR SWITCH

Item No.	RBS100611T	Description	Ball-Contact	Version	15
Page	2 of 7		Publish Date	May 9, 2018	

## ● PATENTS

1. Taiwan Patent No. I 239025
2. Taiwan Patent No. I 261280
3. Taiwan Patent No. M 455971
4. Taiwan Patent No. I 505313
5. U.S.A. Patent No. US 7,045,724 B1
6. U.S.A. Patent No. US 7,473,857 B2
7. U.S.A. Patent No. US 8,969,747 B2
8. China Patent No. ZL 200410091589.7
9. China Patent No. ZL 200610078234.3
10. China Patent No. ZL 201220661492.5
11. China Patent No. ZL 201210510604.1

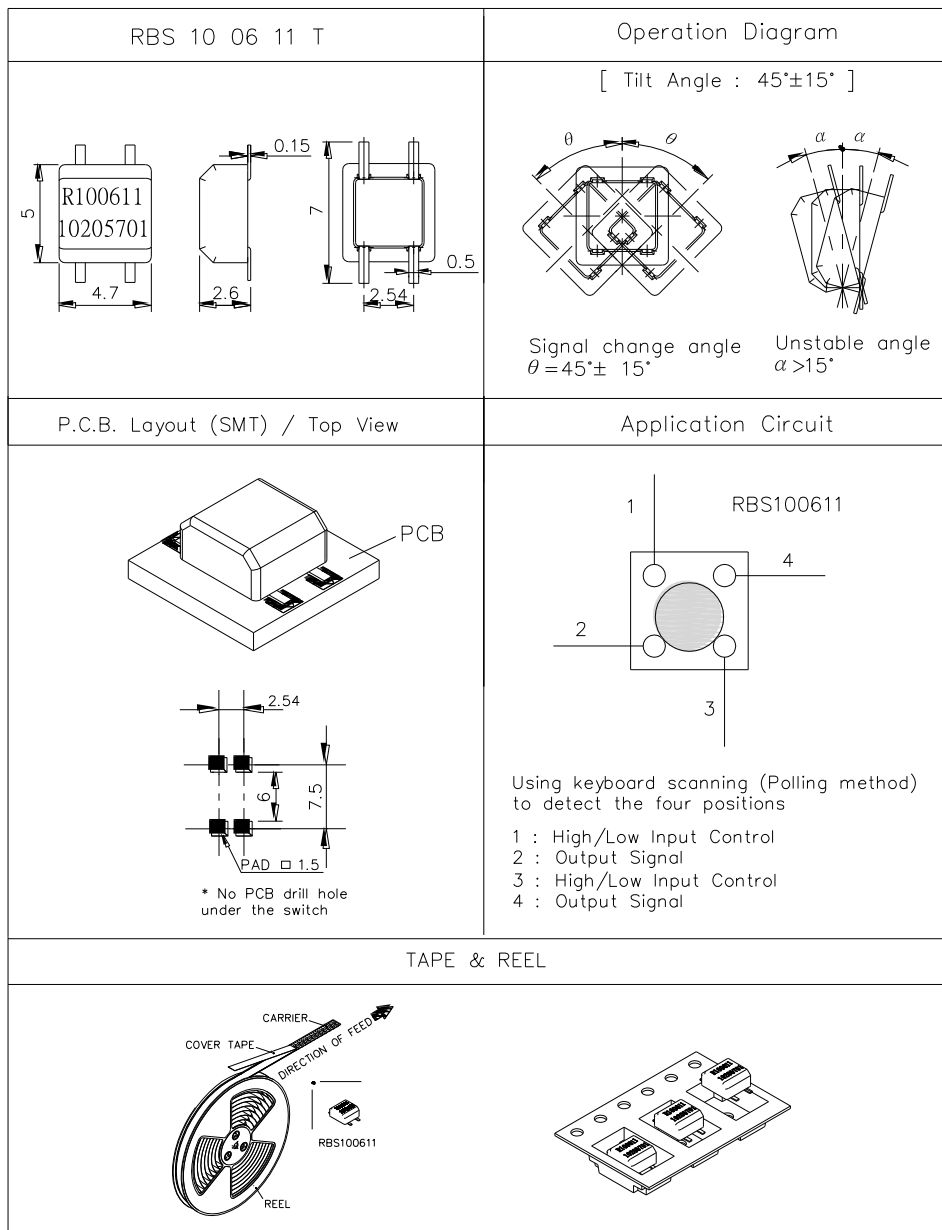


TILT SENSOR SWITCH

Item No.	RBS100611T	Description	Ball-Contact	Version	15
Page	3 of 7		Publish Date	May 9, 2018	

● DIMENSIONS / OPERATION / P.C.B. LAYOUT (Unit: mm, Tolerance: ±0.25mm)

Fig. 1



## TILT SENSOR SWITCH

Item No.	RBS100611T	Description	Ball-Contact	Version	15
Page	4 of 7		Publish Date	May 9, 2018	

● Current/Voltage Suggested

Input Current (mA)	Operating Voltage (V)	Condition
1.0	5~12	--

● ELECTRICAL CHARACTERISTICS

1.	Contact Rating	10 mA, 5VDC
2.	Contact Resistance	50 Ω max.
3.	Operation Diagram	Refer to Fig. 1
4.	Insulation Resistance	50 MΩ min. At 100 VDC
5.	Dielectric Strength	50 VDC min. For 1 minute
6.	Capacitance	5 pF max
7.	Conductive Rate	85% min.



## TILT SENSOR SWITCH

Item No.	RBS100611T	Description	Ball-Contact	Version	15
Page	5 of 7		Publish Date	May 9, 2018	

## ● RELIABLE TEST ITEMS

Reliable Test for RBS100611T

	Test Item	Contents
1	Operating Temperature	-25°C ~ 85°C
2	Storage Temperature	-40°C ~ 85°C
3	Humidity	40 °C / 95 %RH
4	Mechanical Life	2 Hz horizontal 1,000,000 times
5	Electrical Life	100,000 times

## ● SOLDERING CONDITION

Following soldering conditions are for reference only, please use soldering information that solder paste manufacturer recommends.

Condition	Soldering Temperature	Soldering Time	Wattage of Manual Soldering	Type
Suitable Production Process				
Manual Soldering	300±5°C	< 3 seconds max.	30W or Temperature-controlled manual soldering	SMD



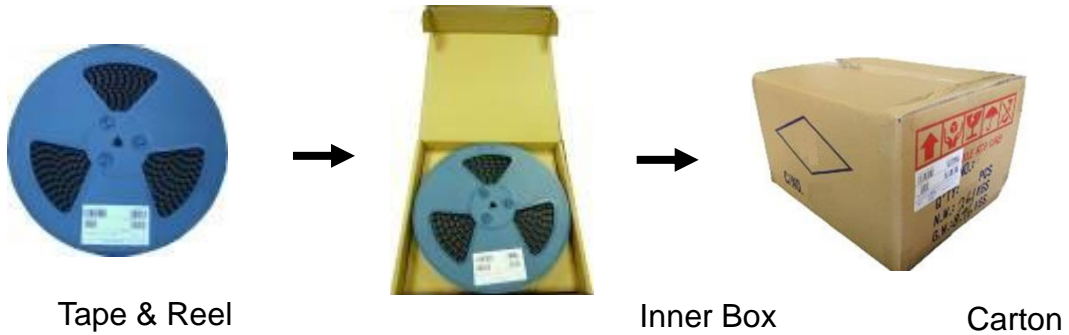
## TILT SENSOR SWITCH

Item No.	RBS100611T	Description	Ball-Contact	Version	15
Page	6 of 7		Publish Date	May 9, 2018	

● PACKAGE

	Parts No.	Package	Quantity	Total Quantity	Dimension(mm)
1.	RBS100611T	Tape & Reel	2,500 pcs	2,500 pcs	φ330*12.5H
		Inner box	2 Reels	5,000 pcs	355L*340W*68H
		Carton	4 Boxes	20,000 pcs	373L*358W*309H

※ Package shown as below for reference.



## TILT SENSOR SWITCH

Item No.	RBS100611T	Description	Ball-Contact	Version	15
Page	7 of 7		Publish Date	May 9, 2018	

## ● NOTES

1. Suggestion for usage: For vibration usage or application, we suggest to add hysteresis for IC; if vibration is heavy, optical type of sensor switch is recommended.
2. For the continued product improvement as one of the company policy, specifications may change or update without notice. The latest information can be obtained through our sales offices. Normally, all products are supplied under our standard conditions.
3. If buyer's products will stay in power supply for a long time which needs very high stability, optical sensor switch is strongly recommended.

## ● PRECAUTIONS FOR USE

1. If the products are intended to be used for other endurance equipment requiring higher safety and reliability such as life support system, space and aviation devices, disaster and safety system, it's necessary to make verification of conformity or contact us for the details before using.
2. Don't try to clean the switch with a solvent or similar substance after the soldering process.
3. Use water-soluble flux may damage the switch.
4. Please follow the soldering instruction accordingly, otherwise might lead to defective.
5. Do not use switch in the environment of high humidity, because such an environment may cause the leakage current between the terminals.
6. Please do not exceed the rated load as there will be a risk of disabling the product function.
7. In the circuit, switch should not be near or directly connected with the magnetic component solder joints (for example: relays, transformers, etc.).

