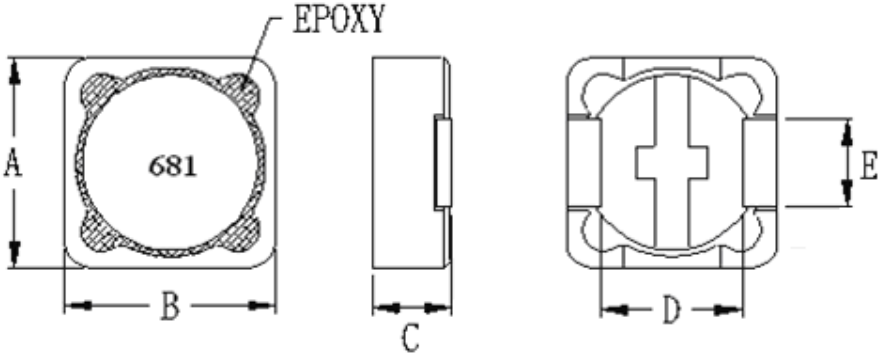
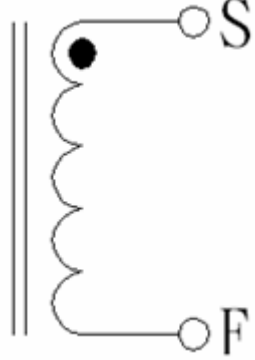


# SPECIFICATION FOR APPROVAL

CUSTOMER:		DATE:	
PART NO: SRI1207-681M		DWG.NO: MY16028291	
CUSTOMER PART NO:		CUST.DWG.NO:	
<p>(1) DIMENSION(UNIT: mm)</p> 		A	12.0 ± 0.5 m/m
		B	12.0 ± 0.5 m/m
		C	8.0 (MAX) m/m
		D	8.0 (REF) m/m
		E	5.0 (REF) m/m
		F	m/m
		G	m/m
		H	m/m
		I	m/m
		J	m/m
		(2)ELECTRICAL REQUIREMENTS	
L (uH)	680 ± 20%		
RDC (Ω)	1 (MAX)		
IDC (A)	1.1(MAX)		
TEST CONDITION	1KHZ / 1V		
		APPROVED BY	
		吳載敏	
		CHECKED BY	
		張明德	
		DRAWN BY	
		黃慧診	

**CORE MASTER ENTERPRISE CO., LTD.**

TEL:886-2-8919-1288    FAX:886-2-8919-1298    WEB:www.coremaster.com.tw

# TEST DATA

CUSTOMER:				DATE:			
PART NO: SRI1207-681M				DWG.NO: MY16028291			
CUSTOMER PART NO :				CUST.DWG.NO :			
TEST CONDITION: 1KHZ / 1V				DIMENSION (UNIT : mm)			
ITEM	L (uH)	RDC (Ω)	IDC (A)	A	B	C	
SPEC	680 ± 20%	1 (MAX)	1.1 (MAX)	12.0 ± 0.5	12.0 ± 0.5	8.0 (MAX)	
1	674.5	0.86	OK	12.11	12.06	7.60	
2	665.9	0.88	OK	12.06	12.09	7.63	
3	669.7	0.89	OK	12.07	12.15	7.66	
4	668.5	0.90	OK	12.07	12.16	7.63	
5	673.2	0.87	OK	12.15	12.10	7.60	
6	669.7	0.89	OK	12.07	12.15	7.66	
7	673.2	0.87	OK	12.15	12.10	7.60	
8	674.5	0.86	OK	12.11	12.06	7.60	
9	668.5	0.90	OK	12.07	12.16	7.63	
10	665.9	0.88	OK	12.06	12.09	7.63	
$\bar{X}$	670.36	0.88		12.092	12.112	7.624	
R	8.6	0.04		0.09	0.1	0.06	
TEST INSTRUMENTS HIOKI3532-50 LCR METER VR-131 RDC METER CH-301A BA/S CURRENT				APPROVED BY			
				吳載敏			
				CHECKED BY			
				張明德			
				DRAWN BY			
				黃慧診			

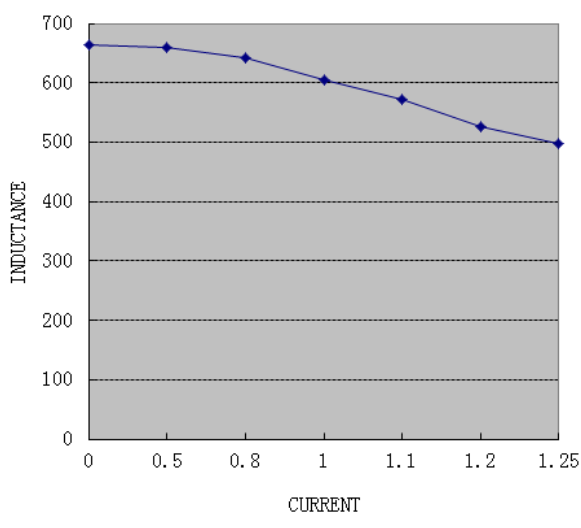
**CORE MASTER ENTERPRISE CO., LTD.**

TEL:886-2-8919-1288    FAX:886-2-8919-1298    WEB:www.coremaster.com.tw

# INDUCTANCE VS CURRENT

CUSTOMER:	DATE:
PART NO: SRI1207-681M	DWG.NO: MY028291
CUSTOMER PART NO :	CUST.DWG.NO :

CURRENT VS INDUCTANCE					
IDC(A)	INDUCTION(uH)				
0	663				
0.50	659				
0.80	641				
1.00	604				
1.10	573				
1.20	526				
1.25	497				



APPROVED BY 吳載敏	CHECKED BY 張明德	DRAWN BY 黃慧診
--------------------	-------------------	-----------------