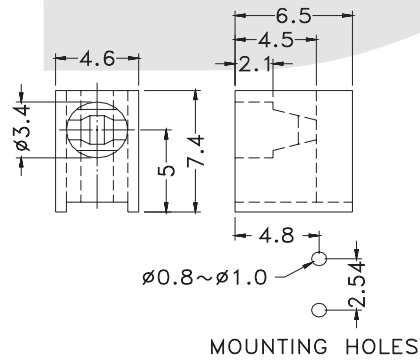


Led Spacer Support Series

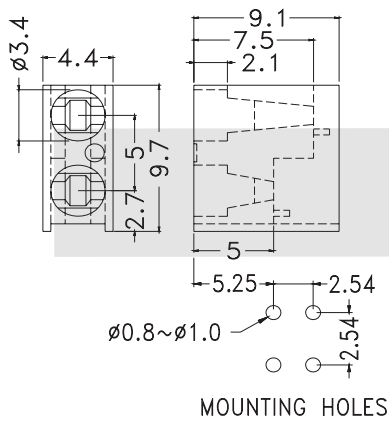
KLS8-0121 Led Spacer Support Series

Material: UL approved Nylon 66, 94V-2
Unit:mm

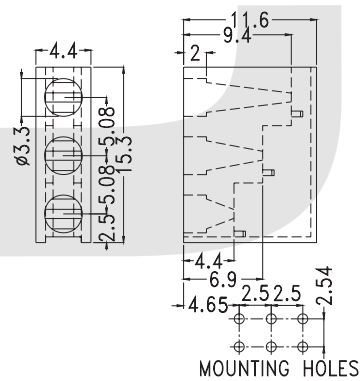
KLS8-0119-LED-3



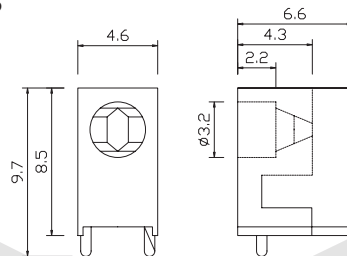
KLS8-0120-LED-3



KLS8-0121-LED-3



KLS8-0134-LED-3



ORDER INFORMATION

KLS8-0119-LED-3

- LED OD
- Led Spacer Support Series
- Part Number