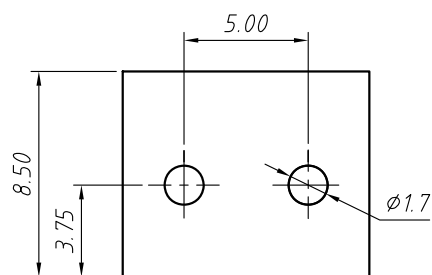


SECTION A-A





**Material**  
 Housing: PA66, UL 94V-0  
 Pin header: Brass, Tin plated

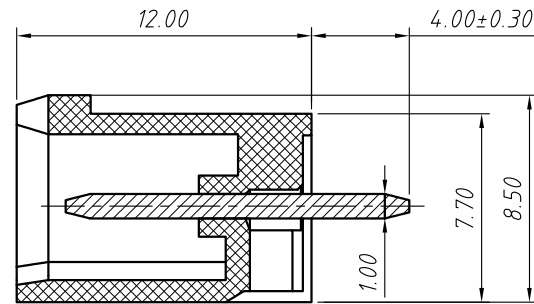
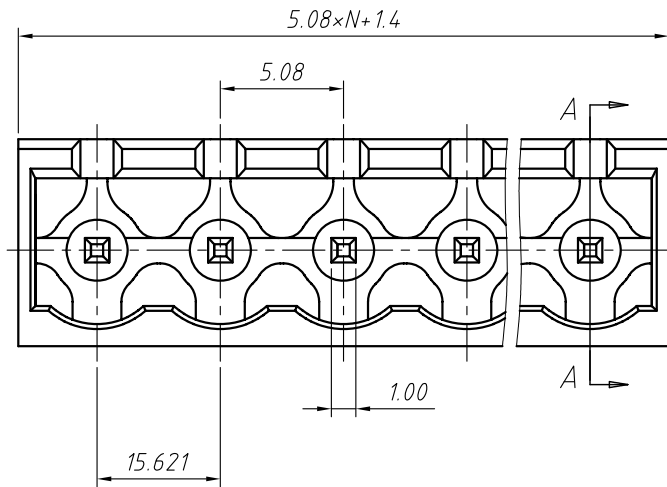
**Electrical**  
 Rated voltage: 300V  
 Rated current: 15A  
 Contact Resistance: 20 mΩ  
 Insulation resistance: 500MΩ/DC500V  
 Withstand voltage: AC2000V / 1 min

**Mechanical**  
 Temp. Range: -40 °C ~ +105 °C

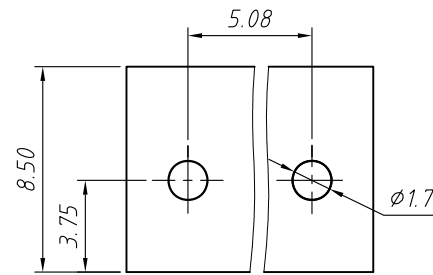
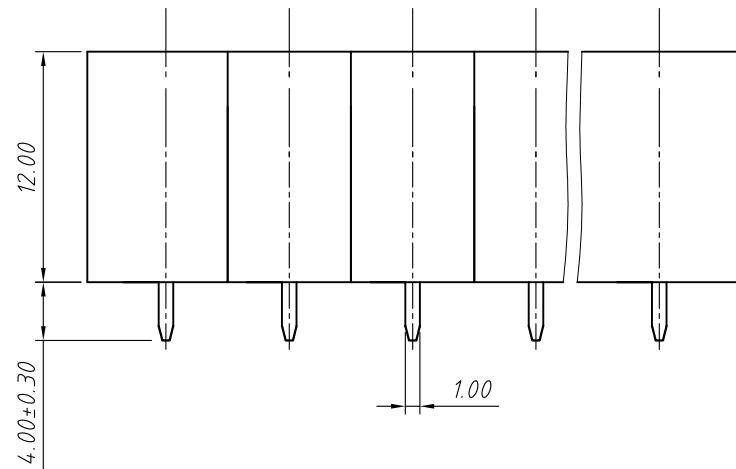
**Order Information**

L-KLS2-EDVC-5.00-XXP-4 00  
 RoHS  
 Terminal Block  
 Pitch  
 No.: of Pole  
 Color: 4- Green  
 Product Code: 00~99

GENERAL TOLERANCE		ANGLE TOLERANCE		Description:	
X. ±0.60		X. ±5°		Pluggable Terminal Block 5.00 MM	
.X ±0.38		.X ±3°		KLS P/N:	KLS2-EDVC-5.00-XXP-4-00
.XX ±0.25		.XX ±2°		 NingBo KLS ELECTRONIC CO.,L TD.	
Draw by	2015-09-01	PROJECTION			
Check by	2015-09-15	UNITS	mm		
SCALE		SHEET SIZE	A4		



SECTION A-A



PCB LAYOUT

**Material**  
Housing: PA66, UL 94V-0  
Pin header: Brass, Tin plated

**Electrical**  
Rated voltage: 300V  
Rated current: 15A  
Contact Resistance: 20 mΩ  
Insulation resistance: 500MΩ/DC500V  
Withstand voltage: AC2000V / 1 min

**Mechanical**  
Temp. Range: -40 °C ~ +105 °C

**Order Information**

L-KLS2-EDVC-5.08-XXP-4 00

RoHS  
Terminal Block  
Pitch  
No.: of Pole  
Color: 4- Green  
Product Code: 00~99

GENERAL TOLERANCE		ANGLE TOLERANCE		Description:	
X. ±0.60		X. ±5°		Pluggable Terminal Block 5.08 MM	
.X ±0.38		.X ±3°			
.XX ±0.25		.XX ±2°		KLS P/N:	KLS2-EDVC-5.08-XXP-4-00
Draw by	2015-09-01	PROJECTION			NingBo KLS ELECTRONIC CO.,L TD.
Check by	2015-09-15	UNITS	mm		
SCALE		SHEET SIZE	A4		