

1
RoHS Compliance

2

3

4

5

6

7

8

A

B

C

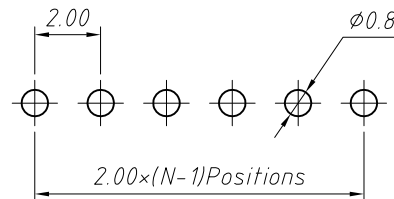
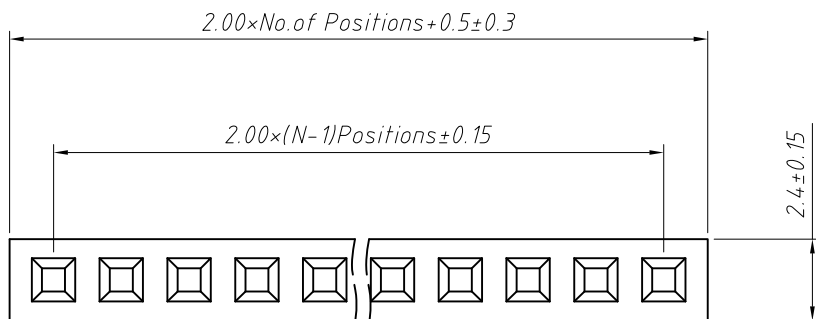
D

E

F

G

H

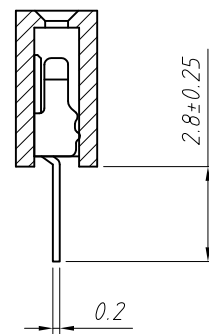
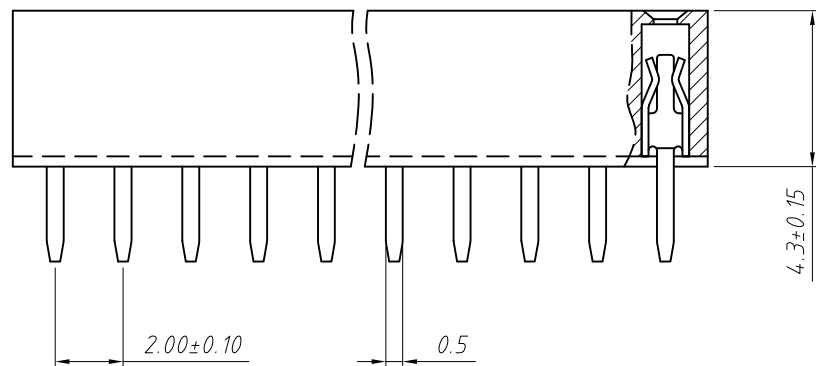


Recommended P.C.B Layout (Top Side)
(PCB BOARD TOLERANCE ± 0.05)

Material:
Standard: PBT/PA6T
Contact: Brass
Plating: Au or Sn Over Ni
Insulator: Polyester, UL94V-0

Electrical Characteristics:
Rated Current: 1.5AMP
Contact Resistance: 20mΩ Max
Withstand Voltage: 500V AC/DC
Insulator Resistance: 1000MΩ Min

Mechanical
Operating Temperature: -40°C ~ +105°C
Max. Processing Temp: 230°C for 30-60 seconds (260°C for 10 seconds)



Order Information:
L-KLS1-208B-4.3-1-XX-S-B

L: RoHS
Female Header
Series 208B: 2.00mm
Plastics Height: 4.3mm
Per Row: Single layer
Pin: No. of Pins (1x40)
Type: Straight Pin
Material: A=PBT B=PA6T C=LCP

ANGLE TOLERANCE	PROJECTION	Description:
±3°		2.0x4.3mm Female Header Single layer, Straight Pin, 1xN Pin
GENERAL TOLERANCE	UNITS	mm
x.x ±0.30	SHEET SIZE	A4
x.xx ±0.20	Draw:	Daniel 2018-07-10
x.xxx ±0.10	Check:	Daniel 2018-07-10
L-KLS1-208B-4.3-1-XX-S-B		
NingBo KLS ELECTRONIC CO.,L TD.		

1

2

3

4

5

6

7

8

A

B

C

D

E

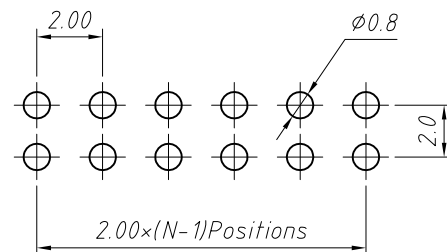
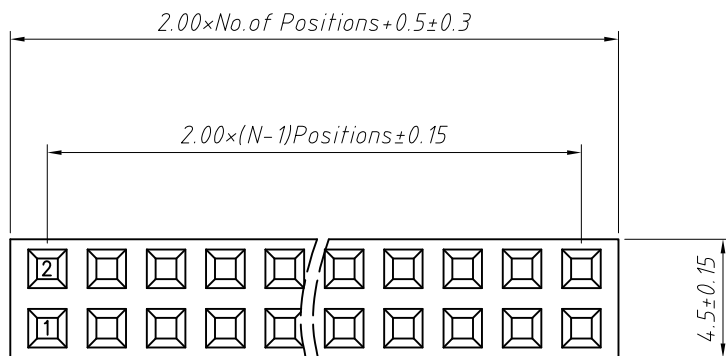
F

G

H

1
RoHS Compliance

A
B
C
D
E
F
G
H

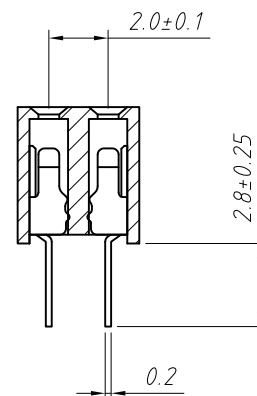
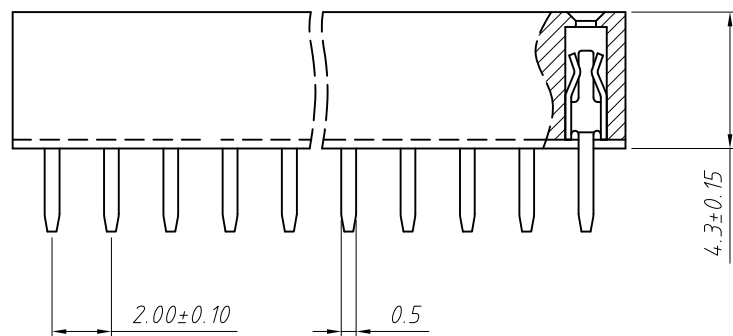


Recommended P.C.B Layout (Top Side)
(PCB BOARD TOLERANCE ± 0.05)

Material:
Standard: PBT/PA6T
Contact: Brass
Plating: Au or Sn Over Ni
Insulator: Polyester, UL94V-0

Electrical Characteristics:
Rated Current: 1.5AMP
Contact Resistance: 20mΩ Max
Withstand Voltage: 500V AC/DC
Insulator Resistance: 1000MΩ Min

Mechanical
Operating Temperature: -40°C ~ +105°C
Max. Processing Temp: 230°C for 30-60 seconds (260°C for 10 seconds)



Order Information:
L-KLS1-208B-4.3-2-XX-S-B
L: RoHS
Female Header
Series 208B: 2.00mm
Plastics Height: 4.3mm
Per Row: Double layer
Pin: No. of Pins (2x40)
Type: Straight Pin
Material: A=PBT B=PA6T C=LCP

ANGLE TOLERANCE	PROJECTION	Description:	2.0x4.3mm Female Header Double layer, Straight Pin, 2xN Pin	
±3°				
GENERAL TOLERANCE	UNITS	mm	KLS P/N:	L-KLS1-208B-4.3-2-XX-S-B
x.x ±0.30	SHEET SIZE	A4		
x.xx ±0.20	Draw:	Daniel	2018-07-10	
x.xxx ±0.10	Check:	Daniel	2018-07-10	

NingBo KLS ELECTRONIC CO.,L TD.

A
B
C
D
E
F
G
H

1 2 3 4 5 6 7 8

1
RoHS Compliance

2

3

4

5

6

7

8

A

B

C

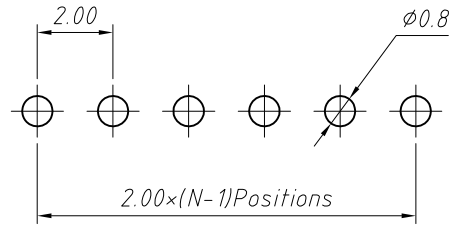
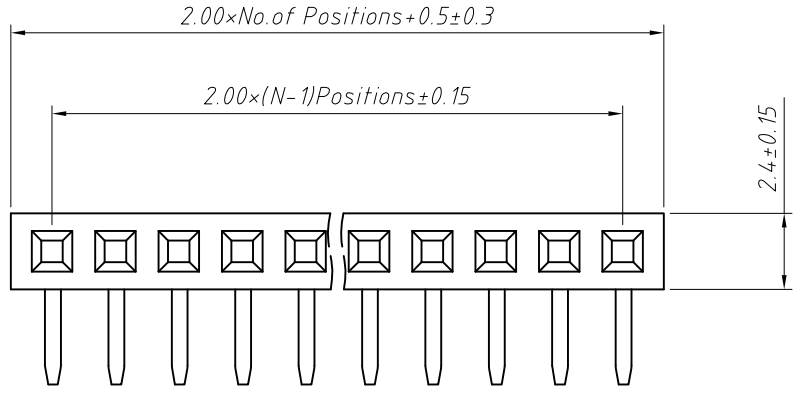
D

E

F

G

H

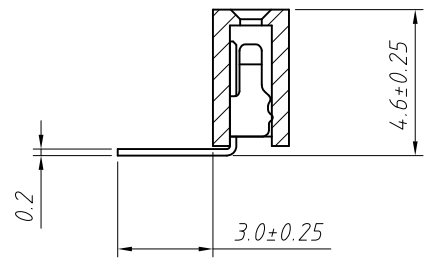
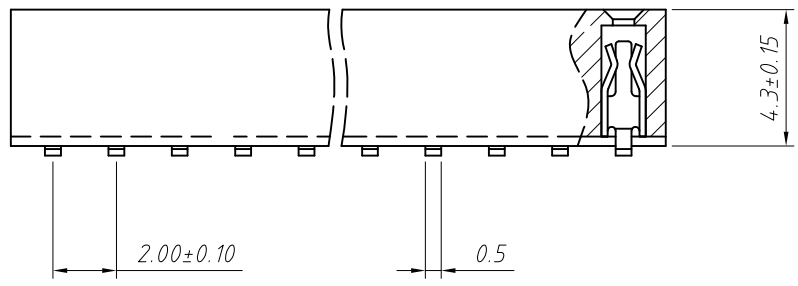


Recommended P.C.B Layout (Top Side)
(PCB BOARD TOLERANCE ±0.05)

Material:
Standard: PBT/PA6T
Contact: Brass
Plating: Au or Sn Over Ni
Insulator: Polyester, UL94V-0

Electrical Characteristics:
Rated Current: 1.5AMP
Contact Resistance: 20mΩ Max
Withstand Voltage: 500V AC/DC
Insulator Resistance: 1000MΩ Min

Mechanical
Operating Temperature: -40°C ~ +105°C
Max. Processing Temp: 230°C for 30-60 seconds (260°C for 10 seconds)



Order Information:
L-KLS1-208B-4.3-1-XX-R1-B

- L: RoHS
- Female Header
- Series 208B: 2.00mm
- Plastics Height: 4.3mm
- Per Row: Single layer
- Pin: No. of Pins (1x40)
- Right Angle Pin: R1 Type
- Material: A=PBT B=PA6T C=LCP

ANGLE TOLERANCE	PROJECTION	Description:	2.0x4.3mm Female Header	
±3°			Single layer, Right Angle Pin, 1xN Pin	
GENERAL TOLERANCE	UNITS	mm	KLS P/N:	L-KLS1-208B-4.3-1-XX-R1-B
x.x ±0.30	SHEET SIZE	A4		
x.xx ±0.20	Draw:	Daniel	2018-07-10	
x.xxx ±0.10	Check:	Daniel	2018-07-10	

NingBo KLS ELECTRONIC CO.,L TD.

1

2

3

4

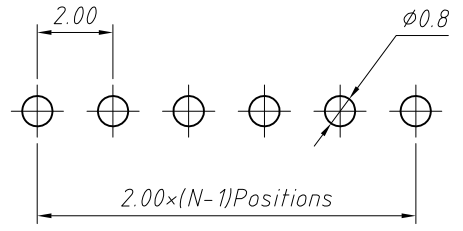
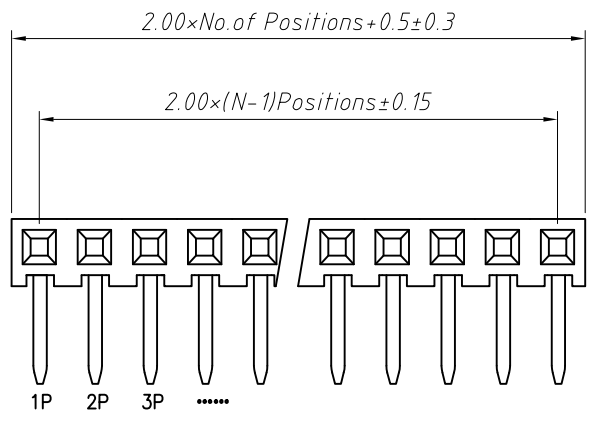
5

6

7

8

1
RoHS Compliance

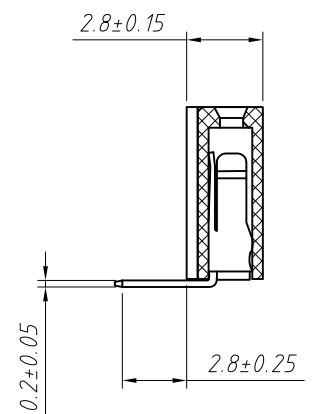
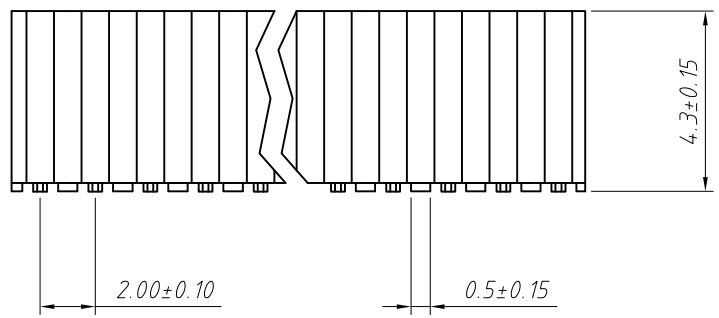


Recommended P.C.B Layout (Top Side)
(PCB BOARD TOLERANCE±0.05)

Material:
Standard:PBT/PA6T
Contact:Brass
Plating: Au or Sn Over Ni
Insulator: Polyester, UL94V-0

Electrical Characteristics:
Rated Current: 1.5AMP
Contact Resistance: 20mΩ Max
Withstand Voltage: 500V AC/DC
Insulator Resistance: 1000MΩ Min

Mechanical
Operating Temperature: -40°C ~ +105°C
Max.Processing Temp: 230°C for 30-60 seconds (260°C for 10 seconds)



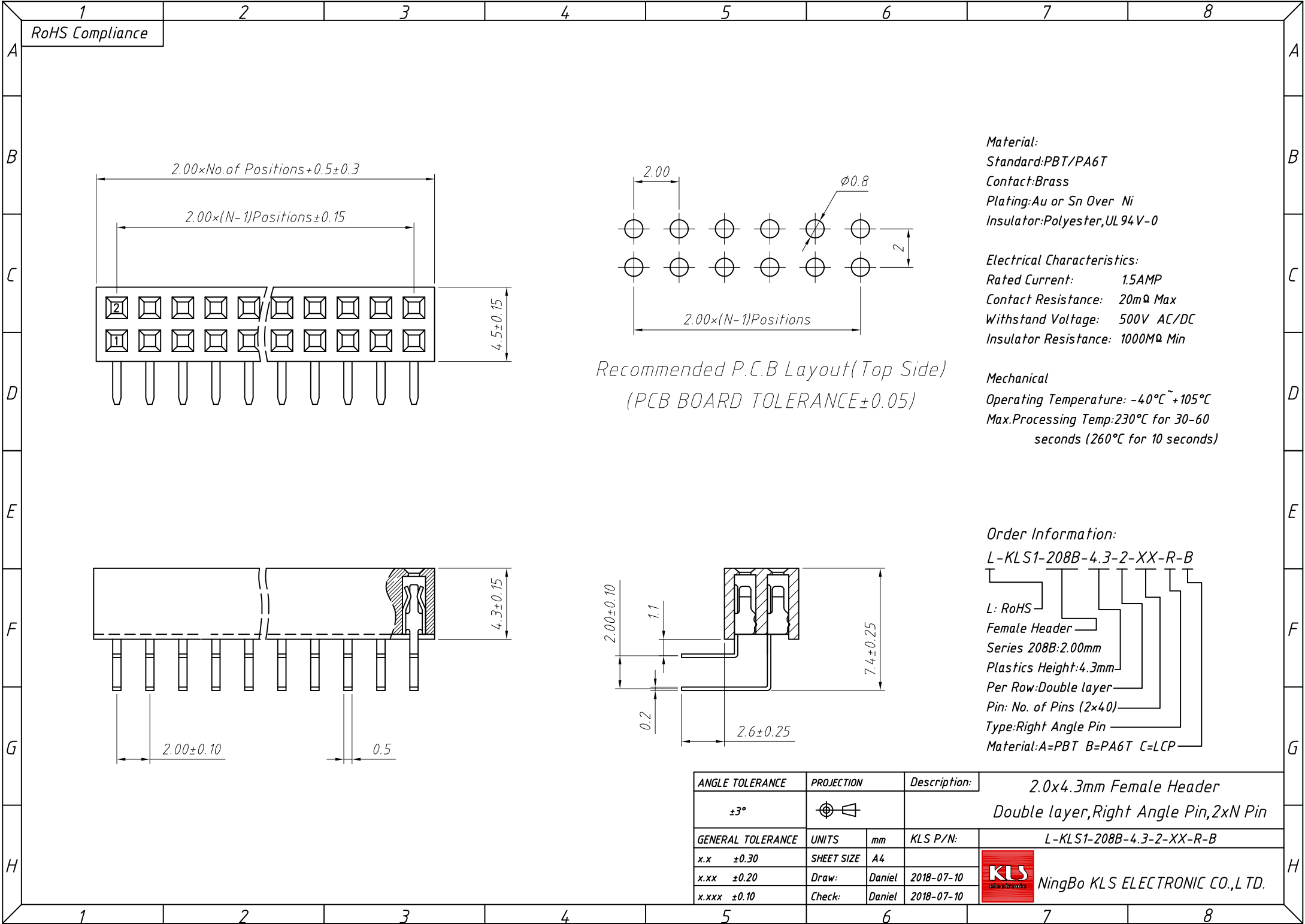
Order Information:
L-KLS1-208B-4.3-1-XX-R2-B

L: RoHS
Female Header
Series 208B: 2.00mm
Plastics Height: 4.3mm
Per Row: Single layer
Pin: No. of Pins (1x40)
Right Angle Pin: R2 Type
Material: A=PBT B=PA6T C=LCP

ANGLE TOLERANCE	PROJECTION	Description:	2.0x4.3mm Female Header Single layer, Right Angle Pin, 1xN Pin	
±3°				
GENERAL TOLERANCE	UNITS	mm	KLS P/N:	L-KLS1-208B-4.3-1-XX-R2-B
x.x ±0.30	SHEET SIZE	A4		
x.xx ±0.20	Draw:	Daniel	2018-07-10	
x.xxx ±0.10	Check:	Daniel	2018-07-10	

NingBo KLS ELECTRONIC CO.,L TD.

1
RoHS Compliance



Material:
Standard:PBT/PA6T
Contact:Brass
Plating:Au or Sn Over Ni
Insulator:Polyester,UL94V-0

Electrical Characteristics:
Rated Current: 1.5AMP
Contact Resistance: 20mΩ Max
Withstand Voltage: 500V AC/DC
Insulator Resistance: 1000MΩ Min

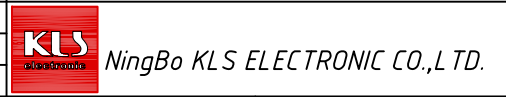
Mechanical
Operating Temperature: -40°C ~ +105°C
Max.Processing Temp:230°C for 30-60 seconds (260°C for 10 seconds)

Recommended P.C.B Layout (Top Side)
(PCB BOARD TOLERANCE ±0.05)

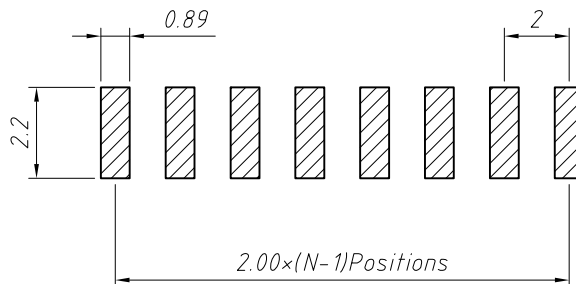
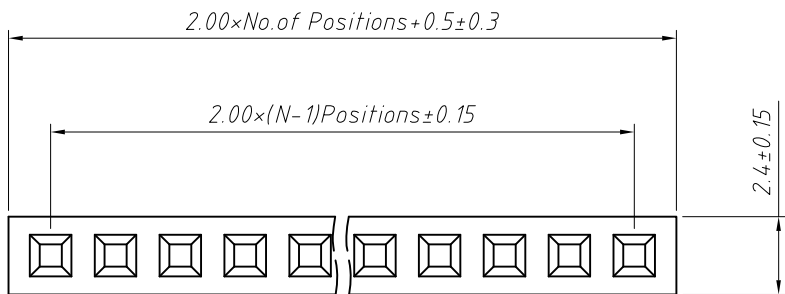
Order Information:
L-KLS1-208B-4.3-2-XX-R-B

L: RoHS
Female Header
Series 208B:2.00mm
Plastics Height:4.3mm
Per Row:Double layer
Pin: No. of Pins (2x40)
Type:Right Angle Pin
Material:A=PBT B=PA6T C=LCP

ANGLE TOLERANCE	PROJECTION	Description:	2.0x4.3mm Female Header Double layer,Right Angle Pin,2xN Pin
±3°			
GENERAL TOLERANCE	UNITS	mm	KLS P/N:
x.x ±0.30	SHEET SIZE	A4	L-KLS1-208B-4.3-2-XX-R-B
x.xx ±0.20	Draw:	Daniel	2018-07-10
x.xxx ±0.10	Check:	Daniel	2018-07-10



1 RoHS Compliance

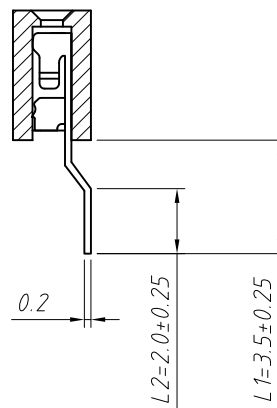
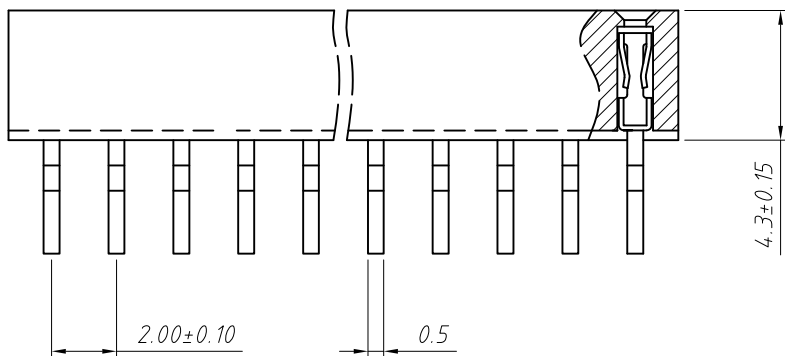


Recommended P.C.B Layout (Top Side)
(PCB BOARD TOLERANCE ± 0.05)

Material:
Standard: PA6T
Contact: Phosphor Bronze
Plating: Au or Sn Over Ni
Insulator: Polyester, UL 94V-0

Electrical Characteristics:
Rated Current: 1.5AMP
Contact Resistance: 20mΩ Max
Withstand Voltage: 500V AC/DC
Insulator Resistance: 1000MΩ Min

Mechanical
Operating Temperature: -40°C ~ +105°C
Max. Processing Temp: 230°C for 30-60 seconds (260°C for 10 seconds)



Order Information:

L-KLS1-208B-4.3-1-XX-RM-L1xL2-N-B-R

L: RoHS
Female Header
Series 208B: 2.00mm
Plastics Height: 4.3mm
Per Row: Single layer
Pin: No. of Pins (1x40)
SMT Type: Horizontal SMT
Size: L1xL2
Post: W=With Post N=W/O Post
Material: A=PBT B=PA6T C=LCP
Packing:
A=Tray T=Tube M=Reel+Mylar
P=Tube+Cap R=Reel+Cap

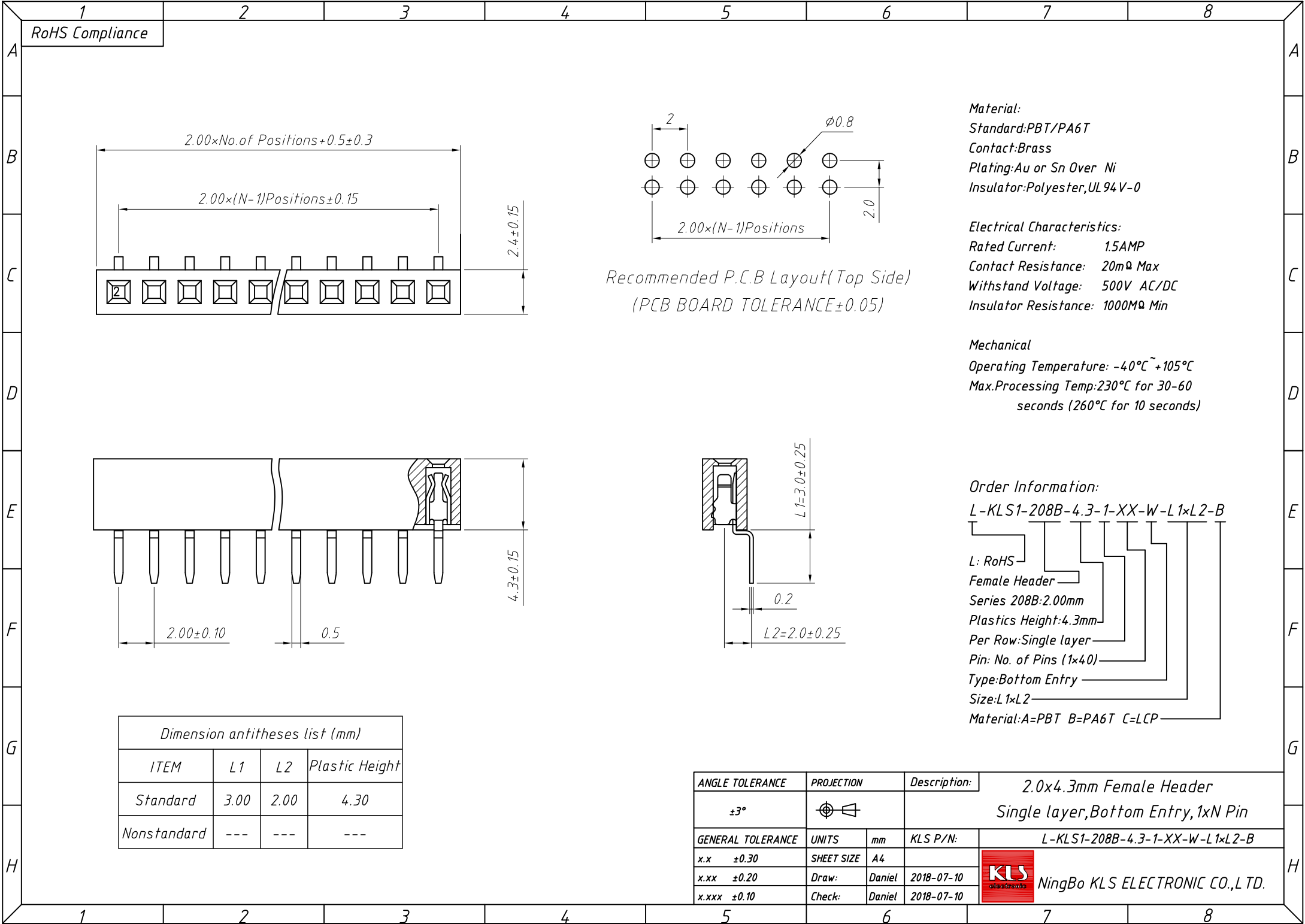
Dimension antitheses list (mm)			
ITEM	L1	L2	Plastic Height
Standard	3.50	2.00	4.30
Nonstandard	---	---	---

ANGLE TOLERANCE	PROJECTION	Description:
±3°		2.0x4.3mm Female Header Single layer, Horizontal SMT, 1xN Pin
GENERAL TOLERANCE	UNITS	mm
x.x ±0.30	SHEET SIZE	A4
x.xx ±0.20	Draw:	Daniel 2018-07-10
x.xxx ±0.10	Check:	Daniel 2018-07-10

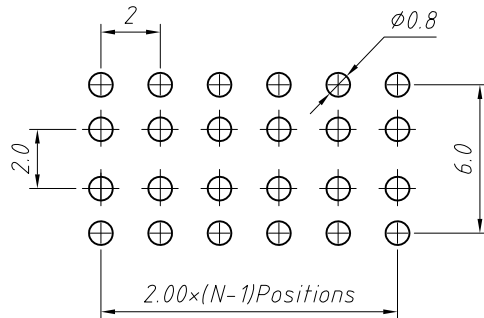
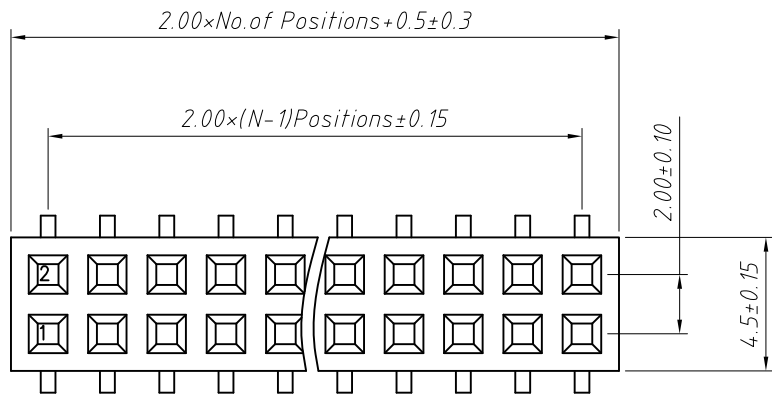


NingBo KLS ELECTRONIC CO., L TD.

1
RoHS Compliance



1 RoHS Compliance

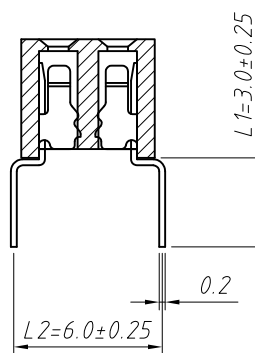
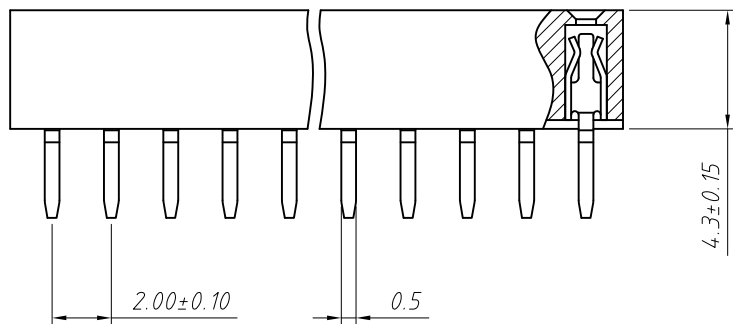


Recommended P.C.B Layout (Top Side)
(PCB BOARD TOLERANCE ± 0.05)

Material:
Standard: PBT/PA6T
Contact: Brass
Plating: Au or Sn Over Ni
Insulator: Polyester, UL94V-0

Electrical Characteristics:
Rated Current: 1.5AMP
Contact Resistance: 20mΩ Max
Withstand Voltage: 500V AC/DC
Insulator Resistance: 1000MΩ Min

Mechanical
Operating Temperature: -40°C ~ +105°C
Max. Processing Temp: 230°C for 30-60 seconds (260°C for 10 seconds)



Order Information:
L-KLS1-208B-4.3-2-XX-W-L1xL2-B

- L: RoHS
- Female Header
- Series 208B: 2.00mm
- Plastics Height: 4.3mm
- Per Row: Double layer
- Pin: No. of Pins (2x40)
- Type: Bottom Entry
- Size: L1xL2
- Material: A=PBT B=PA6T C=LCP

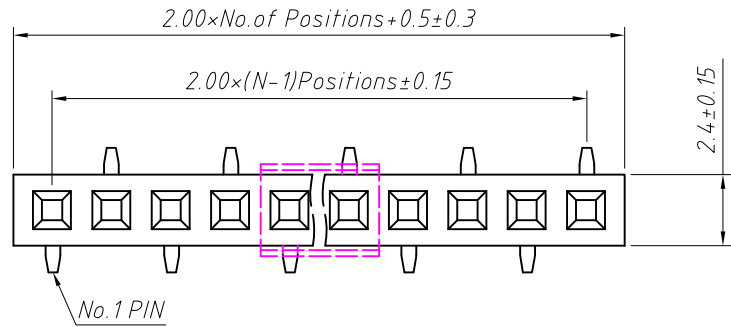
Dimension antitheses list (mm)			
ITEM	L1	L2	Plastic Height
Standard	3.00	6.00	4.30
Nonstandard	---	---	---

ANGLE TOLERANCE	PROJECTION	Description:
±3°		2.0x4.3mm Female Header Double layer, Bottom Entry, 2xN Pin
GENERAL TOLERANCE	UNITS	mm
x.x ±0.30	SHEET SIZE	A4
x.xx ±0.20	Draw:	Daniel 2018-07-10
x.xxx ±0.10	Check:	Daniel 2018-07-10

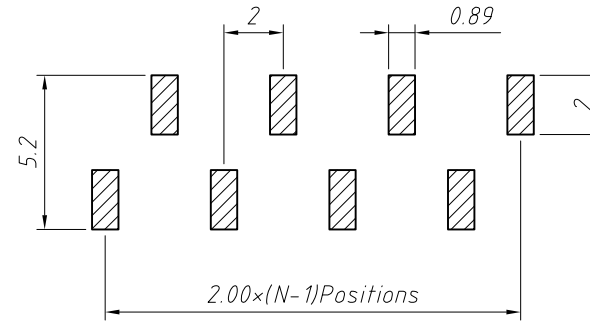


NingBo KLS ELECTRONIC CO.,LTD.

RoHS Compliance



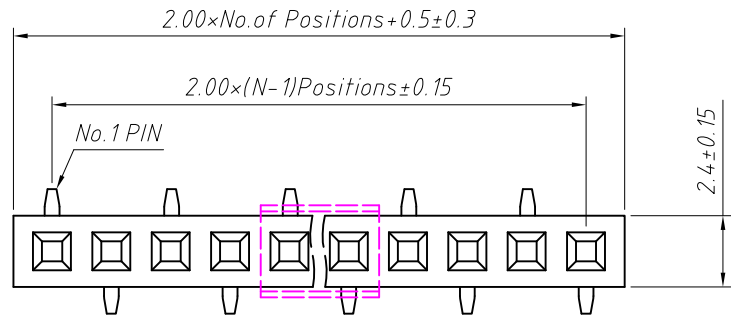
T2 Type



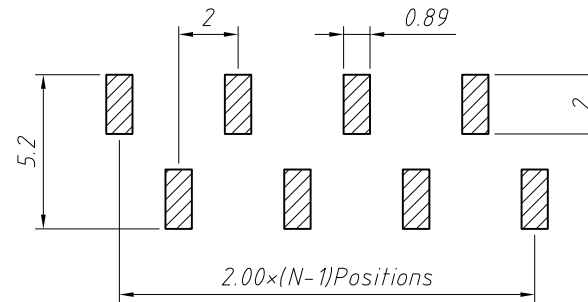
Material:
Standard: PA6T
Contact: Brass
Contact plating: Au or Sn over Ni
Nickel Insulator: Polyester, UL 94 V-0

Electrical Characteristics:
Rated Current: 1.5AMP
Contact Resistance: $20m\Omega$ Max
Withstand Voltage: 500V AC/DC
Insulator Resistance: $1000M\Omega$ Min

Mechanical
Operating Temperature: $-40^\circ\text{C} \sim +105^\circ\text{C}$
Max. Processing Temp: 230°C for 30-60 seconds (260°C for 10 seconds)



T1 Type

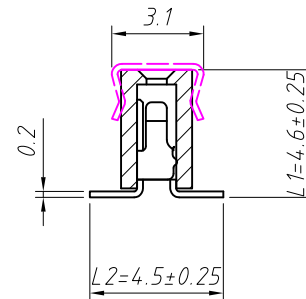
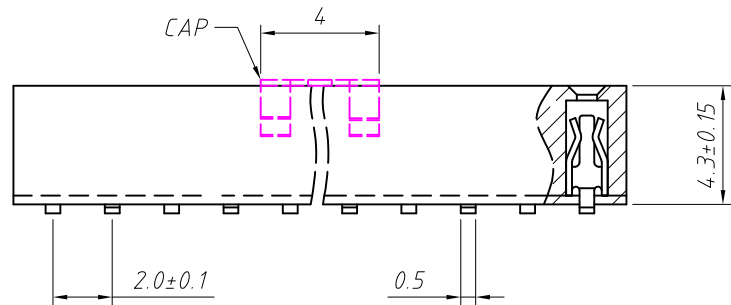


Recommended P.C.B Layout (Top Side)
(PCB BOARD TOLERANCE ± 0.05)

Order Information:

L-KLS1-208B-4.3-1-XX-T1-L1xL2-N-B-R

L: RoHS
Pin Header Series -
208B: 2.00mm
Plastics Height: 4.3mm
Per Row: Single layer
Pin: No. of Pins (1x40)
SMT Pin: T1 Type, T2 Type
Size: L1xL2
Post: W=With Post N=W/O Post
Material: A=PBT B=PA6T C=LCP
Packing:
A=Tray T=Tube M=Reel+Mylar
P=Tube+Cap R=Reel+Cap



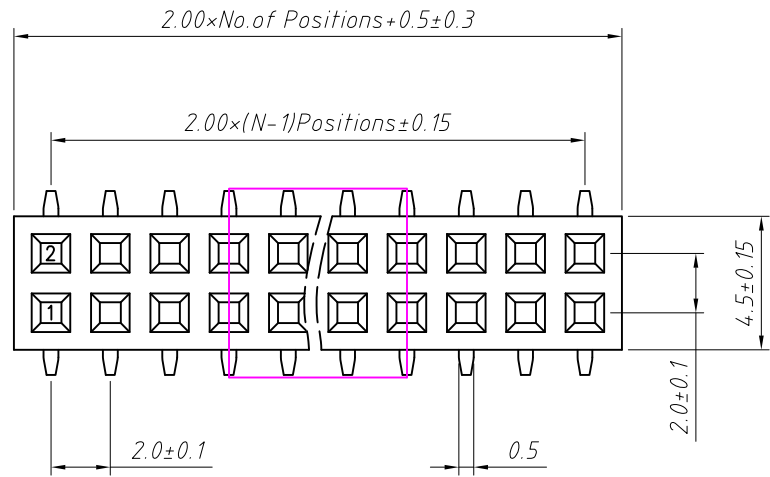
Dimension antitheses list (mm)			
ITEM	L1	L2	Plastic Height
Standard	4.60	4.50	4.30
Nonstandard	---	---	---

ANGLE TOLERANCE	PROJECTION	Description:	2.00mm Female Header Single layer, SMT Pin, 1xN Pin	
$\pm 3^\circ$				
GENERAL TOLERANCE	UNITS	mm	KLS P/N:	L-KLS1-208B-4.3-1-XX-T1-L1xL2-N-B-R
x.x	± 0.30	SHEET SIZE	A4	
x.xx	± 0.20	Draw:	Daniel	2018-07-10
x.xxx	± 0.10	Check:	Daniel	2018-07-10

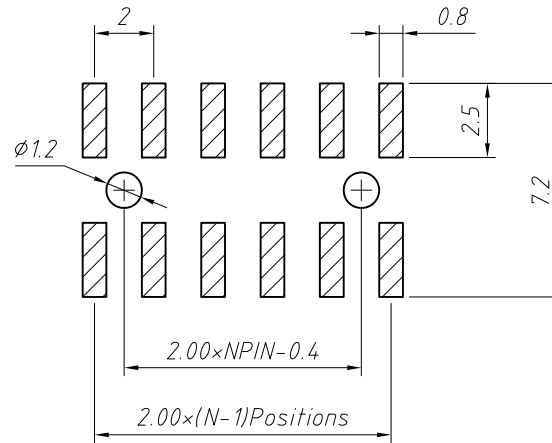


NingBo KLS ELECTRONIC CO.,L TD.

RoHS Compliance



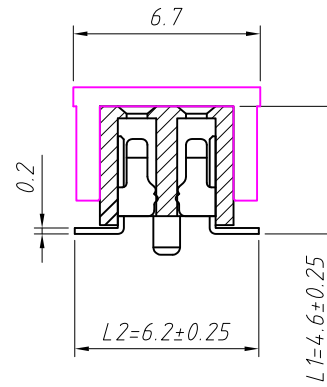
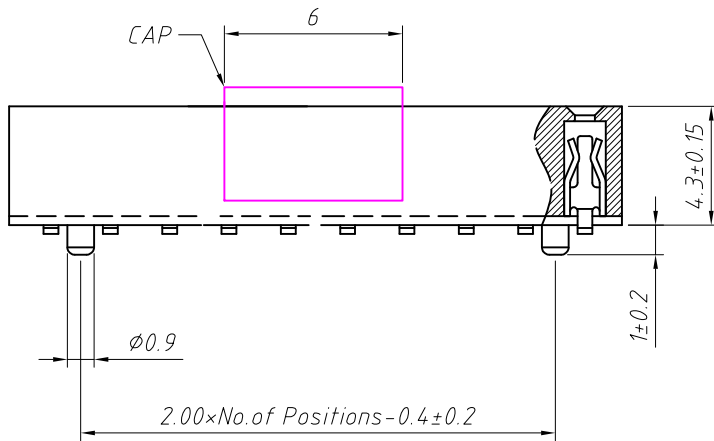
Recommended P.C.B Layout (Top Side)
(PCB BOARD TOLERANCE±0.05)



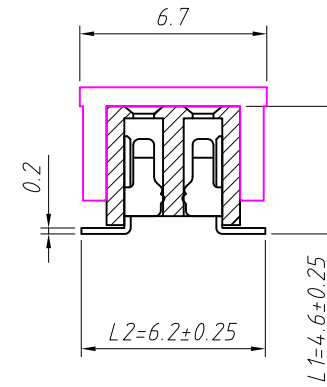
Material:
Standard:PA6T
Contact:Brass
Contact plating:Au or Sn over Ni
NickelInsulator:Polyester,UL94V-0

Electrical Characteristics:
Rated Current: 1.5AMP
Contact Resistance: 20mΩ Max
Withstand Voltage: 500V AC/DC
Insulator Resistance: 1000MΩ Min

Mechanical
Operating Temperature: -40°C ~ +105°C
Max.Processing Temp:230°C for 30-60 seconds (260°C for 10 seconds)



T3=With Post



T=Without Post

Order Information:

L-KLS1-208B-4.3-2-XX-T-L1xL2-B-R

L: RoHS
Pin Header Series-
208B:2.00mm
Plastics Height:4.3mm
Per Row:Double layer
Pin: No. of Pins (2x40)
SMT:T=Without Post,T3=With Post
Size:L1xL2
Material:A=PBT B=PA6T C=LCP
Packing:
A=Tray T=Tube M=Reel+Mylar
P=Tube+Cap R=Reel+Cap

Dimension antitheses list (mm)			
ITEM	L1	L2	Plastic Height
Standard	4.60	6.20	4.30
Nonstandard	---	---	---

ANGLE TOLERANCE	PROJECTION	Description:
±3°		2.00mm Female Header Double layer ,SMT Pin,2xN Pin
GENERAL TOLERANCE	UNITS	mm
x.x ±0.30	SHEET SIZE	A4
x.xx ±0.20	Draw:	Daniel 2018-07-10
x.xxx ±0.10	Check:	Daniel 2018-07-10



NingBo KLS ELECTRONIC CO.,L TD.