



Product

Compact SMT LED  
Connector

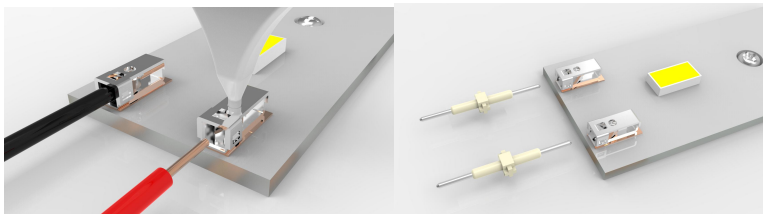
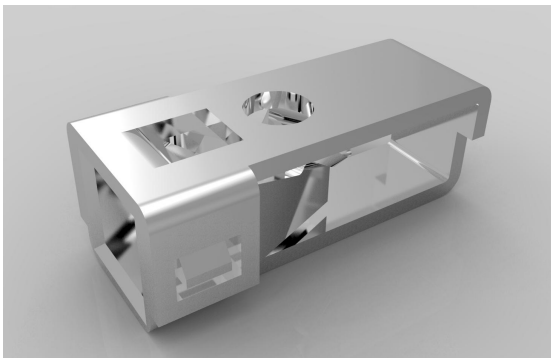
Model

B14

Order:

型号 极数 颜色 客户其它需求  
Serie No. No. of pole Color Customer Request

<input type="text"/>	<input type="text"/>	<input type="text"/>	P	silver white	<input type="text"/>
----------------------	----------------------	----------------------	---	-----------------	----------------------



see the  
attachment

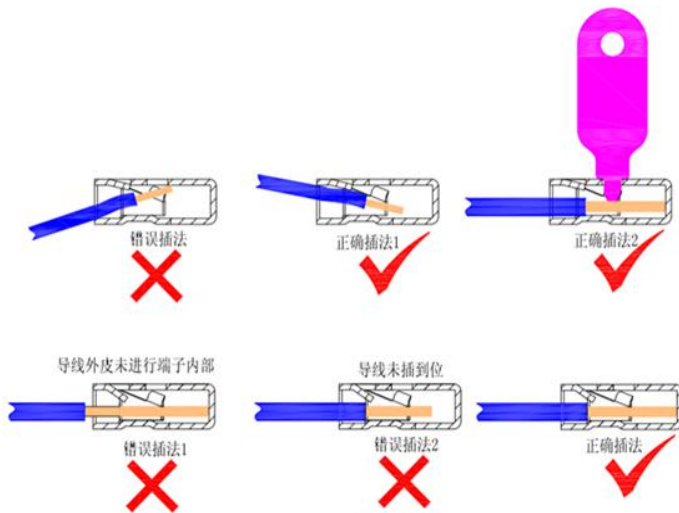
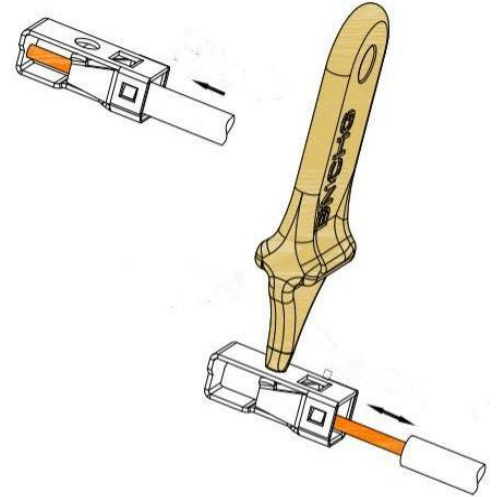
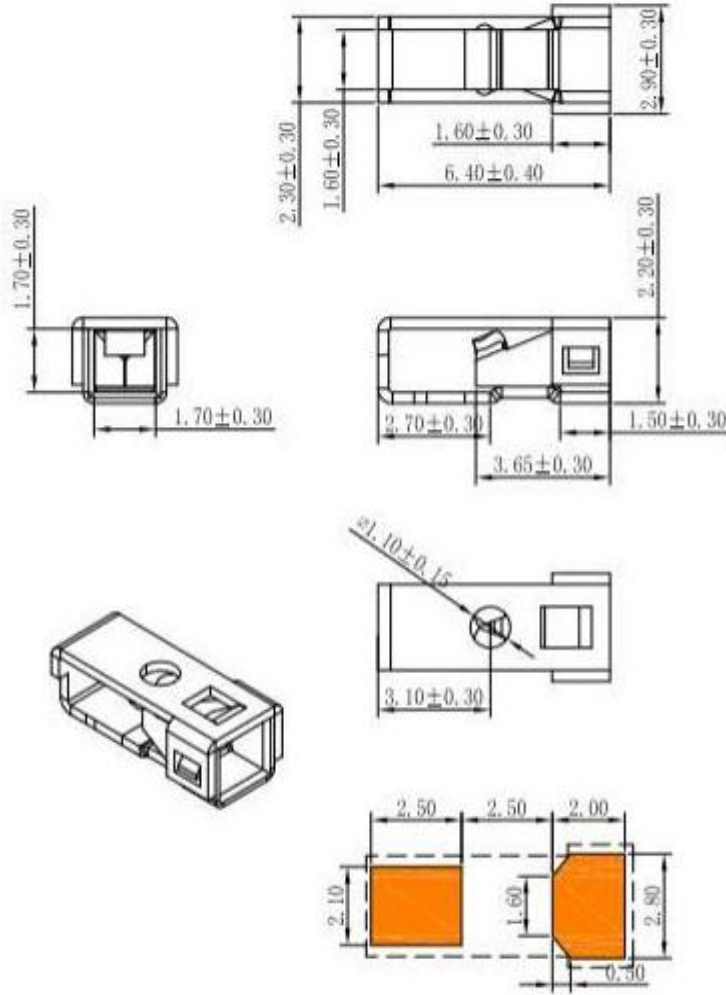
Product  
parameters:

Appearance		
Color	silver white	
Strip length	4-5 mm	
number for connection wire	1	
Material		
Clamp	Phosphor bronze, tin-plated	
Electrical	IEC	UL1977
Voltage (V)	250v	300v
Current (A)	3A	
Rated wiring area (mm <sup>2</sup> )	0.14~0.34 (single )	
Rated wiring area (mm <sup>2</sup> )	AWG 26-22 (Sol.)	
Mechanical		
the angle of input hole and PCB	0°	
connection	Cage Clamp	
temperature range	-60°C~+130°C	
Packing	in reel	

It is specially designed for narrow space of LED lighting (**patent product**)

1. apply to narrow sapce of led lighting;
2. quick connect to the wires;
3. packing in reel, automaitc welding;
4. there is a hole on surface, which is used to take off the wire

Compact SMT LED Connector B14







— —  
— —

