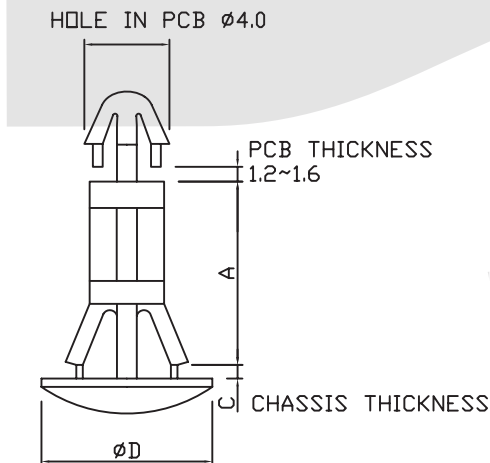


PCB Support Series

KLS8-0239 PCB Support Series

Material: UL approved Nylon 66, 94V-2
TO Fit 5.5mm hole

Unit:mm



Model No.	A	C	D	Package
BSC-03	3.5	1.0~2.0	10	1000 PCS
BSC-05	5	1.0~2.0	10	1000 PCS
BSC-06	6	1.0~2.0	10	1000 PCS
BSC-07	7	1.0~2.0	10	1000 PCS
BSC-08	8	1.0~2.0	10	1000 PCS
BSC-10	10	1.0~2.0	10	1000 PCS
BSC-12	12	1.0~2.0	10	1000 PCS
BSC-14	14	1.0~2.0	10	1000 PCS
BSC-16	16	1.0~2.0	10	1000 PCS
BSC-18	18	1.0~2.0	10	1000 PCS

ORDER INFORMATION

KLS8-0239 - BSC-03

