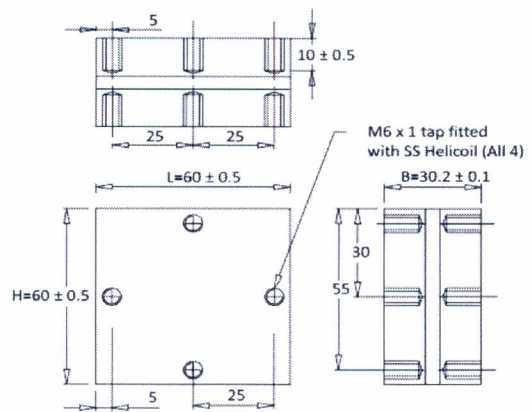


Capacitor Specifications	Power Film Capacitors
Design Reference number *	FP-3-400-007 Rev 0 (* to be specified during ordering)
Date	21.02.2018
Description	1.0 μ F \pm 10% 800VRMS 650ARMS 400 KVAR Terminal Style 4H
Customer	Ozdisan

Electrical Specifications

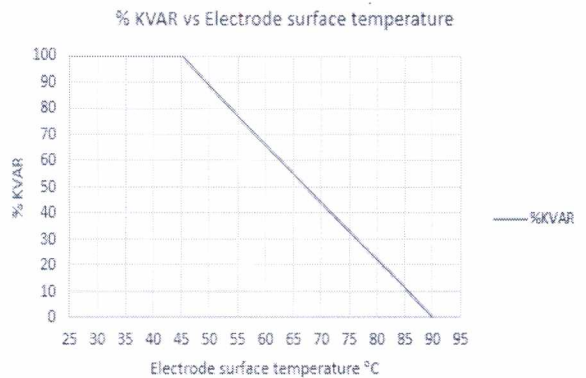
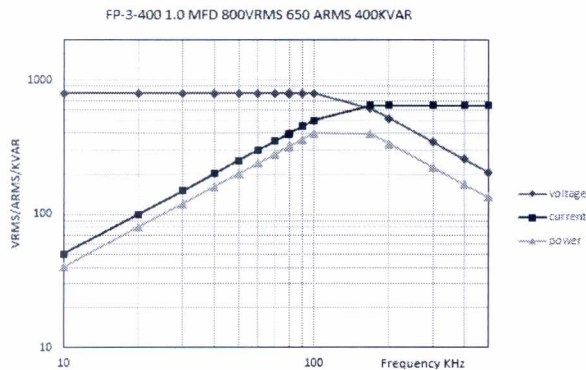
Nominal Capacitance @ 1 KHz & 25°C	1.0 μ F
Capacitance Tolerance	\pm 10%
Rated Voltage	800 VRMS
Rated Current	650 ARMS
Rated Power	400KVAR
Frequency range for 400 KVAR	100-168 KHz
ESR	\leq 0.5m Ω
Cooling	Conduction
Maximum core temperature	+85°C

Terminal Style : 4H

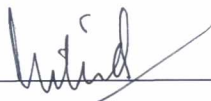


Dimensions in mm

Derating Graphs



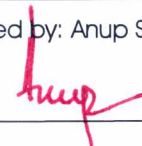
Prepared by: Milind



Verified by: Prassana



Approved by: Anup Sachdev



MASTER COPY

